

Agro Point for Seeding Discs

Product description

This sealed and relubrication-free unit is perfect for minimum cultivation. It is fully assembled unit with a metal-sheet flange.

Unit's primary feature contains:

- Double-row Angular Contact Ball Bearing, providing a higher carrying capacity compared to conventional one-row designs.
- Protective cap made from special robust plastic that helps extend bearing service life, reducing maintenance and repairs.
- 100% control of the bearing and flange overlap.
- Anti-corrosion protection.

Advantages

Extended product reliability

FKL testing confirms that FKL Agro Point for seeding discs will last up to 10 seeding seasons at optimal conditions of exploitation. Plastic cap in combination with bearing sealing system keeps contaminants out of the bearing and extends service life of the product.

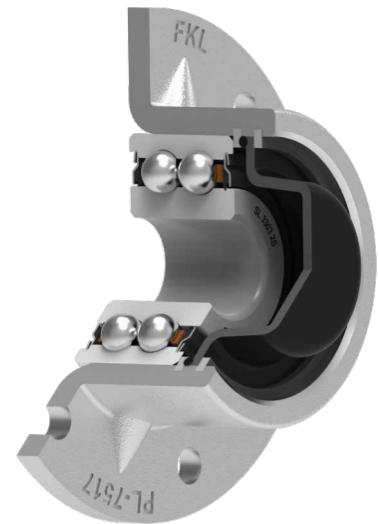
Greater profit opportunities

FKL Agro point is already a fully assembled unit which allows to the Buyer to reduce engineering and assembly costs, minimizes the time spent for purchasing of parts from different suppliers and finally, maximizes profit rate of the Buyer using of high quality level unit per optimized price.



Seal provides protection from many external impacts:

*Mud
Dust
Sand and stone*



Easy mounting and replace

Because the FKL Agro Point is single product (pre-assembled), it is easy to mount and replace. It's maintenance free unit which allows to the owner to reduce grease consumption and reduces the risk of soil and groundwater contamination.

Seeding machine applications

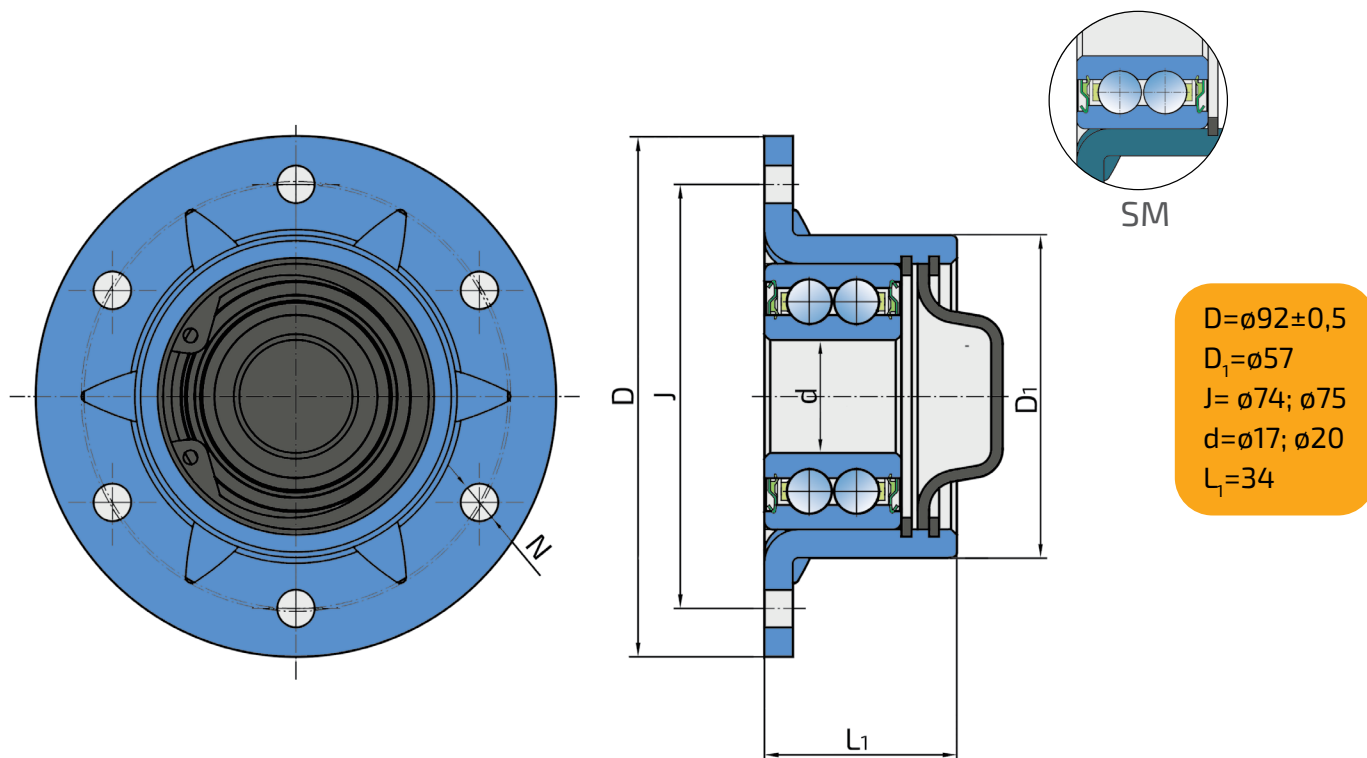
Seeding/coulter discs
Opener discs
Closing discs
Row markers

Mounting instructions:

- M6x1 screws mounting torque 10,4 Nm
- M16x1,5 nut torque 110 Nm
- Self locking nut to be used

Additional options

An optional metal protective cap is also available on demand. SL 3303 2S and SL 3303-2S-20 are provided as a single part without flanged unit.



D=ø92±0,5
D₁=ø57
J= ø74; ø75
d=ø17; ø20
L₁=34

Designation	Flange holes N	Basic load ratings kN		Bearing unit	Bore diameter mm
		dynamic C	static C ₀		
SL 3303 2S		19,5	12,6	bearing	17
SL 3303-2S-20		19,5	12,6	bearing	20
PL-7517	6x6,7H12	19,5	12,6	flanged unit	17
PL-7520	6x6,7H12	19,5	12,6	flanged unit	20
PL-7517-SM	6x6,7H12	19,5	12,6	flanged unit	17
PL-7420-SM	9	19,5	12,6	flanged unit	20
PL-7520-SM	6x6,7H12	19,5	12,6	flanged unit	20

