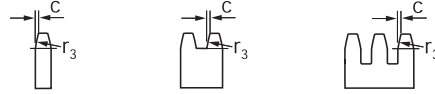


Taper Bore Sprockets

BS Taper Bore Sprockets

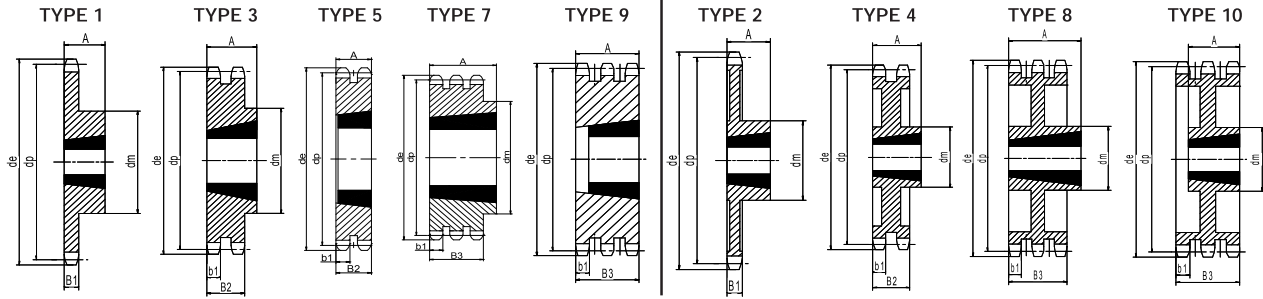
06B 3/8" x 7/32"

SPROCKET	mm	CHAIN	mm
Tooth Radius r_3	10.0	Pitch	9.525
Chamfer c	1.0	Width Between inner Plates	5.720
Tooth Width b1	5.2	Roller Diameter	6.350
Tooth Width B1	5.3		
Tooth Width B2	15.4		
Tooth Width B3	25.6		



TYPES : 1, 3, 5, 7, 9 C45 STEEL

TYPES : 2, 4, 8, 10 GG22 CAST IRON



Teeth	Outer Dia de	Pitch Dia dp	Simplex					Duplex					Triplex				
			Ref	Hub Dia dm	Length thro' Bore A	Taper Bush	Type	Ref	Hub Dia dm	Length thro' Bore A	Taper Bush	Type	Ref	Hub Dia dm	Length thro' Bore A	Taper Bush	Type
17	55.3	51.83	31-17	45*	22	1008	1	32-17	41*	22	1008	3	33-17	-	25.6	1008	9
18	58.3	54.85	31-18	45	22	1008	1	32-18	43	22	1008	3	-	-	-	-	-
19	61.3	57.87	31-19	45	22	1008	1	32-19	46	22	1008	3	33-19	-	25.6	1008	9
20	64.3	60.89	31-20	46	22	1008	1	32-20	48	22	1008	3	-	-	-	-	-
21	68.0	63.91	31-21	46	22	1008	1	32-21	49	22	1008	3	33-21	-	25.6	1008	9
22	71.0	66.93	31-22	50	22	1108	1	32-22	52	22	1108	3	-	-	-	-	-
23	73.5	69.95	31-23	63*	25	1210	1	32-23	59	25	1210	3	33-23	-	25.6	1210	9
24	77.0	72.97	31-24	63	25	1210	1	32-24	61	25	1210	3	-	-	-	-	-
25	80.0	76.02	31-25	63	25	1210	1	32-25	64	25	1210	3	33-25	-	25.6	1210	9
26	83.0	79.02	31-26	63	25	1210	1	32-26	65	25	1210	3	-	-	-	-	-
27	86.0	82.02	31-27	63	25	1210	1	32-27	70	25	1210	3	33-27	-	25.6	1210	9
28	89.0	85.07	31-28	63	25	1210	1	32-28	70	25	1210	3	-	-	-	-	-
30	94.7	91.12	31-30	63	25	1210	1	32-30	75	25	1210	3	33-30	79	38.0	1615	7
38	119.5	115.35	31-38	70	25	1210	1	32-38	80	25	1610	3	33-38	90	36.0	1615	7
45	140.7	136.55	31-45	70	25	1210	1	32-45	80	25	1610	3	33-45	95	32.0	2012	7
57	176.9	172.91	31-57	70	25	1210	1	32-57	80	25	1610	3	33-57	95	32.0	2012	7
76	234.9	230.49	31-76	70	25	1210	1	32-76	80	25	1610	3	33-76	95	32.0	2012	7
38	119.5	115.35	31-38	70	25	1210	2	32-38	80	25	1610	4	33-38	80	25.6	1610	10
45	140.7	136.55	31-45	70	25	1210	2	32-45	80	25	1610	4	33-45	80	25.6	1610	10
57	176.9	172.91	31-57	70	25	1210	2	32-57	80	25	1610	4	33-57	80	25.6	1610	10
76	234.9	230.49	31-76	70	25	1210	2	32-76	80	25	1610	4	33-76	80	38.0	1615	8
95	292.5	288.08	31-95	80	25	1210	2	32-95	90	25	1610	4	-	-	-	-	-
114	349.6	345.68	31-114	80	25	1610	2	32-114	95	32	2012	4	33-114	95	32.0	2012	8

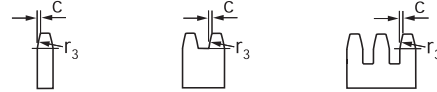
*denotes undercut

Taper Bore Sprockets

BS Taper Bore Sprockets

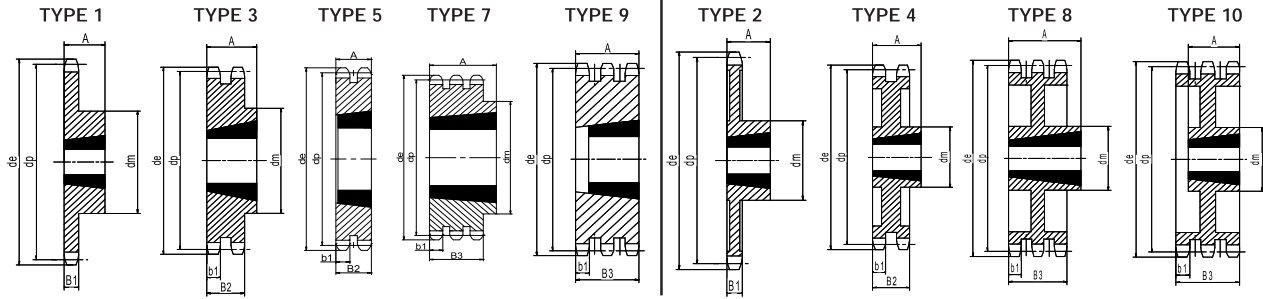
08B 1/2" x 5/16"

SPROCKET	mm	CHAIN	mm
Tooth Radius r_3	13.0	Pitch	12.700
Chamfer c	1.3	Width Between inner Plates	7.750
Tooth Width b_1	7.0	Roller Diameter	8.510
Tooth Width B_1	7.2		
Tooth Width B_2	21.0		
Tooth Width B_3	34.9		



TYPES : 1, 3, 5, 7, 9 C45 STEEL

TYPES : 2, 4, 8, 10 GG22 CAST IRON



Teeth	Outer Dia de	Pitch Dia dp	Simplex					Duplex					Triplex					
			Ref	Hub Dia dm	Length thro' Bore A	Taper Bush	Type	Ref	Hub Dia dm	Length thro' Bore A	Taper Bush	Type	Ref	Hub Dia dm	Length thro' Bore A	Taper Bush	Type	
14	61.8	57.07	41-14	45	22	1008	1	-	-	-	-	-	-	-	-	-	-	-
15	65.5	61.90	41-15	45	22	1008	1	42-15	46	22	1008	3	43-15	-	34.9	1008	9	
16	69.5	65.10	41-16	50	22	1108	1	42-16	50	22	1108	3	-	-	-	-	-	
17	73.6	69.11	41-17	60	25	1210	1	42-17	56*	25	1210	3	43-17	-	34.9	1210	9	
18	77.8	73.14	41-18	60*	25	1210	1	42-18	60*	25	1210	3	-	-	-	-	-	
19	81.7	77.16	41-19	63	25	1210	1	42-19	62	25	1210	3	43-19	-	34.9	1210	9	
20	85.8	81.19	41-20	71*	25	1610	1	42-20	66*	25	1610	3	-	-	-	-	-	
21	89.7	85.22	41-21	71	25	1610	1	42-21	70	25	1610	3	43-21	-	34.9	1610	9	
22	93.8	89.24	41-22	71	25	1610	1	42-22	76	25	1610	3	-	-	-	-	-	
23	98.2	93.27	41-23	76	25	1610	1	42-23	79	25	1610	3	43-23	-	34.9	1610	9	
24	101.8	97.29	41-24	76	25	1610	1	42-24	84	25	1610	3	-	-	-	-	-	
25	105.8	101.33	41-25	76	25	1610	1	42-25	87	32	2012	3	43-25	-	34.9	2012	9	
26	110.0	105.36	41-26	76	25	1610	1	42-26	87	32	2012	3	-	-	-	-	-	
27	114.0	109.40	41-27	76	25	1610	1	42-27	87	32	2012	3	43-27	-	34.9	2012	9	
28	118.0	113.42	41-28	90	32	2012	1	42-28	87	32	2012	3	-	-	-	-	-	
30	126.1	121.50	41-30	90	32	2012	1	42-30	87	32	2012	3	43-30	-	34.9	2012	9	
31	130.2	125.54	41-31	90	32	2012	1	42-31	87	32	2012	3	43-31	-	34.9	2012	9	
38	158.6	153.80	41-38	90	32	2012	1	42-38	100	32	2012	3	43-38	-	34.9	2012	9	
45	188.0	182.07	41-45	100	32	2012	1	42-45	100	32	2012	3	43-45	110	45.0	2517	7	
57	236.4	230.54	41-57	100	32	2012	1	42-57	100	32	2012	3	43-57	110	45.0	2517	7	
76	313.3	307.33	41-76	100	32	2012	1	42-76	100	32	2012	3	43-76	110	45.0	2517	7	
38	158.6	153.80	41-38	95	32	2012	2	42-38	95	32	2012	4	43-38	-	34.9	2012	10	
45	188.0	182.07	41-45	95	32	2012	2	42-45	100	32	2012	4	43-45	-	45.0	2517	8	
57	236.4	230.54	41-57	100	32	2012	2	42-57	100	32	2012	4	43-57	-	45.0	2517	8	
76	313.3	307.33	41-76	100	32	2012	2	42-76	100	32	2012	4	43-76	-	45.0	2517	8	
95	390.1	384.11	41-95	100	32	2012	2	42-95	100	32	2012	4	43-95	-	34.9	2012	8	
114	400.9	460.90	41-114	110	45	2517	2	42-114	110	45	2517	4	-	-	-	-	-	

*denotes undercut

Taper Bore Sprockets

BS Taper Bore Sprockets

10B	5/8" x 3/8"		
SPROCKET	mm	CHAIN	mm
Tooth Radius r_3	16.0	Pitch	15.875
Chamfer c	1.6	Width Between inner Plates	9.650
Tooth Width b1	9.0	Roller Diameter	10.160
Tooth Width B1	9.1		
Tooth Width B2	25.5		
Tooth Width B3	42.1		

TYPES : 1, 3, 5, 7, 9 C45 STEEL

TYPES : 2, 4, 8, 10 GG22 CAST IRON

Teeth	Outer Dia de	Pitch Dia dp	Simplex					Duplex					Triplex				
			Ref	Hub Dia dm	Length thro' Bore A	Taper Bush	Type	Ref	Hub Dia dm	Length thro' Bore A	Taper Bush	Type	Ref	Hub Dia dm	Length thro' Bore A	Taper Bush	Type
13	73.0	66.32	51-13	47	22	1008	1	-	-	-	-	-	-	-	-	-	-
14	78.0	71.34	51-14	52	22	1108	1	-	-	-	-	-	-	-	-	-	-
15	83.0	76.36	51-15	60*	25	1210	1	52-15	-	25.5	1210	5	53-15	-	42.1	1210	9
16	88.0	81.37	51-16	70*	25	1610	1	52-16	-	25.5	1610	5	-	-	-	-	-
17	93.0	86.36	51-17	71*	25	1610	1	52-17	-	25.5	1610	5	53-17	-	42.1	1210	9
18	98.3	91.42	51-18	75*	25	1610	1	52-18	-	25.5	1610	5	-	-	-	-	-
19	103.3	96.45	51-19	75	25	1610	1	52-19	-	25.5	1610	5	53-19	-	42.1	1615	9
20	108.4	101.49	51-20	75	25	1610	1	52-20	-	25.5	1610	5	-	-	-	-	-
21	113.4	106.52	51-21	76	25	1610	1	52-21	-	25.5	1610	5	53-21	-	42.1	1615	9
22	118.0	111.55	51-22	76	25	1610	1	52-22	-	25.5	1610	5	-	-	-	-	-
23	123.4	116.58	51-23	76	25	1610	1	52-23	-	25.5	1610	5	53-23	-	42.1	2012	9
24	128.3	121.62	51-24	90	25	1610	1	52-24	90	32	2012	3	-	-	-	-	-
25	134.0	126.66	51-25	90	32	2012	1	52-25	90	32	2012	3	53-25	105	45	2517	7
26	139.0	131.70	51-26	90	32	2012	1	52-26	90	32	2012	3	-	-	-	-	-
27	144.0	136.75	51-27	90	32	2012	1	52-27	90	32	2012	3	53-27	110	45	2517	7
28	148.7	141.78	51-28	90	32	2012	1	52-28	90	32	2012	3	-	-	-	-	-
29	153.8	146.83	51-29	90	32	2012	1	52-29	90	32	2012	3	53-29	120	45	2517	7
30	158.8	151.87	51-30	90	32	2012	1	52-30	90	32	2012	3	53-30	120	45	2517	7
38	199.2	192.24	51-38	100	32	2012	1	52-38	110	45	2517	3	53-38	110	45	2517	7
45	235.0	227.58	51-45	100	32	2012	1	52-45	110	45	2517	3	53-45	110	45	2517	7
57	296.0	288.18	51-57	100	32	2012	1	52-57	110	45	2517	3	53-57	110	45	2517	7
76	392.1	384.16	51-76	100	32	2012	1	52-76	110	45	2517	3	53-76	110	45	2517	7
38	199.2	192.24	51-38	100	32	2012	2	52-38	110	45	2517	4	53-38	110	45	2517	8
45	235.0	227.58	51-45	100	32	2012	2	52-45	110	45	2517	4	53-45	110	45	2517	8
57	296.0	288.18	51-57	100	32	2012	2	52-57	110	45	2517	4	53-57	110	45	2517	8
76	392.1	384.16	51-76	100	32	2012	2	52-76	110	45	2517	4	53-76	110	45	2517	8
95	488.5	480.14	51-95	110	45	2517	2	52-95	110	45	2517	4	-	-	-	-	-
114	584.1	576.13	51-114	110	45	2517	2	52-114	110	45	2517	4	-	-	-	-	-

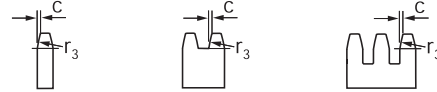
*denotes undercut

Taper Bore Sprockets

BS Taper Bore Sprockets

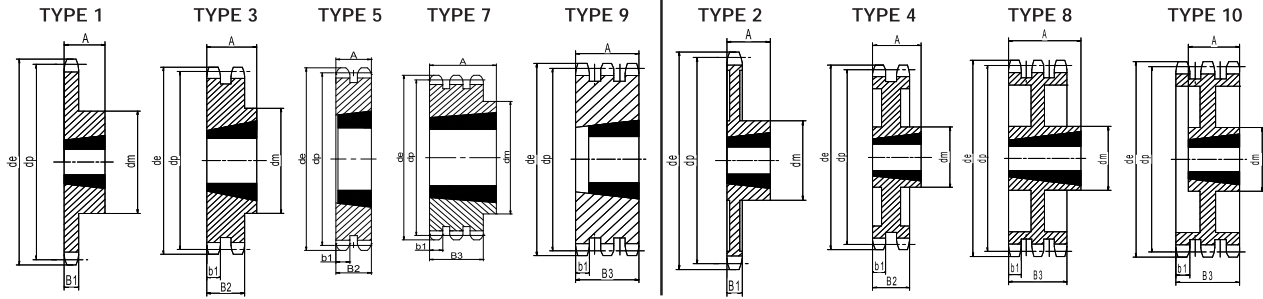
12B 3/4" x 7/16"

SPROCKET	mm	CHAIN	mm
Tooth Radius r_3	19.0	Pitch	19.050
Chamfer c	2.0	Width Between inner Plates	11.680
Tooth Width b_1	10.8	Roller Diameter	12.070
Tooth Width B_1	11.1		
Tooth Width B_2	30.3		
Tooth Width B_3	49.8		



TYPES : 1, 3, 5, 7, 9 C45 STEEL

TYPES : 2, 4, 8, 10 GG22 CAST IRON



Teeth	Outer Dia de	Pitch Dia dp	Simplex					Duplex					Triplex					
			Ref	Hub Dia dm	Length thro' Bore A	Taper Bush	Type	Ref	Hub Dia dm	Length thro' Bore A	Taper Bush	Type	Ref	Hub Dia dm	Length thro' Bore A	Taper Bush	Type	
13	87.5	79.59	61-13	60	25	1210	1	-	-	-	-	-	-	-	-	-	-	-
14	93.6	85.61	61-14	70*	25	1610	1	-	-	-	-	-	-	-	-	-	-	-
15	99.8	91.63	61-15	70	25	1610	1	62-15	-	30.3	1610	5	63-15	-	49.8	1615	9	-
16	105.5	97.65	61-16	75	25	1610	1	62-16	-	30.3	1610	5	-	-	-	-	-	-
17	111.5	103.67	61-17	76	25	1610	1	62-17	-	30.3	1610	5	63-17	-	49.8	1615	9	-
18	118.0	109.71	61-18	90	32	2012	1	62-18	90	32	2012	3	-	-	-	-	-	-
19	124.2	115.75	61-19	90	32	2012	1	62-19	90	32	2012	3	63-19	-	49.8	2012	9	-
20	129.7	121.78	61-20	90	32	2012	1	62-20	108	45	2517	3	-	-	-	-	-	-
21	136.0	127.82	61-21	102	45	2517	1	62-21	108	45	2517	3	63-21	-	49.8	2517	9	-
22	141.8	133.86	61-22	102	45	2517	1	62-22	108	45	2517	3	-	-	-	-	-	-
23	149.0	139.90	61-23	108	45	2517	1	62-23	108	45	2517	3	63-23	-	49.8	2517	9	-
24	153.9	145.94	61-24	108	45	2517	1	62-24	108	45	2517	3	-	-	-	-	-	-
25	160.0	152.00	61-25	108	45	2517	1	62-25	108	45	2517	3	63-25	-	49.8	2517	9	-
26	165.9	158.04	61-26	108	45	2517	1	62-26	108	45	2517	3	-	-	-	-	-	-
27	172.3	164.00	61-27	108	45	2517	1	62-27	108	45	2517	3	63-27	140	51	3020	7	-
28	178.0	170.13	61-28	108	45	2517	1	62-28	108	45	2517	3	-	-	-	-	-	-
29	184.1	176.19	61-29	108	45	2517	1	62-29	108	45	2517	3	63-29	140	51	3020	7	-
30	190.5	182.25	61-30	108	45	2517	1	62-30	108	45	2517	3	63-30	140	51	3020	7	-
38	239.0	230.69	61-38	108	45	2517	1	62-38	140	51	3020	3	63-38	140	51	3020	7	-
45	282.5	273.10	61-45	108	45	2517	1	62-45	140	51	3020	3	63-45	140	51	3020	7	-
57	355.4	345.81	61-57	108	45	2517	1	62-57	140	51	3020	3	63-57	140	51	3020	7	-
76	469.9	460.99	61-76	108	45	2517	1	62-76	140	51	3020	3	63-76	140	51	3020	7	-
30	190.5	182.25	61-30	108	45	2517	2	-	-	-	-	-	-	-	-	-	-	-
38	239.0	230.69	61-38	110	45	2517	2	62-38	140	51	3020	4	63-38	140	51	3020	8	-
45	282.5	273.10	61-45	108	45	2517	2	62-45	140	51	3020	4	63-45	140	51	3020	8	-
57	355.4	345.81	61-57	108	45	2517	2	62-57	140	51	3020	4	63-57	140	51	3020	8	-
76	469.9	460.99	61-76	108	45	2517	2	62-76	140	51	3020	4	63-76	140	51	3020	8	-
95	585.1	576.17	61-95	108	45	2517	2	62-95	140	51	3020	4	63-95	140	76	3030	8	-
114	700.6	691.36	61-114	140	51	3020	2	62-114	140	76	3030	4	63-114	165	89	3535	8	-

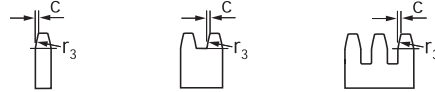
*denotes undercut

Taper Bore Sprockets

BS Taper Bore Sprockets

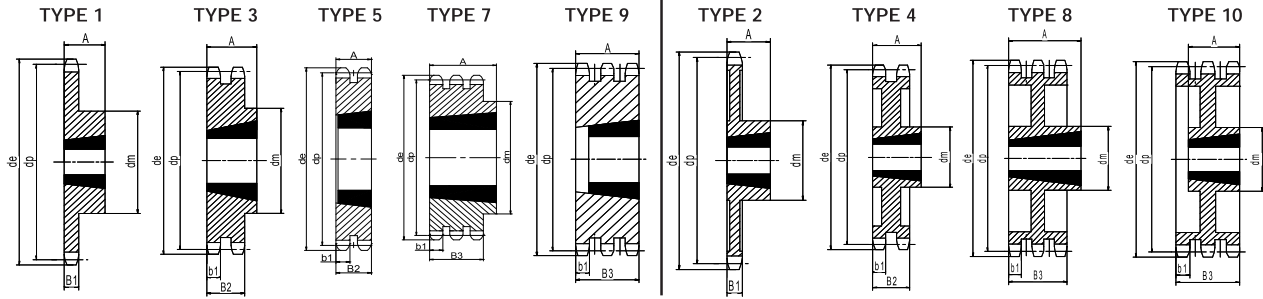
16B 1" x 17.02 mm

SPROCKET	mm	CHAIN	mm
Tooth Radius r_3	26.0	Pitch	25.400
Chamfer c	2.5	Width Between inner Plates	17.020
Tooth Width b_1	15.8	Roller Diameter	15.880
Tooth Width B_1	16.2		
Tooth Width B_2	47.7		
Tooth Width B_3	79.6		



TYPES : 1, 3, 5, 7, 9 C45 STEEL

TYPES : 2, 4, 8, 10 GG22 CAST IRON



Teeth	Outer Dia de	Pitch Dia dp	Simplex					Duplex					Triplex					
			Ref	Hub Dia dm	Length thro' Bore A	Taper Bush	Type	Ref	Hub Dia dm	Length thro' Bore A	Taper Bush	Type	Ref	Hub Dia dm	Length thro' Bore A	Taper Bush	Type	
13	117.0	106.12	81-13	73	38	1615	1	-	-	-	-	-	-	-	-	-	-	-
14	125.0	114.15	81-14	76	38	1615	1	-	-	-	-	-	-	-	-	-	-	-
15	133.0	122.17	81-15	76	38	1615	1	82-15	-	47.7	2012	5	83-15	-	79.6	2012	9	-
16	141.0	130.20	81-16	90	32	2012	1	82-16	-	47.7	2517	5	-	-	-	-	-	-
17	149.0	138.22	81-17	90	32	2012	1	82-17	-	47.7	2517	5	83-17	-	79.6	2517	9	-
18	157.0	146.28	81-18	108	45	2517	1	82-18	-	47.7	2517	5	-	-	-	-	-	-
19	165.2	154.33	81-19	108	45	2517	1	82-19	-	47.7	2517	5	83-19	-	79.6	3030	9	-
20	173.2	162.38	81-20	108	45	2517	1	82-20	-	47.7	2517	5	-	-	-	-	-	-
21	181.2	170.43	81-21	110	45	2517	1	82-21	140	51	3020	3	83-21	-	79.6	3030	9	-
22	189.3	178.48	81-22	110	45	2517	1	82-22	140	51	3020	3	-	-	-	-	-	-
23	197.5	186.53	81-23	110	45	2517	1	82-23	140	51	3020	3	83-23	159	89	3535	7	-
24	205.5	194.59	81-24	110	45	2517	1	82-24	140	51	3020	3	-	-	-	-	-	-
25	213.5	202.66	81-25	110	45	2517	1	82-25	140	51	3020	3	83-25	175	89	3535	7	-
26	221.6	210.72	81-26	110	45	2517	1	82-26	140	51	3020	3	-	-	-	-	-	-
27	229.6	218.79	81-27	110	45	2517	1	82-27	140	51	3020	3	83-27	175	89	3535	7	-
28	237.7	226.85	81-28	110	45	2517	1	82-28	140	51	3020	3	-	-	-	-	-	-
30	254.0	243.00	81-30	140	51	3020	1	82-30	140	76	3030	3	83-30	175	89	3535	7	-
38	320.7	307.59	81-38	140	51	3020	1	82-38	140	76	3030	3	83-38	175	89	3535	7	-
45	377.1	360.13	81-45	140	51	3020	1	82-45	140	76	3030	3	83-45	215	102	4040	7	-
57	474.0	461.07	81-57	140	51	3020	1	82-57	175	89	3535	3	83-57	215	102	4040	7	-
76	627.0	614.65	81-76	140	51	3020	1	82-76	175	89	3535	3	83-76	215	102	4040	7	-
95	781.1	768.20	-	-	-	-	-	-	-	-	-	-	83-95	215	102	4040	7	-
30	254.0	243.00	-	-	-	-	-	-	-	-	-	-	83-30	175	89	3535	8	-
38	320.7	307.59	81-38	140	51	3020	2	82-38	140	76	3030	4	83-38	175	89	3535	8	-
45	377.1	364.13	81-45	140	51	3020	2	82-45	140	76	3030	4	83-45	215	102	4040	8	-
57	474.0	461.07	81-57	140	51	3020	2	82-57	175	89	3535	4	83-57	215	102	4040	8	-
76	627.0	614.65	81-76	140	51	3020	2	82-76	175	89	3535	4	83-76	215	102	4040	8	-
95	781.1	768.22	81-95	140	51	3020	2	82-95	215	102	4040	4	83-95	215	102	4040	8	-

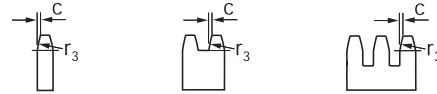
All dimensions in millimetres unless otherwise stated. Every effort has been taken to ensure that the data listed in this catalogue is correct. Challenge accepts no liability for any inaccuracies or damage caused.

Taper Bore Sprockets

BS Taper Bore Sprockets

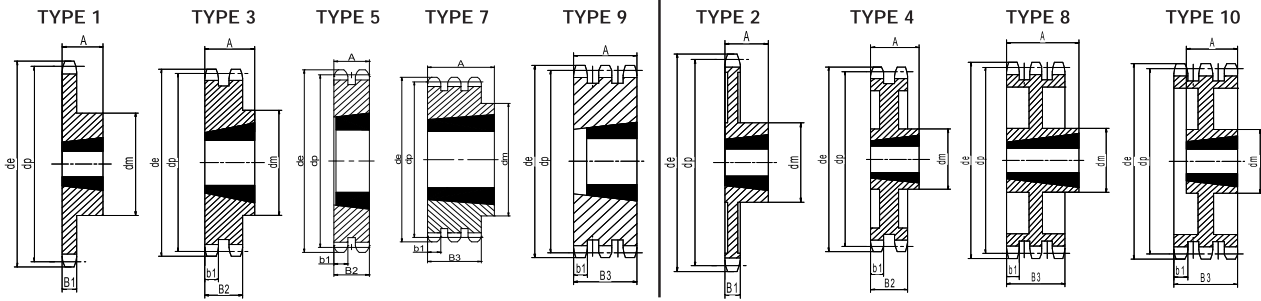
20B 1.1/4" x 3/4"

SPROCKET	mm	CHAIN	mm
Tooth Radius r_3	32.0	Pitch	31.750
Chamfer c	3.5	Width Between inner Plates	19.560
Tooth Width b_1	18.2	Roller Diameter	19.050
Tooth Width B_1	18.5		
Tooth Width B_2	54.6		
Tooth Width B_3	91.0		



TYPES : 1, 3, 5, 7, 9 C45 STEEL

TYPES : 2, 4, 8, 10 GG22 CAST IRON



Teeth	Outer Dia de	Pitch Dia dp	Simplex					Duplex					Triplex					
			Ref	Hub Dia dm	Length thro' Bore A	Taper Bush	Type	Ref	Hub Dia dm	Length thro' Bore A	Taper Bush	Type	Ref	Hub Dia dm	Length thro' Bore A	Taper Bush	Type	
13	147.8	132.65	101-13	90	32	2012	1	-	-	-	-	-	-	-	-	-	-	-
14	157.8	142.68	101-14	108	44	2517	1	-	-	-	-	-	-	-	-	-	-	-
15	167.9	152.72	101-15	108	44	2517	1	-	-	-	-	-	-	-	-	-	-	-
16	177.9	162.75	101-16	108	44	2517	1	-	-	-	-	-	-	-	-	-	-	-
17	187.9	172.78	101-17	108	44	2517	1	-	-	-	-	-	-	-	-	-	-	-
18	198.0	182.85	101-18	108	44	2517	1	-	-	-	-	-	-	-	-	-	-	-
19	208.1	192.91	101-19	110	44	2517	1	-	-	-	-	-	-	-	-	-	-	-
20	218.1	202.98	101-20	110	44	2517	1	-	-	-	-	-	-	-	-	-	-	-
21	228.2	213.04	101-21	110	44	2517	1	-	-	-	-	-	-	-	-	-	-	-
22	238.3	223.11	101-22	110	44	2517	1	-	-	-	-	-	-	-	-	-	-	-
23	248.3	233.17	101-23	110	44	2517	1	-	-	-	-	-	-	-	-	-	-	-
24	258.4	243.23	101-24	110	44	2517	1	-	-	-	-	-	-	-	-	-	-	-
25	268.5	253.33	101-25	110	44	2517	1	-	-	-	-	-	-	-	-	-	-	-
26	278.6	263.40	101-26	150	51	3020	1	-	-	-	-	-	-	-	-	-	-	-
27	288.6	273.80	101-27	150	51	3020	1	-	-	-	-	-	-	-	-	-	-	-
28	298.7	283.56	101-28	150	51	3020	1	-	-	-	-	-	-	-	-	-	-	-
29	308.8	293.65	101-29	150	51	3020	1	-	-	-	-	-	-	-	-	-	-	-
30	318.9	303.75	101-30	150	51	3020	1	-	-	-	-	-	-	-	-	-	-	-
35	369.4	354.20	101-35	150	51	3020	1	-	-	-	-	-	-	-	-	-	-	-
38	399.6	384.49	101-38	150	51	3020	1	-	-	-	-	-	-	-	-	-	-	-
45	470.3	455.17	101-45	150	51	3020	1	102-45	215	102	4040	3	-	-	-	-	-	-
57	591.5	576.36	101-57	150	51	3020	1	102-57	215	102	4040	3	-	-	-	-	-	-
76	783.5	768.32	101-76	150	51	3020	1	102-76	215	102	4040	3	-	-	-	-	-	-
38	399.6	384.49	101-38	160	51	3020	2	102-38	140	51	3020	6	103-38	140	91	3030	8	8
45	470.3	455.17	101-45	160	51	3020	2	102-45	140	51	3020	6	103-45	165	91	3535	8	8
57	591.5	576.36	101-57	160	51	3020	2	102-57	165	89	3535	4	103-57	165	91	3535	8	8
76	783.5	768.32	101-76	165	89	3535	2	-	-	-	-	-	103-76	165	91	3535	8	8

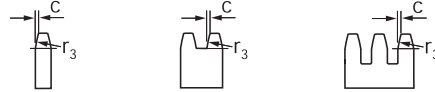
Every effort has been taken to ensure that the data listed in this catalogue is correct. Challenge accepts no liability for any inaccuracies or damage caused. All dimensions in millimetres unless otherwise stated.

Taper Bore Sprockets

BS Taper Bore Sprockets

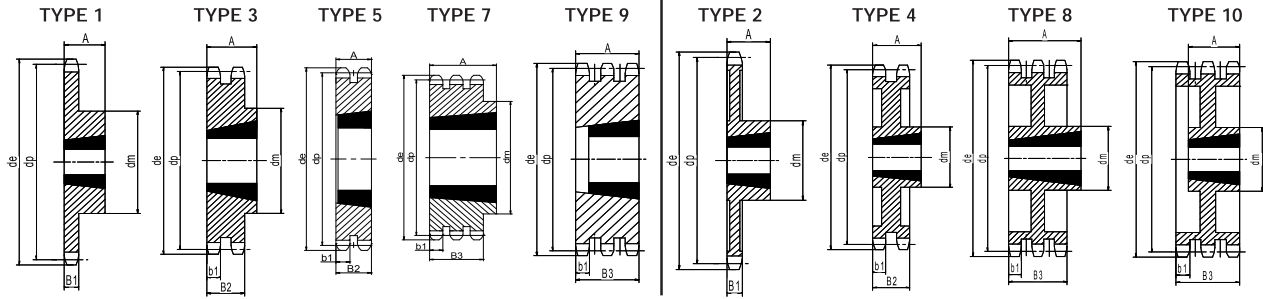
24B 1.1/2" x 1"

SPROCKET	mm	CHAIN	mm
Tooth Radius r_3	38.0	Pitch	38.1
Chamfer c	4.0	Width Between inner Plates	25.4
Tooth Width b1	23.6	Roller Diameter	25.4
Tooth Width B1	24.1		
Tooth Width B2	72.0		
Tooth Width B3	120.3		



TYPES : 1, 3, 5, 7, 9 C45 STEEL

TYPES : 2, 4, 8, 10 GG22 CAST IRON



Teeth	Outer Dia de	Pitch Dia dp	Simplex					Duplex					Triplex					
			Ref	Hub Dia dm	Length thro' Bore A	Taper Bush	Type	Ref	Hub Dia dm	Length thro' Bore A	Taper Bush	Type	Ref	Hub Dia dm	Length thro' Bore A	Taper Bush	Type	
13	174.2	159.18	121-13	110	44	2517	1	-	-	-	-	-	-	-	-	-	-	-
15	198.2	183.26	121-15	150	51	3020	1	-	-	-	-	-	-	-	-	-	-	-
17	222.3	207.34	121-17	165	89	3535	1	-	-	-	-	-	-	-	-	-	-	-
19	246.5	231.49	121-19	165	89	3535	1	-	-	-	-	-	-	-	-	-	-	-
21	270.6	255.65	121-21	165	89	3535	1	-	-	-	-	-	-	-	-	-	-	-
23	294.8	279.80	121-23	165	89	3535	1	-	-	-	-	-	-	-	-	-	-	-
25	319.0	304.00	121-25	165	89	3535	1	-	-	-	-	-	-	-	-	-	-	-
30	379.5	364.50	121-30	165	89	3535	1	-	-	-	-	-	-	-	-	-	-	-
45	561.3	546.20	121-45	215	102	4040	1	122-45	235	114	4545	3	-	-	-	-	-	-
57	706.5	691.63	121-57	235	114	4545	1	122-57	235	114	4545	3	-	-	-	-	-	-
76	936.9	921.98	121-76	235	114	4545	1	122-76	235	114	4545	3	-	-	-	-	-	-
38	476.2	461.39	121-38	215	102	4040	2	122-38	215	102	4040	4	123-38	215	102	4040	10	
45	561.3	546.20	121-45	215	102	4040	2	122-45	215	102	4040	4	123-45	215	120.3	4040	8	
57	706.5	691.63	121-57	215	102	4040	2	122-57	215	102	4040	4	123-57	215	120.3	4040	8	
76	936.9	921.98	121-76	215	102	4040	2	122-76	215	102	4040	4	123-76	215	120.3	4040	8	

All dimensions in millimetres unless otherwise stated. Every effort has been taken to ensure that the data listed in this catalogue is correct. Challenge accepts no liability for any inaccuracies or damage caused.

Pilot Bore Sprockets

BS Pilot Bore Sprockets

03B 5 x 2.5 mm

SPROCKET	mm	CHAIN	mm
Tooth Radius r_3	5.0	Pitch	5.000
Chamfer c	0.6	Width Between Inner Plates	2.500
Tooth Width B1	2.3	Roller Diameter	3.200

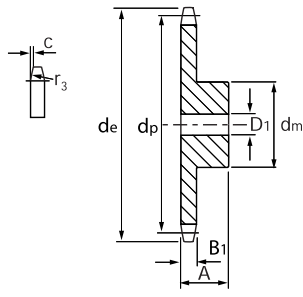
Type 1 (C45)

Teeth	Outer Dia de	Pitch Dia dp	Hub Dia dm	Simplex Length thro' Bore A	Stock Bore D1	Type
8	15.2	13.06	7	10	4	1
9	16.8	14.62	8	10	5	1
10	18.3	16.18	9	10	5	1
11	19.9	17.75	11	10	6	1
12	21.5	19.32	12	10	6	1
13	23.0	20.89	14	10	6	1
14	24.6	22.47	15	10	6	1
15	26.2	24.04	16	10	6	1
16	27.8	25.63	18	13	8	1
17	29.4	27.20	18	13	8	1
18	30.9	28.79	18	13	8	1
19	32.5	30.38	18	13	8	1
20	34.1	31.96	18	13	8	1
21	35.7	33.54	20	13	8	1
22	37.3	35.13	20	13	8	1
23	38.9	36.72	20	13	8	1
24	40.5	38.30	20	13	8	1
25	42.0	39.89	20	13	8	1
26	43.6	41.48	25	15	8	1
27	45.2	43.07	25	15	8	1
28	46.8	44.65	25	15	8	1
29	48.4	46.25	25	15	8	1
30	50.0	47.83	25	15	8	1
31	51.6	49.42	30	15	8	1
32	53.2	51.01	30	15	8	1
33	54.8	52.60	30	15	8	1
34	56.3	54.19	30	15	8	1
35	57.9	55.78	30	15	8	1
36	59.5	57.37	30	15	8	1
37	61.1	58.96	30	15	8	1
38	62.7	60.54	30	15	8	1
39	64.3	62.13	30	15	8	1
40	65.9	63.73	30	15	8	1

Pilot Bore Sprockets

BS Pilot Bore Sprockets

04B		6 x 2.8 mm	
SPROCKET	mm	CHAIN	mm
Tooth Radius r_3	6.0	Pitch	6.000
Chamfer c	0.7	Width Between Inner Plates	2.800
Tooth Width B1	2.6	Roller Diameter	4.000



Type 1 (C45)

Teeth	Outer Dia de	Pitch Dia dp	Hub Dia dm	Simplex Length thro' Bore A	Stock Bore D1	Type
8	18.0	15.67	9.8	10	5	1
9	19.9	17.54	11.5	10	5	1
10	21.7	19.42	13.0	10	6	1
11	23.6	21.30	14.0	10	6	1
12	25.4	23.18	16.0	10	6	1
13	27.3	25.05	18.0	10	6	1
14	29.2	26.96	20.0	10	6	1
15	31.1	28.86	20.0	10	6	1
16	33.0	30.76	20.0	13	8	1
17	35.0	32.65	20.0	13	8	1
18	36.9	34.55	20.0	13	8	1
19	38.8	36.44	20.0	13	8	1
20	40.7	38.34	20.0	13	8	1
21	42.6	40.25	25.0	13	8	1
22	44.5	42.16	25.0	13	8	1
23	46.4	44.06	25.0	13	8	1
24	48.3	45.96	25.0	13	8	1
25	50.2	47.87	25.0	13	8	1
26	52.1	49.77	30.0	15	8	1
27	54.0	51.67	30.0	15	8	1
28	55.9	53.58	30.0	15	8	1
29	57.8	55.50	30.0	15	8	1
30	59.8	57.42	30.0	15	8	1
31	61.7	59.31	30.0	15	10	1
32	63.6	61.21	30.0	15	10	1
33	65.5	63.11	30.0	15	10	1
34	67.4	65.02	30.0	15	10	1
35	69.3	66.93	30.0	15	10	1
36	71.2	68.84	30.0	15	10	1
37	73.1	70.75	30.0	15	10	1
38	75.0	72.66	30.0	15	10	1
39	76.9	74.56	30.0	15	10	1
40	78.9	76.47	30.0	15	10	1
45	88.5	86.01	40.0	18	12	1
50	98.0	95.55	50.0	20	12	1
57	111.4	108.93	50.0	20	12	1

Pilot Bore Sprockets

BS Pilot Bore Sprockets

05B		8 x 3 mm	
SPROCKET	mm	CHAIN	mm
Tooth Radius r_3	8.0	Pitch	8.000
Chamfer c	1.0	Width Between Inner Plates	3.000
Tooth Width b_1	2.7	Roller Diameter	5.000
Tooth Width B1	2.8		
Tooth Width B2	8.3		

Type 1 (C45) Type 1 (C45)

Teeth	Outer Dia d_e	Pitch Dia d_p	Simplex			Duplex			Type
			Hub Dia d_m	Length thro' Bore A	Stock Bore D1	Hub Dia d_m	Length thro' Bore A	Stock Bore D1	
8	24.0	20.90	13	12	6	12	18	6	1
9	26.6	23.39	15	12	6	15	18	6	1
10	29.2	25.89	17	12	6	17	18	8	1
11	31.7	28.39	18	13	7	19	18	8	1
12	34.2	30.91	20	13	7	21	18	8	1
13	36.7	33.42	23	13	7	24	18	8	1
14	39.2	35.95	25	13	7	26	18	8	1
15	41.7	38.48	28	13	7	29	18	8	1
16	44.3	41.01	30	14	8	32	20	10	1
17	46.8	43.53	30	14	8	34	20	10	1
18	49.3	46.07	30	14	8	37	20	10	1
19	51.9	48.61	30	14	8	39	20	10	1
20	54.4	51.14	30	14	8	40	20	10	1
21	57.0	53.67	35	14	8	40	20	10	1
22	59.5	56.21	35	14	8	40	20	10	1
23	62.0	58.75	35	14	8	40	20	10	1
24	64.6	61.29	35	14	8	40	20	10	1
25	67.5	63.83	35	14	8	40	20	10	1
26	69.5	66.37	40	16	10	50	22	12	1
27	72.2	68.91	40	16	10	50	22	12	1
28	74.8	71.45	40	16	10	50	22	12	1
29	77.3	73.99	40	16	10	50	22	12	1
30	79.8	76.53	40	16	10	50	22	12	1
31	82.4	79.08	40	16	12	60	22	12	1
32	84.9	81.61	40	16	12	60	22	12	1
33	87.5	84.16	40	16	12	60	22	12	1
34	90.0	86.70	40	16	12	60	22	12	1
35	92.5	89.24	40	16	12	60	22	12	1
36	95.0	91.79	40	16	12	60	22	12	1
37	97.6	94.33	40	16	12	60	22	12	1
38	100.2	96.88	40	16	12	60	22	12	1
39	102.7	99.42	40	16	12	60	22	12	1
40	105.2	101.97	40	16	12	60	22	12	1
45	118.0	114.69	60	20	12	-	-	-	1
50	130.7	127.41	60	20	12	-	-	-	1
57	148.6	145.22	80	20	14	-	-	-	1
76	197.9	193.59	78	34.4	-	-	-	-	1

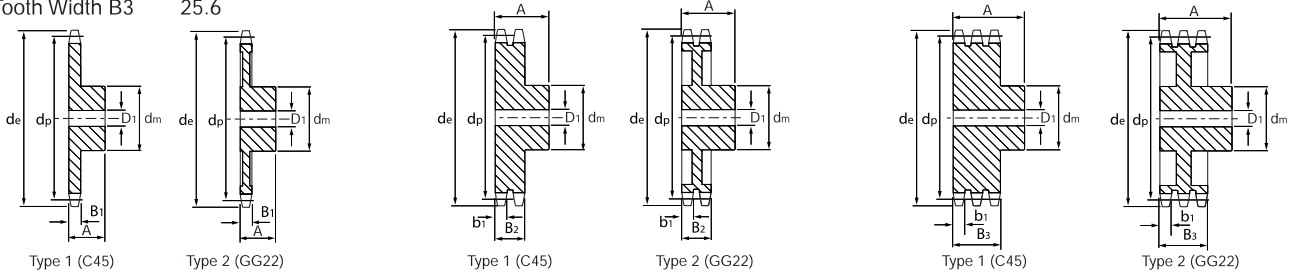
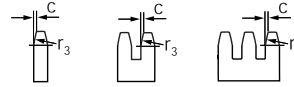
Every effort has been taken to ensure that the data listed in this catalogue is correct. Challenge accepts no liability for any inaccuracies or damage caused. All dimensions in millimetres unless otherwise stated.

Pilot Bore Sprockets

BS Pilot Bore Sprockets

06B 3/8" x 7/32"

SPROCKET	mm	CHAIN	mm
Tooth Radius r_3	10.0	Pitch	9.525
Chamfer c	1.0	Width Between Inner Plates	5.720
Tooth Width b1	5.2	Roller Diameter	6.350
Tooth Width B1	5.3		
Tooth Width B2	15.4		
Tooth Width B3	25.6		



Teeth	Outer Dia de	Pitch Dia dp	Simplex			Duplex			Triplex			Type
			Hub Dia dm	Length thro' Bore A	Stock Bore D1	Hub Dia dm	Length thro' Bore A	Stock Bore D1	Hub Dia dm	Length thro' Bore A	Stock Bore D1	
8	28.0	24.89	15	22	8	15	22	8	15	32	8	1
9	31.0	27.85	18	22	8	18	22	8	18	32	8	1
10	34.0	30.82	20	22	8	20	22	8	20	32	10	1
11	37.0	33.80	22	25	8	22	25	10	22	35	12	1
12	40.0	36.80	25	25	8	25	25	10	25	35	12	1
13	43.0	39.80	28	25	10	28	25	10	28	35	12	1
14	46.3	42.80	31	25	10	31	25	10	31	35	12	1
15	49.3	45.81	34	25	10	34	25	10	34	35	12	1
16	52.3	48.82	37	28	10	37	30	12	37	35	12	1
17	55.3	51.83	40	28	10	40	30	12	40	35	12	1
18	58.3	54.85	43	28	10	43	30	12	43	35	12	1
19	61.3	57.87	45	28	10	46	30	12	46	35	12	1
20	64.3	60.89	46	28	10	49	30	12	49	35	12	1
21	68.0	63.91	48	28	12	52	30	16	52	40	16	1
22	71.0	66.93	50	28	12	55	30	16	55	40	16	1
23	73.5	69.95	52	28	12	58	30	16	58	40	16	1
24	77.0	72.97	54	28	12	61	30	16	61	40	16	1
25	80.0	76.00	57	28	12	64	30	16	64	40	16	1
26	83.0	79.02	60	28	12	67	30	16	67	40	16	1
27	86.0	82.04	60	28	12	70	30	16	70	40	16	1
28	89.0	85.07	60	28	12	73	30	16	73	40	16	1
29	92.0	88.09	60	28	12	76	30	16	76	40	16	1
30	94.7	91.12	60	28	12	79	30	16	79	40	16	1
31	98.3	94.15	65	30	14	80	30	16	80	40	16	1
32	101.3	97.17	65	30	14	80	30	16	80	40	16	1
33	104.3	100.20	65	30	14	80	30	16	80	40	16	1
34	107.3	103.23	65	30	14	80	30	16	85	40	16	1
35	110.4	106.26	65	30	14	80	30	16	85	40	16	1
36	113.4	109.29	70	30	14	90	30	16	90	40	16	1
37	116.4	112.32	70	30	14	90	30	16	90	40	16	1
38	119.5	115.34	70	30	14	90	30	16	90	40	16	1
39	122.5	118.37	70	30	14	90	30	16	90	40	16	1
40	125.5	121.40	70	30	14	90	30	16	90	40	16	1
38	119.5	115.34	70	32	20	80	40	20	90	56	24	2
45	140.7	136.54	70	32	20	80	40	20	90	56	24	2
57	176.9	172.91	70	32	20	80	40	20	90	56	24	2
76	234.9	230.49	70	32	20	80	40	20	100	56	24	2
95	292.5	288.08	80	40	20	90	45	20	100	56	24	2
114	349.6	345.68	80	40	20	95	45	20	100	56	24	2

All dimensions in millimetres unless otherwise stated. Every effort has been taken to ensure that the data listed in this catalogue is correct. Challenge accepts no liability for any inaccuracies or damage caused.

Pilot Bore Sprockets

BS Pilot Bore Sprockets

081 **1/2" x 1/8"**

SPROCKET	mm	CHAIN	mm
Tooth Radius r_3	13.0	Pitch	12.700
Chamfer c	1.0	Width Between Inner Plates	3.300
Tooth Width B1	3.0	Roller Diameter	7.750

Type 1 (C45)

Teeth	Outer Dia de	Pitch Dia dp	Hub Dia dm	Simplex Length thro' Bore A	Stock Bore D1	Type
8	37.2	33.18	21	14	8	1
9	41.5	37.13	25	14	8	1
10	46.2	41.10	28	14	8	1
11	49.6	45.07	31	16	8	1
12	53.9	49.07	35	16	8	1
13	58.4	53.06	39	16	8	1
14	62.8	57.07	43	16	8	1
15	66.8	61.09	47	16	8	1
16	70.9	65.10	50	18	10	1
17	74.9	69.11	50	18	10	1
18	78.9	73.14	50	18	10	1
19	82.9	77.16	50	18	10	1
20	86.9	81.19	50	18	10	1
21	91.0	85.22	60	20	12	1
22	95.0	89.24	60	20	12	1
23	99.0	93.27	60	20	12	1
24	103.0	97.29	60	20	12	1
25	107.1	101.33	60	20	12	1
26	111.2	105.36	70	20	16	1
27	115.4	109.40	70	20	16	1
28	119.4	113.42	70	20	16	1
29	123.4	117.46	70	20	16	1
30	127.5	121.50	70	20	16	1
31	131.5	125.54	70	20	16	1
32	135.5	129.56	70	20	16	1
33	139.6	133.60	70	20	16	1
34	143.6	137.64	70	20	16	1
35	147.6	141.68	70	20	16	1
36	151.7	145.72	70	25	16	1
37	155.7	149.76	70	25	16	1
38	159.8	153.80	70	25	16	1
39	163.8	157.83	70	25	16	1
40	167.8	161.87	70	25	16	1

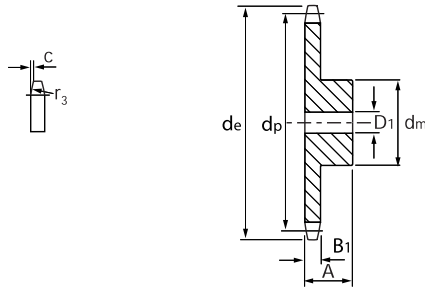
Every effort has been taken to ensure that the data listed in this catalogue is correct. Challenge accepts no liability for any inaccuracies or damage caused. All dimensions in millimetres unless otherwise stated.

Pilot Bore Sprockets

BS Pilot Bore Sprockets

083 / 084 1/2" x 3/16"

SPROCKET	mm	CHAIN	mm
Tooth Radius r_3	13.0	Pitch	12.700
Chamfer c	1.3	Width Between Inner Plates	4.880
Tooth Width B1	4.5	Roller Diameter	7.750



Type 1 (C45)

Teeth	Outer Dia de	Pitch Dia dp	Hub Dia dm	Simplex Length thro' Bore A	Stock Bore D1	Type
8	38.5	33.18	21	14	8	1
9	41.5	37.13	25	14	8	1
10	46.2	41.10	28	14	8	1
11	49.6	45.07	31	16	8	1
12	53.9	49.07	35	16	8	1
13	58.4	53.06	39	16	8	1
14	62.8	57.07	43	16	8	1
15	66.8	61.09	47	16	8	1
16	70.9	65.10	50	18	10	1
17	74.9	69.10	50	18	10	1
18	78.9	73.14	50	18	10	1
19	82.9	77.16	50	18	10	1
20	86.9	81.19	50	18	10	1
21	91.0	85.22	60	20	12	1
22	95.0	89.24	60	20	12	1
23	99.0	93.27	60	20	12	1
24	103.0	97.29	60	20	12	1
25	107.1	101.33	60	20	12	1
26	111.2	105.36	70	20	16	1
27	115.4	109.40	70	20	16	1
28	119.4	113.42	70	20	16	1
29	123.4	117.46	70	20	16	1
30	127.5	121.50	70	20	16	1
31	131.5	125.54	70	20	16	1
32	135.5	129.56	70	20	16	1
33	139.6	133.60	70	20	16	1
34	143.6	137.64	70	20	16	1
35	147.6	141.68	70	20	16	1
36	151.7	145.72	70	25	16	1
37	155.7	149.76	70	25	16	1
38	159.8	153.80	70	25	16	1
39	163.8	157.83	70	25	16	1
40	167.8	161.87	70	25	16	1

Pilot Bore Sprockets

BS Pilot Bore Sprockets

085 **1/2" x 1/4"**

SPROCKET	mm	CHAIN	mm
Tooth Radius r_3	13.0	Pitch	12.700
Chamfer c	1.3	Width Between Inner Plates	6.400
Tooth Width Bi	5.9	Roller Diameter	7.750

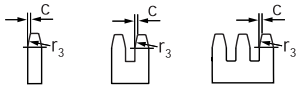
Type 1 (C45)

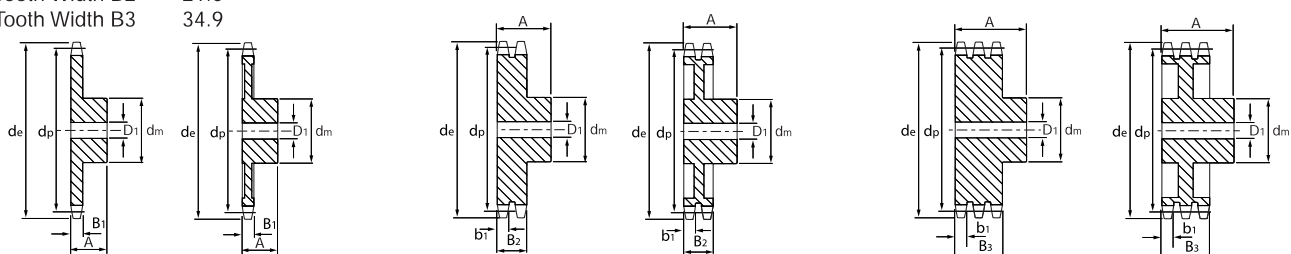
Teeth	Outer Dia de	Pitch Dia dp	Hub Dia dm	Simplex Length thro' Bore A	Stock Bore D1	Type
8	38.5	33.18	20	25	10	1
9	41.5	37.13	24	25	10	1
10	46.2	41.10	26	25	10	1
11	49.6	45.07	29	25	10	1
12	53.9	49.07	33	28	10	1
13	58.4	53.06	37	28	10	1
14	62.8	57.07	41	28	10	1
15	66.8	61.09	45	28	10	1
16	70.9	65.10	50	28	12	1
17	74.9	69.11	52	28	12	1
18	78.9	73.14	56	28	12	1
19	82.9	77.16	60	28	12	1
20	86.9	81.19	64	28	12	1
21	91.0	85.22	68	28	14	1
22	95.0	89.24	70	28	14	1
23	99.0	93.27	70	28	14	1
24	103.0	97.29	70	28	14	1
25	107.1	101.33	70	28	14	1
26	111.2	105.36	70	30	16	1
27	115.4	109.40	70	30	16	1
28	119.4	113.42	70	30	16	1
29	123.4	117.46	80	30	16	1
30	127.5	121.50	80	30	16	1
31	131.5	125.54	90	30	16	1
32	135.5	129.56	90	30	16	1
33	139.6	133.60	90	30	16	1
34	143.6	137.64	90	30	16	1
35	147.6	141.68	90	30	16	1
36	151.7	145.72	90	35	16	1
37	155.7	149.76	90	35	16	1
38	159.8	153.80	90	35	16	1
39	163.8	157.83	90	35	16	1
40	167.8	161.87	90	35	16	1

Pilot Bore Sprockets

BS Pilot Bore Sprockets

08B 1/2" x 5/16"

SPROCKET	mm	CHAIN	mm	
Tooth Radius r_3	13.0	Pitch	12.700	
Chamfer c	1.3	Width Between Inner Plates	7.750	
Tooth Width bl	7.0	Roller Diameter	8.510	
Tooth Width B1	7.2			
Tooth Width B2	21.0			
Tooth Width B3	34.9			



Type 1 (C45) Type 2 (GG22) Type 1 (C45) Type 2 (GG22) Type 1 (C45) Type 2 (GG22)

Teeth	Outer Dia de	Pitch Dia dp	Simplex			Duplex			Triplex			Type
			Hub Dia dm	Length thro' Bore A	Stock Bore D1	Hub Dia dm	Length thro' Bore A	Stock Bore D1	Hub Dia dm	Length thro' Bore A	Stock Bore D1	
8	37.2	33.18	20	25	10	20	32	10	20	46	10	1
9	41.0	37.13	24	25	10	24	32	10	24	46	12	1
10	45.2	41.10	26	25	10	28	32	10	28	46	12	1
11	48.7	45.07	29	25	10	32	35	12	32	50	16	1
12	53.0	49.07	33	28	10	35	35	12	35	50	16	1
13	57.4	53.06	37	28	10	38	35	12	38	50	16	1
14	61.8	57.07	41	28	10	42	35	12	42	50	16	1
15	65.5	61.09	45	28	10	46	35	12	46	50	16	1
16	69.5	65.10	50	28	12	50	38	14	50	50	16	1
17	73.6	69.11	52	28	12	54	38	14	54	50	16	1
18	77.8	73.14	56	28	12	58	38	14	58	50	16	1
19	81.7	77.16	60	28	12	62	38	14	62	50	16	1
20	85.8	81.19	64	28	12	66	38	14	66	50	16	1
21	89.7	85.22	68	28	14	70	40	16	70	55	20	1
22	93.8	89.24	70	28	14	70	40	16	70	55	20	1
23	98.2	93.27	70	28	14	70	40	16	70	55	20	1
24	101.8	97.29	70	28	14	75	40	16	75	55	20	1
25	105.8	101.33	70	28	14	80	40	16	80	55	20	1
26	110.0	105.36	70	30	16	85	40	20	85	55	20	1
27	114.0	109.40	70	30	16	85	40	20	85	55	20	1
28	118.0	113.42	70	30	16	90	40	20	90	55	20	1
29	122.0	117.46	80	30	16	95	40	20	95	55	20	1
30	126.1	121.50	80	30	16	100	40	20	100	55	20	1
31	130.2	125.54	90	30	16	100	40	20	110	55	20	1
32	134.3	129.56	90	30	16	100	40	20	110	55	20	1
33	138.4	133.60	90	30	16	100	40	20	110	55	20	1
34	142.6	137.64	90	30	16	100	40	20	110	55	20	1
35	146.7	141.68	90	30	16	100	40	20	110	55	20	1
36	151.0	145.72	90	35	20	100	40	20	120	55	25	1
37	154.6	149.76	90	35	20	100	40	20	120	55	25	1
38	158.6	153.80	90	35	20	100	40	20	120	55	25	1
39	162.7	157.83	90	35	20	100	40	20	120	55	25	1
40	166.8	161.87	90	35	20	100	40	20	120	55	25	1
38	158.6	153.80	70	40	24	90	50	24	100	60	24	2
45	188.0	182.07	70	40	24	90	50	24	100	60	24	2
57	236.4	230.54	70	40	24	90	50	24	100	60	24	2
76	313.3	307.33	80	40	24	100	56	24	100	60	24	2
95	390.1	384.11	80	45	24	100	56	24	120	67	24	2
114	466.9	460.90	80	45	25	100	63	25	120	67	25	2

All dimensions in millimetres unless otherwise stated. Every effort has been taken to ensure that the data listed in this catalogue is correct. Challenge accepts no liability for any inaccuracies or damage caused.

Pilot Bore Sprockets

BS Pilot Bore Sprockets

10B 5/8" x 3/8"

SPROCKET	mm	CHAIN	mm
Tooth Radius r_3	16.0	Pitch	15.875
Chamfer c	1.6	Width Between Inner Plates	9.650
Tooth Width b1	9.0	Roller Diameter	10.160
Tooth Width B1	9.1		
Tooth Width B2	25.5		
Tooth Width B3	42.1		

Teeth	Outer Dia de	Pitch Dia dp	Simplex			Duplex			Triplex			Type
			Hub Dia dm	Length thro' Bore A	Stock Bore D1	Hub Dia dm	Length thro' Bore A	Stock Bore D1	Hub Dia dm	Length thro' Bore A	Stock Bore D1	
8	47.0	41.48	25	25	10	25	40	12	25	55	12	1
9	52.6	46.42	30	25	10	30	40	12	30	55	12	1
10	57.5	51.37	35	25	10	35	40	12	35	55	16	1
11	63.0	56.34	37	30	12	39	40	14	39	55	16	1
12	68.0	61.34	42	30	12	44	40	14	44	55	16	1
13	73.0	66.32	47	30	12	49	40	14	49	55	16	1
14	78.0	71.34	52	30	12	54	40	14	54	55	16	1
15	83.0	76.36	57	30	12	59	40	14	59	55	16	1
16	88.0	81.37	60	30	14	64	45	16	64	60	16	1
17	93.0	86.39	60	30	14	69	45	16	69	60	16	1
18	98.3	91.42	70	30	14	74	45	16	74	60	16	1
19	103.3	96.45	70	30	14	79	45	16	79	60	16	1
20	108.4	101.49	75	30	14	84	45	16	84	60	16	1
21	113.4	106.52	75	30	16	85	45	16	85	60	20	1
22	118.0	111.55	80	30	16	90	45	16	90	60	20	1
23	123.4	116.58	80	30	16	95	45	16	95	60	20	1
24	128.3	121.62	80	30	16	100	45	16	100	60	20	1
25	134.0	126.66	80	30	16	105	45	16	105	60	20	1
26	139.0	131.70	85	35	20	110	45	20	110	60	20	1
27	144.0	136.75	85	35	20	110	45	20	110	60	20	1
28	148.7	141.78	90	35	20	115	45	20	115	60	20	1
29	153.8	146.83	90	35	20	115	45	20	115	60	20	1
30	158.8	151.87	90	35	20	120	45	20	120	60	20	1
31	163.9	156.92	95	35	20	120	45	20	120	60	20	1
32	168.9	161.95	95	35	20	120	45	20	120	60	20	1
33	174.5	167.00	95	35	20	120	45	20	120	60	20	1
34	179.0	172.05	95	35	20	120	45	20	120	60	20	1
35	184.1	177.10	95	35	20	120	45	20	120	60	20	1
36	189.1	182.15	100	35	20	120	45	20	120	60	25	1
37	194.2	187.20	100	35	20	120	45	20	120	60	25	1
38	199.2	192.24	100	35	20	120	45	20	120	60	25	1
39	204.2	197.29	100	35	20	120	45	20	120	60	25	1
40	209.3	202.34	100	35	20	120	45	20	120	60	25	1
38	199.2	192.24	80	40	24	100	50	30	100	60	32	2
45	235.0	227.58	80	40	24	100	50	30	100	60	32	2
57	296.0	288.18	90	45	24	100	56	30	100	63	32	2
76	392.1	384.16	90	50	24	100	63	30	110	67	35	2
95	488.5	480.14	100	56	24	110	63	30	125	70	35	2
114	584.1	576.13	100	56	25	125	70	30	125	80	35	2

Every effort has been taken to ensure that the data listed in this catalogue is correct. Challenge accepts no liability for any inaccuracies or damage caused. All dimensions in millimetres unless otherwise stated.

Pilot Bore Sprockets

BS Pilot Bore Sprockets

12B		3/4" x 7/16"	
SPROCKET	mm	CHAIN	mm
Tooth Radius r_3	19.0	Pitch	19.050
Chamfer c	2.0	Width Between Inner Plates	11.680
Tooth Width b1	10.8	Roller Diameter	12.070
Tooth Width B1	11.1		
Tooth Width B2	30.3		
Tooth Width B3	49.8		

Teeth	Outer Dia de	Pitch Dia dp	Simplex			Duplex			Triplex			Type
			Hub Dia dm	Length thro' Bore A	Stock Bore D1	Hub Dia dm	Length thro' Bore A	Stock Bore D1	Hub Dia dm	Length thro' Bore A	Stock Bore D1	
8	57.6	49.78	31	30	12	31	45	12	31	65	16	1
9	62.0	55.70	37	30	12	37	45	12	37	65	16	1
10	69.0	61.64	42	30	12	42	45	12	42	65	16	1
11	75.0	67.61	46	35	14	47	50	16	47	70	20	1
12	81.5	73.60	52	35	14	53	50	16	53	70	20	1
13	87.5	79.59	58	35	14	59	50	16	59	70	20	1
14	93.6	85.61	64	35	14	65	50	16	65	70	20	1
15	99.8	91.63	70	35	14	71	50	16	71	70	20	1
16	105.5	97.65	75	35	16	77	50	20	77	70	20	1
17	111.5	103.67	80	35	16	83	50	20	83	70	20	1
18	118.0	109.71	80	35	16	89	50	20	89	70	20	1
19	124.2	115.75	80	35	16	95	50	20	95	70	20	1
20	129.7	121.78	80	35	16	100	50	20	100	70	20	1
21	136.0	127.82	90	40	20	100	50	20	100	70	20	1
22	141.8	133.86	90	40	20	100	50	20	100	70	20	1
23	149.0	139.90	90	40	20	110	50	20	110	70	20	1
24	153.9	145.94	90	40	20	110	50	20	110	70	20	1
25	160.0	152.00	90	40	20	120	50	20	120	70	20	1
26	165.9	158.04	95	40	20	120	50	20	120	70	20	1
27	172.3	164.09	95	40	20	120	50	20	120	70	20	1
28	178.0	170.13	95	40	20	120	50	20	120	70	20	1
29	184.1	176.19	95	40	20	120	50	20	120	70	20	1
30	190.5	182.25	95	40	20	120	50	20	120	70	20	1
31	196.3	188.31	100	40	20	120	50	20	130	70	25	1
32	203.3	194.35	100	40	20	120	50	20	130	70	25	1
33	209.3	200.40	100	40	20	120	50	20	130	70	25	1
34	214.6	206.46	100	40	20	120	50	20	130	70	25	1
35	221.0	212.52	100	40	20	120	50	20	130	70	25	1
36	226.8	218.58	100	40	25	120	50	25	130	70	25	1
37	232.9	224.64	100	40	25	120	50	25	130	70	25	1
38	239.0	230.69	100	40	25	120	50	25	130	70	25	1
39	245.1	236.75	100	40	25	120	50	25	130	70	25	1
40	251.3	242.81	100	40	25	120	50	25	130	70	25	1
38	239.0	230.69	100	56	24	110	63	30	140	70	30	2
45	282.5	273.10	100	56	24	110	63	30	140	70	30	2
57	355.4	345.81	100	56	30	120	63	30	140	70	40	2
76	469.9	460.99	100	56	30	135	63	30	160	75	40	2
95	585.1	576.17	100	65	30	135	70	30	170	82	40	2
114	700.6	691.36	100	65	30	135	70	30	170	82	40	2

All dimensions in millimetres unless otherwise stated. Every effort has been taken to ensure that the data listed in this catalogue is correct. Challenge accepts no liability for any inaccuracies or damage caused.

Pilot Bore Sprockets

BS Pilot Bore Sprockets

16B 1" x 17.02 mm

SPROCKET	mm	CHAIN	mm
Tooth Radius r_3	26.0	Pitch	25.400
Chamfer c	2.5	Width Between Inner Plates	17.020
Tooth Width b1	15.8	Roller Diameter	15.880
Tooth Width B1	16.2		
Tooth Width B2	47.7		
Tooth Width B3	79.6		

Teeth	Outer Dia de	Pitch Dia dp	Simplex			Duplex			Triplex			Type
			Hub Dia dm	Length thro' Bore A	Stock Bore D1	Hub Dia dm	Length thro' Bore A	Stock Bore D1	Hub Dia dm	Length thro' Bore A	Stock Bore D1	
8	77.0	66.37	42	35	16	42	65	16	42	95	20	1
9	85.0	74.27	50	35	16	50	65	16	50	95	20	1
10	93.0	82.19	55	35	16	56	65	16	56	95	20	1
11	99.5	90.14	61	40	16	64	70	20	64	100	25	1
12	109.0	98.14	69	40	16	72	70	20	72	100	25	1
13	117.0	106.12	78	40	16	80	70	20	80	100	25	1
14	125.0	114.15	84	40	16	88	70	20	88	100	25	1
15	133.0	122.17	92	40	16	96	70	20	96	100	25	1
16	141.0	130.20	100	45	20	104	70	25	104	100	30	1
17	149.0	138.22	100	45	20	112	70	25	112	100	30	1
18	157.0	146.28	100	45	20	120	70	25	120	100	30	1
19	165.2	154.33	100	45	20	128	70	25	128	100	30	1
20	173.2	162.38	100	45	20	130	70	25	130	100	30	1
21	181.2	170.43	110	50	20	130	70	25	130	100	30	1
22	189.3	178.48	110	50	20	130	70	25	130	100	30	1
23	197.5	186.53	110	50	20	130	70	25	130	100	30	1
24	205.5	194.59	110	50	20	130	70	25	130	100	30	1
25	213.5	202.66	110	50	20	130	70	25	130	100	30	1
26	221.6	210.72	120	50	20	130	70	25	130	100	30	1
27	229.6	218.79	120	50	20	130	70	25	130	100	30	1
28	237.7	226.85	120	50	20	130	70	25	130	100	30	1
29	245.8	234.92	120	50	20	130	70	25	130	100	30	1
30	254.0	243.00	120	50	20	130	70	25	130	100	30	1
31	262.0	251.08	120	50	25	140	70	25	140	100	30	1
32	270.0	259.13	120	50	25	140	70	25	140	100	30	1
33	278.5	267.21	120	50	25	140	70	25	140	100	30	1
34	287.0	275.28	120	50	25	140	70	25	140	100	30	1
35	296.2	283.36	120	50	25	140	70	25	140	100	30	1
36	304.6	291.44	120	50	25	140	70	25	140	100	30	1
37	312.6	299.51	120	50	25	140	70	25	140	100	30	1
38	320.7	307.59	120	50	25	140	70	25	140	100	30	1
39	328.8	315.67	120	50	25	140	70	25	140	100	30	1
40	336.9	323.75	120	50	25	140	70	25	140	100	30	1
30	254.0	243.00	110	65	30	125	75	40	145	90	40	2
38	320.0	307.59	110	65	30	140	75	40	160	100	45	2
45	377.0	364.12	125	70	30	150	75	40	160	100	45	2
57	474.0	461.07	125	70	35	170	90	40	165	100	45	2
76	627.0	614.65	140	80	35	175	95	40	200	110	45	2
95	781.0	768.22	140	80	40	175	95	45	200	110	50	2

Every effort has been taken to ensure that the data listed in this catalogue is correct. Challenge accepts no liability for any inaccuracies or damage caused. All dimensions in millimetres unless otherwise stated.

Pilot Bore Sprockets

BS Pilot Bore Sprockets

20B 1.1/4" x 3/4"

SPROCKET	mm	CHAIN	mm	
Tooth Radius r_3	32.0	Pitch	31.750	
Chamfer c	3.5	Width Between Inner Plates	19.560	
Tooth Width b_1	18.2	Roller Diameter	19.050	
Tooth Width B_1	18.5			
Tooth Width B_2	54.6			
Tooth Width B_3	91.0			

Teeth	Outer Dia d_e	Pitch Dia d_p	Simplex			Duplex			Triplex			Type
			Hub Dia d_m	Length thro' Bore A	Stock Bore D1	Hub Dia d_m	Length thro' Bore A	Stock Bore D1	Hub Dia d_m	Length thro' Bore A	Stock Bore D1	
8	98.1	82.96	53	40	20	53	75	20	53	110	25	1
9	108.0	92.84	63	40	20	63	75	20	63	110	25	1
10	117.9	102.74	70	40	20	70	75	20	70	110	25	1
11	127.8	112.68	77	45	20	80	80	25	80	115	30	1
12	137.8	122.68	88	45	20	90	80	25	90	115	30	1
13	147.8	132.65	98	45	20	100	80	25	100	115	30	1
14	157.8	142.68	108	45	20	110	80	25	110	115	30	1
15	167.9	152.72	118	45	20	120	80	25	120	115	30	1
16	177.9	162.75	120	50	25	120	80	30	120	115	30	1
17	187.9	172.78	120	50	25	120	80	30	120	115	30	1
18	198.0	182.85	120	50	25	120	80	30	120	115	30	1
19	208.1	192.91	120	50	25	120	80	30	120	115	30	1
20	218.1	202.98	120	50	25	120	80	30	120	115	30	1
21	228.2	213.04	140	55	30	140	80	30	140	115	30	1
22	238.3	223.11	140	55	30	140	80	30	140	115	30	1
23	248.3	233.17	140	55	30	140	80	30	140	115	30	1
24	258.4	243.23	140	55	30	140	80	30	140	115	30	1
25	268.5	253.33	140	55	30	140	80	30	140	115	30	1
26	278.6	263.40	150	55	30	150	80	30	150	115	30	1
27	288.6	273.80	150	55	30	150	80	30	150	115	30	1
28	298.7	283.56	150	55	30	150	80	30	150	115	30	1
29	308.8	293.65	150	55	30	150	80	30	150	115	30	1
30	318.9	303.75	150	55	30	150	80	30	150	115	30	1
31	329.0	313.85	150	55	30	150	80	30	150	115	30	1
32	339.1	323.91	150	55	30	150	80	30	150	115	30	1
33	349.2	334.01	150	55	30	150	80	30	150	115	30	1
34	359.3	344.10	150	55	30	150	80	30	150	115	30	1
35	369.4	354.20	150	55	30	150	80	30	150	115	30	1
36	379.5	364.30	150	55	30	150	80	30	150	115	30	1
37	389.5	374.39	150	55	30	150	80	30	150	115	30	1
38	399.6	384.49	150	55	30	150	80	30	150	115	30	1
39	409.7	394.59	150	55	30	150	80	30	150	115	30	1
40	419.8	404.66	150	55	30	150	80	30	150	115	30	1
30	318.9	303.75	115	70	35	130	80	40	160	100	50	2
38	399.6	384.49	125	70	35	140	90	45	180	110	56	2
45	470.3	455.17	125	70	35	140	90	45	180	110	56	2
57	591.5	576.36	135	80	40	160	100	50	180	125	63	2
76	783.5	768.32	140	90	50	180	100	56	200	140	63	2
95	976.9	960.28	-	-	-	180	100	60	220	140	70	2

All dimensions in millimetres unless otherwise stated. Every effort has been taken to ensure that the data listed in this catalogue is correct. Challenge accepts no liability for any inaccuracies or damage caused.

Pilot Bore Sprockets

BS Pilot Bore Sprockets

24B 1.1/2" x 1"

SPROCKET	mm	CHAIN	mm
Tooth Radius r_3	38.0	Pitch	38.100
Chamfer c	4.0	Width Between Inner Plates	25.400
Tooth Width b_1	23.6	Roller Diameter	25.400
Tooth Width B_1	24.1		
Tooth Width B_2	72.0		
Tooth Width B_3	120.3		

Type 1 (C45) Type 2 (GG22) Type 1 (C45) Type 2 (GG22) Type 1 (C45) Type 2 (GG22)

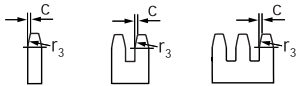
Teeth	Outer Dia d_e	Pitch Dia d_p	Hub Dia d_m	Simplex			Duplex			Triplex			Type
				Length thro' Bore A	Stock Bore D1	Hub Dia d_m	Length thro' Bore A	Stock Bore D1	Hub Dia d_m	Length thro' Bore A	Stock Bore D1		
8	115.0	99.55	58	45	20	58	95	25	58	140	25	1	
9	126.4	111.40	70	45	20	70	95	25	70	140	25	1	
10	138.0	123.29	80	45	20	80	95	25	80	140	25	1	
11	150.0	135.21	90	50	25	90	100	25	90	150	30	1	
12	162.0	147.22	102	50	25	102	100	25	102	150	30	1	
13	174.2	159.18	114	50	25	114	100	25	114	150	30	1	
14	186.2	171.22	128	50	25	128	100	25	128	150	30	1	
15	198.2	183.26	140	50	25	140	100	25	132	150	30	1	
16	210.3	195.30	140	55	25	140	100	30	136	150	30	1	
17	222.3	207.34	140	55	25	150	100	30	140	150	30	1	
18	234.3	219.42	140	55	25	150	100	30	150	150	30	1	
19	246.5	231.49	140	55	25	160	100	30	160	150	30	1	
20	258.6	243.57	140	55	25	160	100	30	160	150	30	1	
21	270.6	255.65	150	60	30	160	100	30	160	150	40	1	
22	282.7	267.73	150	60	30	160	100	30	160	150	40	1	
23	294.8	279.80	150	60	30	160	100	30	160	150	40	1	
24	306.8	291.88	150	60	30	160	100	30	160	150	40	1	
25	319.0	304.00	150	60	30	160	100	30	160	150	40	1	
26	331.0	316.08	160	60	30	160	100	30	160	150	40	1	
27	343.2	328.19	160	60	30	160	100	30	160	150	40	1	
28	355.2	340.27	160	60	30	160	100	30	160	150	40	1	
29	367.3	352.38	160	60	30	160	100	30	160	150	40	1	
30	379.5	364.50	160	60	30	160	100	30	160	150	40	1	
31	391.6	376.62	160	60	30	160	100	40	160	150	40	1	
32	403.7	388.69	160	60	30	160	100	40	160	150	40	1	
33	415.8	400.81	160	60	30	160	100	40	160	150	40	1	
34	427.8	412.93	160	60	30	160	100	40	160	150	40	1	
35	440.0	425.04	160	60	30	160	100	40	160	150	40	1	
36	452.0	437.16	160	60	30	160	100	40	160	150	40	1	
37	464.2	449.27	160	60	30	160	100	40	160	150	40	1	
38	476.2	461.39	160	60	30	160	100	40	160	150	40	1	
39	488.5	473.50	160	60	30	160	100	40	160	150	40	1	
40	500.6	485.62	160	60	30	160	100	40	160	150	40	1	
30	379.5	364.50	130	85	40	160	95	40	180	150	60	2	
38	476.2	461.39	140	90	45	180	100	45	200	150	60	2	
45	561.2	546.20	140	90	45	180	100	45	200	150	60	2	
57	706.5	691.63	160	100	45	200	110	55	200	150	70	2	
76	936.9	921.98	170	100	45	220	120	55	-	-	-	2	
95	1167.3	1152.33	200	125	50	220	140	55	-	-	-	2	
114	1402.8	1382.72	-	-	-	-	-	-	230	160	75	2	

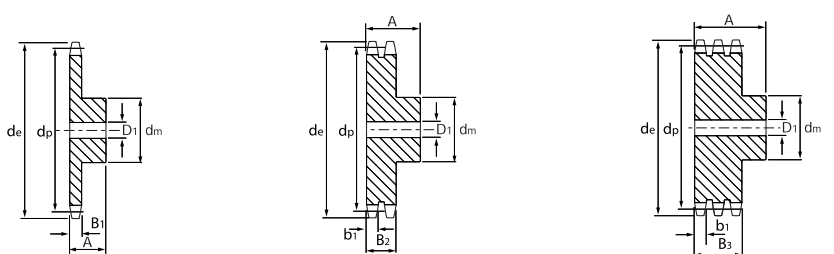
Every effort has been taken to ensure that the data listed in this catalogue is correct. Challenge accepts no liability for any inaccuracies or damage caused. All dimensions in millimetres unless otherwise stated.

Pilot Bore Sprockets

BS Pilot Bore Sprockets

28B 1.3/4" x 1.1/4"

SPROCKET	mm	CHAIN	mm	
Tooth Radius r_3	44.0	Pitch	44.450	
Chamfer c	5.0	Width Between Inner Plates	30.990	
Tooth Width b1	28.8	Roller Diameter	27.940	
Tooth Width B1	29.4			
Tooth Width B2	88.4			
Tooth Width B3	148.0			



Type 1 (C45)
Type 1 (C45)
Type 1 (C45)

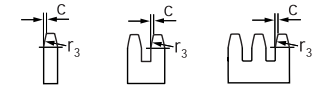
Teeth	Outer Dia d_e	Pitch Dia d_p	Simplex			Duplex			Triplex			Type
			Hub Dia d_m	Length thro' Bore A	Stock Bore D1	Hub Dia d_m	Length thro' Bore A	Stock Bore D1	Hub Dia d_m	Length thro' Bore A	Stock Bore D1	
8	132.0	116.15	74	70	25	74	120	30	74	180	30	1
9	148.4	129.96	88	70	25	88	120	30	88	180	30	1
10	162.3	143.85	100	70	25	100	120	30	100	180	30	1
11	176.3	157.77	112	70	25	112	120	30	112	180	30	1
12	189.3	171.74	125	70	25	125	120	30	125	180	30	1
13	204.2	185.75	125	70	25	125	120	30	125	180	30	1
14	218.2	199.76	130	70	25	130	120	30	130	180	30	1
15	232.3	213.79	145	70	25	145	120	30	145	180	30	1
16	246.3	227.84	160	75	30	160	120	30	160	180	30	1
17	260.0	241.90	160	75	30	160	120	30	160	180	30	1
18	274.0	255.98	160	75	30	160	120	30	160	180	30	1
19	289.0	270.06	160	75	30	180	120	30	180	180	30	1
20	303.0	284.15	160	75	30	180	120	30	180	180	30	1
21	317.0	298.24	170	75	30	180	120	30	180	180	40	1
22	331.0	312.34	170	75	30	180	120	30	180	180	40	1
23	345.0	326.44	170	75	30	180	120	30	180	180	40	1
24	359.0	340.55	170	75	30	180	120	30	180	180	40	1
25	373.0	354.66	170	75	30	180	120	30	180	180	40	1
26	387.0	368.77	170	75	30	180	120	40	180	180	40	1
27	401.0	382.88	170	75	30	180	120	40	180	180	40	1
28	416.0	397.00	170	75	30	180	120	40	180	180	40	1
29	430.0	411.12	170	75	30	180	120	40	180	180	40	1
30	444.0	425.24	170	75	30	180	120	40	180	180	40	1
31	458.0	439.37	180	75	30	200	120	40	200	180	40	1
32	472.0	453.49	180	75	30	200	120	40	200	180	40	1
33	486.0	467.62	180	75	30	200	120	40	200	180	40	1
34	500.0	481.75	180	75	30	200	120	40	200	180	40	1
35	514.0	495.88	180	75	30	200	120	40	200	180	40	1
36	529.0	510.01	180	75	30	200	120	40	200	180	40	1
37	543.0	524.13	180	75	30	200	120	40	200	180	40	1
38	557.0	538.27	180	75	30	200	120	40	200	180	40	1
39	571.0	552.40	180	75	30	200	120	40	200	180	40	1
40	585.0	566.54	180	75	30	200	120	40	200	180	40	1

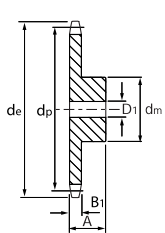
All dimensions in millimetres unless otherwise stated. Every effort has been taken to ensure that the data listed in this catalogue is correct. Challenge accepts no liability for any inaccuracies or damage caused.

Pilot Bore Sprockets

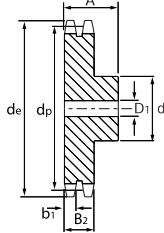
BS Pilot Bore Sprockets

32B 2" x 1.1/4"

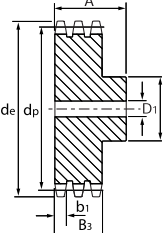
SPROCKET	mm	CHAIN	mm	
Tooth Radius r_3	51.0	Pitch	50.800	
Chamfer c	6.0	Width Between Inner Plates	30.990	
Tooth Width b1	28.8	Roller Diameter	29.210	
Tooth Width B1	29.4			
Tooth Width B2	87.4			
Tooth Width B3	146.0			



Type 1 (C45)



Type 1 (C45)



Type 1 (C45)

Teeth	Outer Dia de	Pitch Dia dp	Simplex			Duplex			Triplex			Type
			Hub Dia dm	Length thro' Bore A	Stock Bore D1	Hub Dia dm	Length thro' Bore A	Stock Bore D1	Hub Dia dm	Length thro' Bore A	Stock Bore D1	
8	153.2	132.74	85	80	30	85	120	30	85	180	30	1
9	169.0	148.54	100	80	30	100	120	30	100	180	30	1
10	185.0	164.39	115	80	30	115	120	30	115	180	30	1
11	200.8	180.31	125	80	30	125	120	35	125	180	35	1
12	216.8	196.29	133	80	30	133	120	35	133	180	35	1
13	232.8	212.29	145	80	30	145	120	35	145	180	35	1
14	248.8	228.29	155	80	30	155	120	35	155	180	35	1
15	264.8	244.30	160	80	30	160	120	35	160	180	35	1
16	280.9	260.40	160	90	30	160	120	40	160	180	40	1
17	296.9	276.46	170	90	30	180	120	40	180	180	40	1
18	313.0	292.55	170	90	30	180	120	40	180	180	40	1
19	329.1	308.66	170	90	30	200	120	40	200	180	40	1
20	345.2	324.71	180	90	30	200	120	40	200	180	40	1
21	361.3	340.82	180	90	40	200	120	40	200	180	40	1
22	377.5	356.98	180	90	40	200	120	40	200	180	40	1
23	393.6	373.08	180	90	40	200	120	40	200	180	40	1
24	409.7	389.18	180	90	40	200	120	40	200	180	40	1
25	425.8	405.33	180	90	40	200	120	40	200	180	40	1
26	441.9	421.44	180	90	40	200	120	40	200	180	40	1
27	458.1	437.59	180	90	40	200	120	40	200	180	40	1
28	474.2	453.69	180	90	40	200	120	40	200	180	40	1
29	492.0	469.85	180	90	40	-	-	-	-	-	-	1
30	506.5	486.00	180	90	40	200	120	40	200	180	40	1
32	538.8	518.27	180	90	40	-	-	-	-	-	-	1
35	589.5	566.71	180	90	40	-	-	-	-	-	-	1
38	635.5	615.16	180	90	40	-	-	-	-	-	-	1
40	670.3	647.47	180	90	40	-	-	-	-	-	-	1

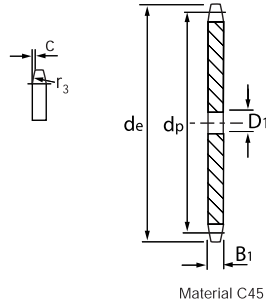
Every effort has been taken to ensure that the data listed in this catalogue is correct. Challenge accepts no liability for any inaccuracies or damage caused. All dimensions in millimetres unless otherwise stated.

Plate Wheels

BS Pilot Bore Plate Wheels

03B 5 x 2.5 mm

SPROCKET	mm	CHAIN	mm
Tooth Radius r_3	5.0	Pitch	5.000
Chamfer c	0.6	Width Between Inner Plates	2.500
Tooth Width B1	2.3	Roller Diameter	3.200



Teeth	Outer Dia de	Pitch Dia dp	Simplex Stock Bore D1
8	15.2	13.06	4
9	16.8	14.62	4
10	18.3	16.18	4
11	19.9	17.75	5
12	21.5	19.32	5
13	23.0	20.89	5
14	24.6	22.47	5
15	26.2	24.04	5
16	27.8	25.63	6
17	29.4	27.20	6
18	30.9	28.79	6
19	32.5	30.38	6
20	34.1	31.96	6
21	35.7	33.54	8
22	37.3	35.13	8
23	38.9	36.72	8
24	40.5	38.30	8
25	42.0	39.89	8
26	43.6	41.48	8
27	45.2	43.07	8
28	46.8	44.65	8
29	48.4	46.25	8
30	50.0	47.83	8
31	51.5	49.42	8
32	53.2	51.01	8
33	54.8	52.60	8
34	56.3	54.19	8
35	57.9	55.78	8
36	59.5	57.37	8
37	61.1	58.96	8
38	62.7	60.54	8
39	64.3	62.13	8
40	65.9	63.73	8
41	67.5	65.31	8
42	69.1	66.91	8
43	70.6	68.49	8

Teeth	Outer Dia de	Pitch Dia dp	Simplex Stock Bore D1
44	72.2	70.09	8
45	73.8	71.68	8
46	75.4	73.27	8
47	77.0	74.86	8
48	78.6	76.45	8
49	80.2	78.03	8
50	81.8	79.63	8
51	83.4	81.22	10
52	85.0	82.81	10
53	86.6	84.40	10
54	88.1	85.97	10
55	89.7	87.58	10
56	91.3	89.17	10
57	92.9	90.76	10
58	94.5	92.35	10
59	96.1	93.94	10
60	97.7	95.53	10
62	100.9	98.72	12
64	104.1	101.90	12
65	105.6	103.49	12
66	107.2	105.08	12
68	110.4	108.26	12
70	113.6	111.44	12
72	116.8	114.63	12
75	121.6	119.40	12
76	123.1	120.99	12
80	129.5	127.35	12
85	137.5	135.31	14
90	145.4	143.27	14
95	153.4	151.22	14
100	161.3	159.18	14
110	177.2	175.09	14
114	183.6	181.49	14
120	193.2	191.01	14
125	201.1	198.96	14

Plate Wheels

BS Pilot Bore Plate Wheels

04B		6 x 2.8 mm	
SPROCKET	mm	CHAIN	mm
Tooth Radius r_3	6.0	Pitch	6.000
Chamfer c	0.7	Width Between Inner Plates	2.800
Tooth Width B1	2.6	Roller Diameter	4.000

Material C45

Teeth	Outer Dia de	Pitch Dia dp	Simplex Stock Bore D1
8	18.0	15.67	5
9	19.9	17.54	5
10	21.7	19.42	6
11	23.7	21.30	6
12	25.4	23.18	6
13	27.3	25.05	8
14	29.2	26.96	8
15	31.1	28.86	8
16	33.0	30.76	8
17	35.0	32.65	8
18	36.9	34.55	8
19	38.8	36.44	8
20	40.7	38.34	8
21	42.6	40.25	8
22	44.5	42.16	8
23	46.4	44.06	8
24	48.3	45.96	8
25	50.2	47.87	8
26	52.1	49.77	10
27	54.0	51.67	10
28	55.9	53.58	10
29	57.8	55.50	10
30	59.8	57.42	10
31	61.7	59.31	10
32	63.6	61.21	10
33	65.5	63.11	10
34	67.4	65.02	10
35	69.3	66.93	10
36	71.2	68.84	10
37	73.1	70.75	10
38	75.0	72.66	10
39	76.9	74.56	10
40	78.9	76.47	10
41	80.8	78.38	12
42	82.7	80.28	12
43	84.7	82.19	12

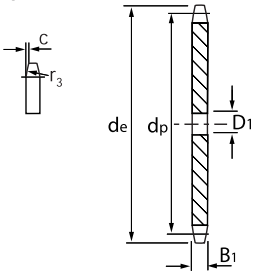
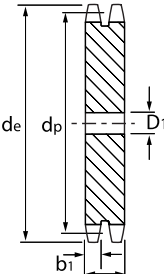
Teeth	Outer Dia de	Pitch Dia dp	Simplex Stock Bore D1
44	86.6	84.10	12
45	88.5	86.01	12
46	90.4	87.92	12
47	92.3	89.83	12
48	94.2	91.74	12
49	96.1	93.64	12
50	98.0	95.55	12
51	99.9	97.47	12
52	101.8	99.37	12
53	103.7	101.27	12
54	105.6	103.17	12
55	107.6	105.08	12
56	109.5	107.00	12
57	111.4	108.93	12
58	113.3	110.82	12
59	115.2	112.71	12
60	117.1	114.62	12
62	120.9	118.45	16
64	124.7	122.27	16
65	126.6	124.18	16
66	128.5	126.09	16
68	132.4	129.91	16
70	136.2	133.73	16
72	140.0	137.55	16
75	145.7	143.28	16
76	147.6	145.19	16
80	155.3	152.82	16
85	164.8	162.37	16
90	174.4	171.92	16
95	183.9	181.47	16
100	193.5	191.01	16
110	211.6	210.11	16
114	220.2	217.75	16
120	231.7	229.20	16
125	241.2	238.75	16

Every effort has been taken to ensure that the data listed in this catalogue is correct. Challenge accepts no liability for any inaccuracies or damage caused. All dimensions in millimetres unless otherwise stated.

Plate Wheels

BS Pilot Bore Plate Wheels

05B		8 x 3 mm	
SPROCKET	mm	CHAIN	mm
Tooth Radius r_3	8.0	Pitch	8.000
Chamfer c	1.0	Width Between Inner Plates	3.000
Tooth Width b_1	2.7	Roller Diameter	5.000
Tooth Width B1	2.8		
Tooth width B2	8.3		

Teeth	Outer Dia de	Pitch Dia dp	Simplex Stock Bore D1	Duplex Stock Bore D1
8	24.0	20.90	6	8
9	26.6	23.39	6	8
10	29.2	25.89	8	8
11	31.7	28.39	8	8
12	34.2	30.91	8	8
13	36.7	33.42	8	8
14	39.2	35.95	8	8
15	41.7	38.48	8	8
16	44.3	41.01	8	10
17	46.8	43.53	8	10
18	49.3	46.07	8	10
19	51.9	48.61	8	10
20	54.4	51.14	8	10
21	57.0	53.67	8	10
22	59.5	56.21	8	10
23	62.0	58.75	8	10
24	64.6	61.29	8	10
25	67.5	63.83	8	10
26	69.5	66.37	10	12
27	72.2	68.91	10	12
28	74.8	71.45	10	12
29	77.3	73.99	10	12
30	79.8	76.53	10	12
31	82.4	79.08	10	12
32	84.9	81.61	10	12
33	87.5	84.16	10	12
34	90.0	86.70	10	12
35	92.5	89.24	10	12
36	95.0	91.79	10	12
37	97.6	94.33	10	12
38	100.2	96.88	10	12
39	102.7	99.42	10	12
40	105.3	101.97	10	12
41	107.8	104.51	12	14
42	110.4	107.05	12	14
43	112.9	109.60	12	14

Teeth	Outer Dia de	Pitch Dia dp	Simplex Stock Bore D1	Duplex Stock Bore D1
44	115.5	112.14	12	14
45	118.0	114.69	12	14
46	120.6	117.23	12	14
47	123.1	119.77	12	14
48	125.6	122.32	12	14
49	128.2	124.89	12	14
50	130.7	127.41	12	14
51	133.3	129.95	14	16
52	135.8	132.49	14	16
53	138.4	135.04	14	16
54	140.9	137.59	14	16
55	143.5	140.13	14	16
56	146.0	142.68	14	16
57	148.6	145.22	14	16
58	151.0	147.77	14	16
59	153.6	150.31	14	16
60	156.2	152.85	14	16
62	162.0	157.95	16	20
64	167.1	163.04	16	20
65	169.2	165.58	16	20
66	172.2	168.13	16	20
68	177.3	173.22	16	20
70	182.4	178.31	16	20
72	187.5	183.41	20	20
75	195.1	191.04	20	20
76	197.7	193.59	20	20
78	202.8	198.68	-	20
80	207.9	203.77	20	20
85	220.6	216.50	20	20
90	233.4	229.23	20	20
95	246.1	241.96	20	20
100	258.9	254.68	20	-
110	284.3	280.15	20	-
114	294.5	290.33	20	20
120	310.0	305.61	20	-
125	322.5	318.34	20	-

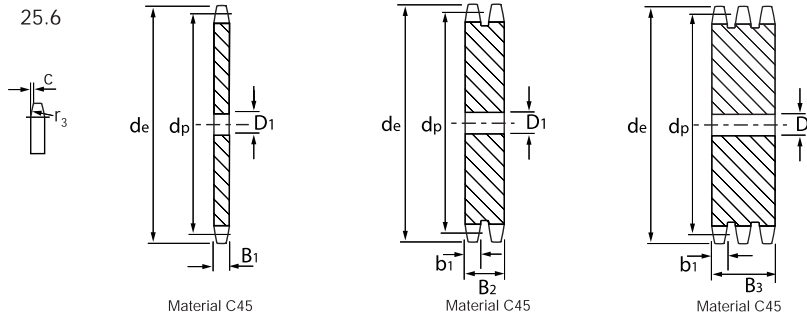
All dimensions in millimetres unless otherwise stated. Every effort has been taken to ensure that the data listed in this catalogue is correct. Challenge accepts no liability for any inaccuracies or damage caused.

Plate Wheels

BS Pilot Bore Plate Wheels

06B 3/8" x 7/32"

SPROCKET	mm	CHAIN	mm
Tooth Radius r_3	10.0	Pitch	9.525
Chamfer c	1.0	Width Between Inner Plates	5.720
Tooth Width b_1	5.2	Roller Diameter	6.350
Tooth Width B_1	5.3		
Tooth Width B_2	15.4		
Tooth Width B_3	25.6		



Teeth	Outer Dia d_e	Pitch Dia d_p	Simplex Stock Bore D1	Duplex Stock Bore D1	Triplex Stock Bore D1
8	28.0	24.89	6	8	8
9	31.0	27.85	7	8	8
10	34.0	30.82	7	8	10
11	37.0	33.80	8	10	12
12	40.0	36.80	8	10	12
13	43.0	39.80	8	10	12
14	46.3	42.80	8	10	12
15	49.3	45.81	8	10	12
16	52.3	48.82	10	12	12
17	55.3	51.83	10	12	12
18	58.3	54.85	10	12	12
19	61.3	57.87	10	12	12
20	64.3	60.89	10	12	12
21	68.0	63.91	12	12	16
22	71.0	66.93	12	12	16
23	73.5	69.95	12	12	16
24	77.0	72.97	12	12	16
25	80.0	76.00	12	12	16
26	83.0	79.02	12	16	16
27	86.0	82.04	12	16	16
28	89.0	85.07	12	16	16
29	92.0	88.09	12	16	16
30	94.7	91.12	12	16	16
31	98.3	94.15	16	16	16
32	101.3	97.17	16	16	16
33	104.3	100.20	16	16	16
34	107.3	103.23	16	16	16
35	110.4	106.26	16	16	16
36	113.4	109.29	16	16	20
37	116.4	112.32	16	16	20
38	119.5	115.35	16	16	20
39	122.5	118.37	16	16	20
40	125.5	121.40	16	16	20
41	128.5	124.43	16	20	20
42	131.6	127.46	16	20	20
43	134.6	130.49	16	20	20

Teeth	Outer Dia d_e	Pitch Dia d_p	Simplex Stock Bore D1	Duplex Stock Bore D1	Triplex Stock Bore D1
44	137.6	133.52	16	20	20
45	140.7	136.54	16	20	20
46	143.7	139.58	20	20	20
47	146.7	142.61	20	20	20
48	149.7	145.64	20	20	20
49	152.7	148.66	20	20	20
50	155.7	151.69	20	20	20
51	158.7	154.72	20	20	20
52	161.8	157.75	20	20	20
53	164.8	160.78	20	20	20
54	167.8	163.82	20	20	20
55	170.8	166.85	20	20	20
56	173.8	169.88	20	20	25
57	176.9	172.91	20	20	25
58	179.9	175.93	20	20	25
59	183.0	178.96	20	20	25
60	186.0	181.99	20	20	25
62	192.1	188.06	20	25	25
64	198.2	194.12	20	25	25
65	201.6	197.15	20	25	25
66	204.6	200.18	20	25	25
68	210.7	206.24	20	25	25
70	216.7	212.30	20	25	25
72	222.8	218.37	20	25	25
75	231.9	227.46	20	25	25
76	234.9	230.49	20	25	25
78	241.0	236.55	-	25	25
80	247.1	242.61	20	25	25
85	262.2	257.77	25	25	25
90	277.4	272.93	25	25	25
95	292.5	288.08	25	25	25
100	307.7	303.25	25	25	25
110	338.0	333.55	25	25	25
114	349.5	345.68	25	25	25
120	368.3	363.86	25	25	25
125	383.5	379.02	25	25	25

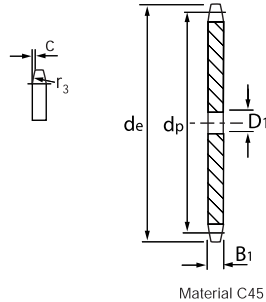
Every effort has been taken to ensure that the data listed in this catalogue is correct. Challenge accepts no liability for any inaccuracies or damage caused. All dimensions in millimetres unless otherwise stated.

Plate Wheels

BS Pilot Bore Plate Wheels

081 1/2" x 1/8"

SPROCKET	mm	CHAIN	mm
Tooth Radius r_3	13.0	Pitch	12.700
Chamfer c	1.3	Width Between Inner Plates	3.300
Tooth Width B1	3.0	Roller Diameter	7.750



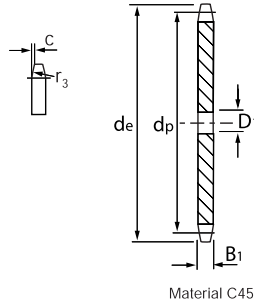
Teeth	Outer Dia de	Pitch Dia dp	Simplex Stock Bore D1	Teeth	Outer Dia de	Pitch Dia dp	Simplex Stock Bore D1
8	37.2	33.18	8	43	179.5	173.99	16
9	41.5	37.13	8	44	183.5	178.03	16
10	46.2	41.10	8	45	187.5	182.07	16
11	49.6	45.07	8	46	191.6	186.10	20
12	53.9	49.07	8	47	195.6	190.14	20
13	58.4	53.06	8	48	199.7	194.18	20
14	62.8	57.07	8	49	203.7	198.22	20
15	66.8	61.09	8	50	207.8	202.26	20
16	70.9	65.10	10	51	211.8	206.30	20
17	74.9	69.11	10	52	215.9	210.34	20
18	78.9	73.14	10	53	219.9	214.37	20
19	82.9	77.16	10	54	224.0	218.43	20
20	86.9	81.19	10	55	228.0	222.46	20
21	91.0	85.22	10	56	232.1	226.50	20
22	95.0	89.24	10	57	236.1	230.54	20
23	99.0	93.27	10	58	240.2	234.58	20
24	103.0	97.29	10	59	244.2	238.62	20
25	107.1	101.33	10	60	248.2	242.66	20
26	111.2	105.36	12	62	256.7	250.75	20
27	115.4	109.40	12	64	264.8	258.82	20
28	119.4	113.42	12	65	268.8	262.86	20
29	123.4	117.46	12	66	272.9	266.90	25
30	127.5	121.50	12	68	280.9	274.99	25
31	131.5	125.54	12	70	289.0	283.07	25
32	135.5	129.56	12	72	297.1	291.16	25
33	139.6	133.60	12	75	309.2	303.27	25
34	143.6	137.64	12	76	313.3	307.33	25
35	147.6	141.68	12	78	321.4	315.40	25
36	151.7	145.72	16	80	329.4	323.48	25
37	155.7	149.76	16	85	349.7	343.70	25
38	159.8	153.80	16	90	369.9	363.90	25
39	163.8	157.83	16	100	410.3	404.31	25
40	167.8	161.87	16	114	466.9	460.90	25
41	171.4	165.91	16	120	491.2	485.16	25
42	175.4	169.95	16	125	511.4	505.37	25

Plate Wheels

BS Pilot Bore Plate Wheels

083 / 084 1/2" x 3/16"

SPROCKET	mm	CHAIN	mm
Tooth Radius r_3	13.0	Pitch	12.700
Chamfer c	1.3	Width Between Inner Plates	4.880
Tooth Width B1	4.5	Roller Diameter	7.750



Teeth	Outer Dia de	Pitch Dia dp	Simplex Stock Bore D1
8	38.5	33.18	8
9	41.5	37.18	8
10	46.2	41.10	8
11	49.6	45.07	8
12	53.9	49.07	8
13	58.4	53.06	8
14	62.8	57.07	8
15	66.8	61.09	8
16	70.9	65.10	8
17	74.9	69.11	8
18	78.9	73.14	8
19	82.9	77.16	8
20	86.9	81.19	8
21	91.0	85.22	8
22	95.0	89.24	8
23	99.0	93.27	8
24	103.0	97.29	8
25	107.1	101.33	8
26	111.2	105.36	8
27	115.4	109.40	8
28	119.4	113.42	8
29	123.4	117.46	8
30	127.5	121.50	8
31	131.5	125.54	8
32	135.5	129.56	8
33	139.6	133.60	8
34	143.6	137.64	8
35	147.6	141.68	8
36	151.7	145.72	8
37	155.7	149.76	8
38	159.8	153.80	8
39	163.8	157.83	8
40	167.8	161.87	8
41	171.4	165.91	8
42	175.4	169.95	16

Teeth	Outer Dia de	Pitch Dia dp	Simplex Stock Bore D1
43	179.5	173.99	16
44	183.5	178.03	16
45	187.5	182.07	16
46	191.6	186.10	16
47	195.6	190.14	16
48	199.7	194.18	16
49	203.7	198.22	16
50	207.8	202.26	16
51	211.8	206.30	16
52	215.9	210.34	16
53	219.9	214.37	16
54	224.0	218.43	16
55	228.0	222.46	16
56	232.1	226.50	16
57	236.1	230.54	16
58	240.2	234.58	16
59	244.2	238.62	16
60	248.2	242.66	16
62	256.7	250.75	16
64	264.8	258.82	16
65	268.8	262.86	16
66	272.9	266.90	16
68	280.9	274.99	16
70	289.0	283.07	16
75	309.2	303.27	16
72	297.1	291.16	16
76	313.3	307.33	16
78	321.4	315.40	16
80	329.4	323.48	16
85	349.7	343.70	16
90	369.9	363.90	-
95	390.1	384.11	25
100	410.3	404.31	25
110	450.7	444.74	25
114	466.9	460.90	-
120	491.2	485.16	25
125	511.4	505.37	-

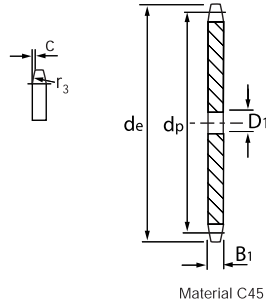
Every effort has been taken to ensure that the data listed in this catalogue is correct. Challenge accepts no liability for any inaccuracies or damage caused. All dimensions in millimetres unless otherwise stated.

Plate Wheels

BS Pilot Bore Plate Wheels

085 1/2" x 1/4"

SPROCKET	mm	CHAIN	mm
Tooth Radius r3	13.0	Pitch	12.700
Chamfer c	1.3	Width Between Inner Plates	6.400
Tooth Width B1	5.9	Roller Diameter	7.750



Teeth	Outer Dia de	Pitch Dia dp	Simplex Stock Bore D1
8	38.5	33.18	8
9	41.5	37.18	8
10	46.2	41.10	8
11	49.6	45.07	8
12	53.9	49.07	8
13	58.4	53.06	8
14	62.8	57.07	8
15	66.8	61.09	8
16	70.9	65.10	10
17	74.9	69.11	10
18	78.9	73.14	10
19	82.9	77.16	10
20	86.9	81.19	10
21	91.0	85.22	10
22	95.0	89.24	10
23	99.0	93.27	10
24	103.0	97.29	10
25	107.1	101.33	10
26	111.2	105.36	12
27	115.4	109.40	12
28	119.4	113.42	12
29	123.4	117.46	12
30	127.5	121.50	12
31	131.5	125.54	12
32	135.5	129.56	12
33	139.6	133.60	12
34	143.6	137.64	12
35	147.6	141.68	12
36	151.7	145.72	16
37	155.7	149.76	16
38	159.8	153.80	16
39	163.8	157.83	16
40	167.8	161.87	16
41	171.4	165.91	16
42	175.4	169.95	16

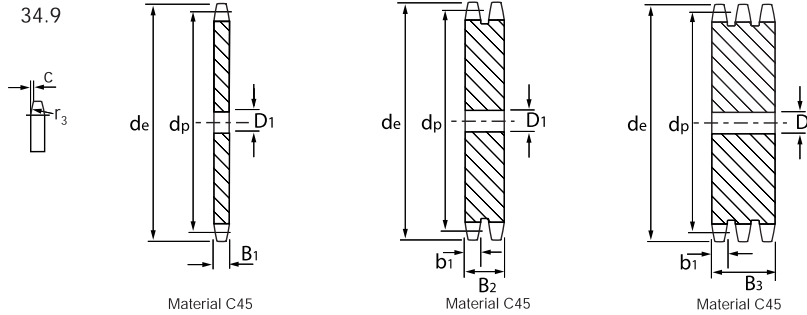
Teeth	Outer Dia de	Pitch Dia dp	Simplex Stock Bore D1
43	179.5	173.99	16
44	183.5	178.03	16
45	187.5	182.07	16
46	191.6	186.10	20
47	195.6	190.14	20
48	199.7	194.18	20
49	203.7	198.22	20
50	207.8	202.26	20
51	211.8	206.30	20
52	215.9	210.34	20
53	219.9	214.37	20
54	224.0	218.43	20
55	228.0	222.46	20
56	232.1	226.50	20
57	236.1	230.54	20
58	240.2	234.58	20
59	244.2	238.62	20
60	248.2	242.66	20
62	256.7	250.75	20
64	264.8	258.82	20
65	268.8	262.86	20
66	272.9	266.90	25
68	280.9	274.99	25
70	289.0	283.07	25
72	297.1	291.16	25
75	309.2	303.27	25
76	313.3	307.33	25
78	321.4	315.40	25
80	329.4	323.48	25

Plate Wheels

BS Pilot Bore Plate Wheels

08B 1/2" x 5/16"

SPROCKET	mm	CHAIN	mm
Tooth Radius r3	13.0	Pitch	12.700
Chamfer c	1.3	Width Between Inner Plates	7.750
Tooth Width b1	7.0	Roller Diameter	8.510
Tooth Width B1	7.2		
Tooth Width B2	21.0		
Tooth Width B3	34.9		



Teeth	Outer Dia de	Pitch Dia dp	Simplex Stock Bore D1	Duplex Stock Bore D1	Triplex Stock Bore D1
8	37.2	33.18	8	10	10
9	41.0	37.13	8	10	10
10	45.2	41.10	8	10	10
11	48.7	45.07	10	10	12
12	53.0	49.07	10	10	12
13	57.4	53.06	10	10	12
14	61.8	57.07	10	10	12
15	65.5	61.09	10	10	12
16	69.5	65.10	10	12	16
17	73.6	69.11	10	12	16
18	77.8	73.14	10	12	16
19	81.7	77.16	10	12	16
20	85.8	81.19	10	12	16
21	89.7	85.22	12	16	16
22	93.8	89.24	12	16	16
23	98.2	93.27	12	16	16
24	101.8	97.29	12	16	16
25	105.8	101.33	12	16	16
26	110.0	105.36	16	16	16
27	114.0	109.40	16	16	16
28	118.0	113.42	16	16	16
29	122.0	117.46	16	16	16
30	126.1	121.50	16	16	16
31	130.2	125.54	16	16	20
32	134.3	129.56	16	16	20
33	138.4	133.60	16	16	20
34	142.6	137.64	16	16	20
35	146.7	141.68	16	16	20
36	151.0	145.72	16	20	20
37	154.6	149.76	16	20	20
38	158.6	153.80	16	20	20
39	162.7	157.83	16	20	20
40	166.8	161.87	16	20	20
41	171.4	165.91	20	20	25
42	175.4	169.95	20	20	25
43	179.7	173.99	20	20	25

Teeth	Outer Dia de	Pitch Dia dp	Simplex Stock Bore D1	Duplex Stock Bore D1	Triplex Stock Bore D1
44	183.8	178.03	20	20	25
45	188.0	182.07	20	20	25
46	192.1	186.10	20	20	25
47	196.2	190.14	20	20	25
48	200.3	194.18	20	20	25
49	204.3	198.22	20	20	25
50	208.3	202.26	20	20	25
51	212.1	206.30	20	25	25
52	216.1	210.34	20	25	25
53	220.2	214.37	20	25	25
54	224.1	218.43	20	25	25
55	228.1	222.46	20	25	25
56	232.2	226.50	20	25	25
57	236.4	230.54	20	25	25
58	240.5	234.58	20	25	-
59	244.5	238.62	20	25	-
60	248.6	242.66	20	25	25
62	256.9	250.75	25	25	25
64	265.1	258.82	25	25	25
65	269.0	262.86	25	25	25
66	273.0	266.90	25	25	25
68	281.0	274.99	25	25	25
70	289.0	283.07	25	25	25
72	297.2	291.16	25	25	25
75	309.2	303.27	25	25	25
76	313.2	307.33	25	25	25
78	321.4	315.40	25	-	-
80	329.4	323.48	25	25	25
85	349.0	343.69	25	25	25
90	369.9	363.90	25	25	25
95	390.1	384.11	25	25	25
100	410.3	404.31	25	25	25
110	450.7	444.74	25	25	-
114	466.9	460.90	25	25	25
120	491.2	485.16	25	25	25
125	511.3	505.37	25	25	25

Every effort has been taken to ensure that the data listed in this catalogue is correct. Challenge accepts no liability for any inaccuracies or damage caused. All dimensions in millimetres unless otherwise stated.

Plate Wheels

BS Pilot Bore Plate Wheels

10B		5/8" x 3/8"	
SPROCKET	mm	CHAIN	mm
Tooth Radius r_3	16.0	Pitch	15.875
Chamfer c	1.6	Width Between Inner Plates	9.650
Tooth Width b_1	9.0	Roller Diameter	10.160
Tooth Width B_1	9.1		
Tooth Width B_2	25.5		
Tooth Width B_3	42.1		

Teeth	Outer Dia d_e	Pitch Dia d_p	Simplex Stock Bore D1	Duplex Stock Bore D1	Triplex Stock Bore D1
8	47.0	41.48	10	10	12
9	52.6	46.42	10	10	12
10	57.5	51.37	10	10	12
11	63.0	56.34	10	12	12
12	68.0	61.34	10	12	12
13	73.0	66.32	10	12	12
14	78.0	71.34	10	12	12
15	83.0	76.36	10	12	12
16	88.0	81.37	12	12	16
17	93.0	86.39	12	12	16
18	98.3	91.42	12	12	16
19	103.3	96.45	12	12	16
20	108.4	101.49	12	12	16
21	113.4	106.52	12	16	16
22	118.0	111.55	12	16	16
23	123.4	116.58	12	16	16
24	128.3	121.62	12	16	16
25	134.0	126.66	12	16	16
26	139.0	131.70	16	16	20
27	144.0	136.75	16	16	20
28	148.7	141.78	16	16	20
29	153.8	146.83	16	16	20
30	158.8	151.87	16	16	20
31	163.9	156.92	16	20	20
32	168.9	161.95	16	20	20
33	174.5	167.00	16	20	20
34	179.0	172.05	16	20	20
35	184.1	177.10	16	20	20
36	189.1	182.15	20	20	25
37	194.2	187.20	20	20	25
38	199.2	192.24	20	20	25
39	204.2	197.29	20	20	25
40	209.3	202.34	20	20	25
41	214.8	207.39	20	20	25
42	219.9	212.44	20	20	25
43	224.9	217.49	20	20	25

Teeth	Outer Dia d_e	Pitch Dia d_p	Simplex Stock Bore D1	Duplex Stock Bore D1	Triplex Stock Bore D1
44	230.0	222.53	20	20	25
45	235.0	227.58	20	20	25
46	240.1	232.63	20	25	25
47	245.1	237.68	20	25	25
48	250.2	242.73	20	25	25
49	255.2	247.78	20	25	25
50	260.3	252.82	20	25	25
51	265.3	257.87	20	25	-
52	270.4	262.92	20	25	25
53	275.4	267.97	20	25	25
54	280.5	273.03	20	25	-
55	285.5	278.08	20	25	25
56	290.6	283.13	25	25	-
57	296.0	288.18	25	25	25
58	300.7	293.23	25	25	-
59	305.7	298.27	25	25	-
60	310.8	303.32	25	25	25
62	321.4	313.43	25	25	-
64	331.5	323.83	25	25	30
65	336.5	328.58	25	25	30
66	341.6	333.63	25	25	-
68	351.7	343.74	25	25	30
70	361.8	353.84	25	25	30
72	371.9	363.95	25	25	30
75	387.1	379.09	25	25	30
76	392.1	384.16	25	25	-
78	402.2	394.25	25	-	30
80	412.3	404.35	25	25	30
85	437.6	429.62	30	30	30
90	462.8	454.88	30	30	30
95	488.5	480.14	30	30	30
100	513.4	505.40	30	30	30
110	563.9	555.92	-	30	30
114	584.1	576.13	-	30	30
120	614.8	606.44	-	30	-
125	639.7	631.71	-	30	-

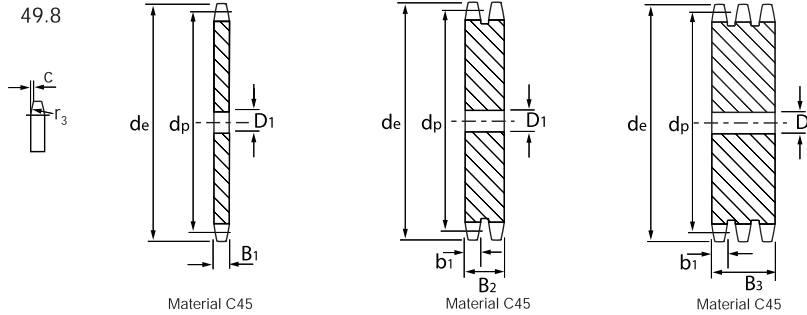
All dimensions in millimetres unless otherwise stated. Every effort has been taken to ensure that the data listed in this catalogue is correct. Challenge accepts no liability for any inaccuracies or damage caused.

Plate Wheels

BS Pilot Bore Plate Wheels

12B 3/4" x 7/16"

SPROCKET	mm	CHAIN	mm
Tooth Radius r_3	19.0	Pitch	19.050
Chamfer c	2.0	Width Between Inner Plates	11.680
Tooth Width b_1	10.8	Roller Diameter	12.070
Tooth Width B_1	11.1		
Tooth Width B_2	30.3		
Tooth Width B_3	49.8		



Teeth	Outer Dia d_e	Pitch Dia d_p	Simplex Stock Bore D1	Duplex Stock Bore D1	Triplex Stock Bore D1
8	57.6	49.78	12	12	12
9	62.0	55.70	12	12	12
10	69.0	61.64	12	12	12
11	75.0	67.61	14	14	16
12	81.5	73.10	14	14	16
13	87.5	79.59	14	14	16
14	93.6	85.61	14	14	16
15	99.8	91.63	14	14	16
16	105.5	97.65	14	16	16
17	111.5	103.67	14	16	16
18	118.0	109.71	14	16	16
19	124.2	115.75	14	16	16
20	129.7	121.78	14	16	16
21	136.0	127.82	16	16	20
22	141.8	133.86	16	16	20
23	149.0	139.90	16	16	20
24	153.9	145.94	16	16	20
25	160.0	152.00	16	16	20
26	165.9	158.04	16	20	20
27	172.3	164.09	16	20	20
28	178.0	170.13	16	20	20
29	184.1	176.19	16	20	20
30	190.5	182.25	16	20	20
31	196.3	188.31	20	20	25
32	203.3	194.35	20	20	25
33	209.3	200.40	20	20	25
34	214.6	206.46	20	20	25
35	221.0	212.52	20	20	25
36	226.8	218.58	20	25	25
37	232.9	224.64	20	25	25
38	239.0	230.69	20	25	25
39	245.1	236.75	20	25	25
40	251.3	242.81	20	25	25
41	257.3	248.87	25	25	25
42	264.5	254.93	25	25	25
43	270.5	260.98	25	25	25

Teeth	Outer Dia d_e	Pitch Dia d_p	Simplex Stock Bore D1	Duplex Stock Bore D1	Triplex Stock Bore D1
44	276.5	267.04	25	25	25
45	282.5	273.10	25	25	25
46	287.9	279.16	25	25	25
47	294.0	285.21	25	25	25
48	300.1	291.27	25	25	25
49	306.2	297.33	25	25	25
50	312.3	303.39	25	25	25
51	318.4	309.45	25	25	-
52	324.5	315.50	25	25	25
53	330.5	321.56	25	25	-
54	336.6	327.64	25	25	25
55	342.7	333.70	25	25	25
56	348.7	339.75	25	25	-
57	355.4	345.81	25	25	30
58	361.5	351.87	25	25	30
60	373.0	363.99	25	25	30
62	385.1	376.12	25	30	-
64	397.2	388.24	25	30	-
65	403.2	394.29	25	30	30
66	409.2	400.35	-	30	30
68	421.4	412.49	30	-	-
70	433.6	424.60	30	30	30
72	447.0	436.74	30	30	30
75	463.9	454.91	30	30	-
76	469.9	460.99	30	30	30
78	482.1	473.10	30	-	-
80	494.2	485.22	30	30	30
85	524.5	515.55	30	30	-
90	554.8	545.86	30	30	-
95	585.1	576.17	30	30	-
100	615.4	606.47	-	30	-

Every effort has been taken to ensure that the data listed in this catalogue is correct. Challenge accepts no liability for any inaccuracies or damage caused. All dimensions in millimetres unless otherwise stated.

Plate Wheels

BS Pilot Bore Plate Wheels

16B 1" x 17.02 mm

SPROCKET	mm	CHAIN	mm
Tooth Radius r_3	26.0	Pitch	25.400
Chamfer c	2.5	Width Between Inner Plates	17.020
Tooth Width b_1	15.8	Roller Diameter	15.880
Tooth Width B_1	16.2		
Tooth Width B_2	47.7		
Tooth Width B_3	79.6		

Material C45

Teeth	Outer Dia d_e	Pitch Dia d_p	Simplex Stock Bore D1	Duplex Stock Bore D1	Triplex Stock Bore D1
8	77.0	66.37	12	16	20
9	85.0	74.27	12	16	20
10	93.0	82.19	12	16	20
11	99.5	90.14	16	20	20
12	109.0	98.14	16	20	20
13	117.0	106.12	16	20	20
14	125.0	114.15	16	20	20
15	133.0	122.17	16	20	20
16	141.0	130.20	20	20	30
17	149.0	138.22	20	20	30
18	157.0	146.28	20	20	30
19	165.2	154.33	20	20	30
20	173.2	162.38	20	20	30
21	181.2	170.43	20	25	30
22	189.3	178.48	20	25	30
23	197.5	186.53	20	25	30
24	205.5	194.59	20	25	30
25	213.5	202.66	20	25	30
26	221.6	210.72	20	25	30
27	229.6	218.79	20	25	30
28	237.7	226.85	20	25	30
29	245.8	234.92	20	25	30
30	254.0	243.00	20	25	30
31	262.0	251.08	25	25	30
32	270.0	259.13	25	25	30
33	278.5	267.21	25	25	30
34	287.0	275.28	25	25	30
35	296.2	283.36	25	25	30
36	304.6	291.44	25	25	30
37	312.6	299.51	25	25	30
38	320.7	307.59	25	25	30
39	328.8	315.67	25	25	30
40	336.9	323.75	25	25	30
41	345.0	331.82	25	-	-
42	353.0	339.90	25	25	30
43	361.1	347.98	25	25	-

Teeth	Outer Dia d_e	Pitch Dia d_p	Simplex Stock Bore D1	Duplex Stock Bore D1	Triplex Stock Bore D1
44	369.1	356.06	25	25	30
45	377.1	364.13	25	25	30
46	385.2	372.21	25	30	30
47	393.2	380.29	25	-	-
48	401.3	388.36	25	30	30
49	409.3	396.44	25	-	-
50	417.4	404.52	25	30	30
51	425.5	412.60	30	-	-
52	433.6	420.67	30	30	40
53	441.7	428.75	30	-	-
54	448.3	436.85	30	-	-
55	457.9	444.93	30	30	40
56	466.0	453.01	30	40	-
57	474.0	461.07	30	40	40
58	482.1	469.16	30	-	-
60	498.3	485.32	30	40	-
62	514.5	501.50	30	-	-
64	530.7	517.65	30	-	-
65	538.8	525.73	30	-	-
66	546.8	533.80	30	-	-
68	562.9	549.98	30	-	-
70	579.2	566.14	30	-	-
72	595.4	582.32	30	-	-
75	619.7	606.55	30	-	-
76	627.0	614.65	30	-	-
78	643.3	630.80	30	-	-
80	660.0	646.96	30	-	-
85	699.9	687.40	30	-	-
90	740.3	727.81	30	-	-
95	781.1	768.22	30	-	-

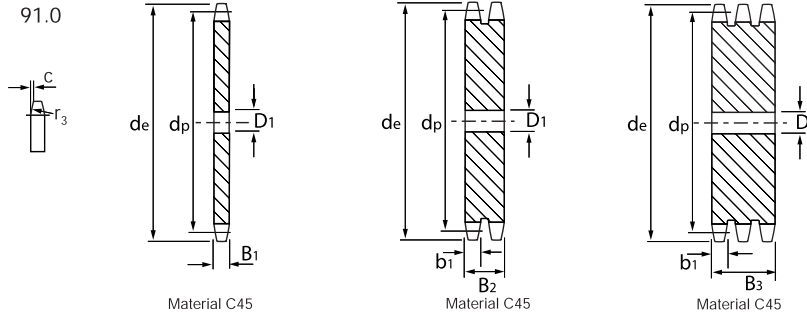
All dimensions in millimetres unless otherwise stated. Every effort has been taken to ensure that the data listed in this catalogue is correct. Challenge accepts no liability for any inaccuracies or damage caused.

Plate Wheels

BS Pilot Bore Plate Wheels

20B 1.1/4" x 19.56 mm

SPROCKET	mm	CHAIN	mm
Tooth Radius r3	32.0	Pitch	31.750
Chamfer c	3.5	Width Between Inner Plates	19.560
Tooth Width b1	18.2	Roller Diameter	19.050
Tooth Width B1	18.5		
Tooth Width B2	54.6		
Tooth Width B3	91.0		



Teeth	Outer Dia de	Pitch Dia dp	Simplex Stock Bore D1	Duplex Stock Bore D1	Triplex Stock Bore D1
8	98.1	82.96	16	20	20
9	108.0	92.84	16	20	20
10	117.9	102.74	16	20	20
11	127.8	112.68	20	20	25
12	137.8	122.68	20	20	25
13	147.8	132.65	20	20	25
14	157.8	142.68	20	20	25
15	167.9	152.72	20	20	25
16	177.9	162.75	20	30	30
17	187.9	172.78	20	30	30
18	198.0	182.85	20	30	30
19	208.1	192.91	20	30	30
20	218.1	202.98	20	30	30
21	228.2	213.04	25	30	30
22	238.3	223.11	25	30	30
23	248.3	233.17	25	30	30
24	258.4	243.23	25	30	30
25	268.5	253.33	25	30	30
26	278.6	263.40	30	30	30
27	288.6	273.40	30	30	30
28	298.7	283.56	30	30	30
29	308.8	293.65	30	30	-
30	318.9	303.75	30	30	30
31	329.0	313.85	30	30	-
32	339.1	323.91	30	30	30
33	349.2	334.01	30	30	30
34	359.3	344.10	30	30	30
35	369.4	354.20	30	30	30
36	379.5	364.30	30	30	30
37	389.5	374.39	30	30	30
38	399.6	384.49	30	30	30
39	409.7	394.59	30	30	-
40	419.8	404.66	30	30	30
41	429.9	414.78	30	-	-

Teeth	Outer Dia de	Pitch Dia dp	Simplex Stock Bore D1	Duplex Stock Bore D1	Triplex Stock Bore D1
42	440.0	424.80	30	30	-
43	450.1	434.97	30	-	-
44	460.2	445.07	30	-	-
45	470.3	455.07	30	30	-
46	480.4	465.26	30	30	-
48	500.6	485.46	30	30	-
50	520.8	505.65	30	30	-
51	530.9	515.75	30	-	-
52	541.0	525.84	30	-	-
53	551.1	535.94	-	-	-
54	561.2	546.07	30	-	-
55	571.3	556.16	30	-	-
56	581.4	566.26	30	-	-
57	591.5	576.36	30	-	-

Every effort has been taken to ensure that the data listed in this catalogue is correct. Challenge accepts no liability for any inaccuracies or damage caused. All dimensions in millimetres unless otherwise stated.

Plate Wheels

BS Pilot Bore Plate Wheels

24B 1.1/2" x 25.4 mm

SPROCKET		mm	CHAIN		mm
Tooth Radius r_3	38.0		Pitch	38.100	
Chamfer c	4.0		Width Between Inner Plates	25.400	
Tooth Width b_1	23.6		Roller Diameter	25.400	
Tooth Width B_1	24.1				
Tooth Width B_2	72.0				
Tooth Width B_3	120.3				

Teeth	Outer Dia d_e	Pitch Dia d_p	Simplex Stock Bore D1	Duplex Stock Bore D1	Triplex Stock Bore D1
8	115.0	99.50	20	25	25
9	126.4	111.40	20	25	25
10	138.0	123.29	20	25	25
11	150.0	135.21	25	25	30
12	162.0	147.22	25	25	30
13	174.2	159.18	25	25	30
14	186.2	171.22	25	25	30
15	198.2	183.26	25	25	30
16	210.3	195.30	25	30	30
17	222.3	207.34	25	30	30
18	234.3	219.42	25	30	30
19	246.5	231.49	25	30	30
20	258.6	243.57	25	30	30
21	270.6	255.65	30	30	40
22	282.7	267.73	30	30	40
23	294.8	279.80	30	30	40
24	306.8	291.88	30	30	40
25	319.0	304.00	30	30	40
26	331.0	316.08	30	30	40
27	343.2	328.19	30	30	40
28	355.2	340.27	30	30	40
29	367.3	352.38	30	30	40
30	379.5	364.50	30	30	40
31	391.6	376.62	30	40	40
32	403.7	388.69	30	40	40
33	415.8	400.81	30	40	40
34	427.8	412.93	30	40	40
35	440.0	425.04	30	40	40
36	452.0	437.16	30	40	40
37	464.2	449.27	30	40	40
38	476.2	461.39	30	40	40
40	500.6	485.62	30	-	40

Teeth	Outer Dia d_e	Pitch Dia d_p	Simplex Stock Bore D1	Duplex Stock Bore D1	Triplex Stock Bore D1
41	512.6	497.74	30	-	-
42	524.7	509.85	30	-	-
43	536.8	521.97	30	-	-
44	549.0	534.08	30	-	-
45	561.2	546.20	30	-	-
46	573.3	558.32	30	-	-
48	597.4	582.55	30	-	-

All dimensions in millimetres unless otherwise stated. Every effort has been taken to ensure that the data listed in this catalogue is correct. Challenge accepts no liability for any inaccuracies or damage caused.

Plate Wheels

BS Pilot Bore Plate Wheels

28B 1.3/4" x 1.1/4"

SPROCKET	mm	CHAIN	mm
Tooth Radius r_3	44.0	Pitch	44.450
Chamfer c	5.0	Width Between Inner Plates	30.990
Tooth Width B1	29.4	Roller Diameter	27.940
Tooth Width b1	28.8		
Tooth Width B2	88.4		
Tooth Width B3	148.0		

Material C45

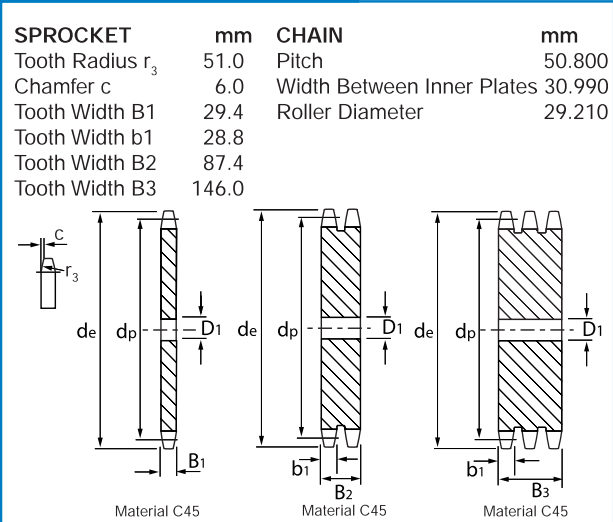
Teeth	Outer Dia de	Pitch Dia dp	Simplex Stock Bore D1	Duplex Stock Bore D1	Triplex Stock Bore D1
8	132.0	116.15	25	25	25
9	148.4	129.96	25	25	25
10	162.3	143.85	25	25	25
11	176.3	157.77	25	30	30
12	189.3	171.74	25	30	30
13	204.2	185.75	25	30	30
14	218.2	199.76	25	30	30
15	232.3	213.79	25	30	30
16	246.3	227.84	30	30	30
17	260.0	241.90	30	30	30
18	274.0	255.98	30	30	30
19	289.0	270.06	30	30	30
20	303.0	284.15	30	30	30
21	317.0	298.24	30	30	40
22	331.0	312.34	30	30	-
23	345.0	326.44	30	30	40
24	359.0	340.55	30	30	-
25	373.0	354.66	30	30	-
26	387.0	368.77	30	40	-
27	401.0	382.88	30	-	-
28	416.0	397.00	30	40	-
30	444.0	425.24	30	40	-
32	472.0	453.49	30	-	-
34	500.0	481.75	30	-	-
35	514.0	495.88	30	-	-
36	529.0	510.01	30	-	-
38	557.0	538.27	30	-	-
40	585.0	566.54	30	-	-

Every effort has been taken to ensure that the data listed in this catalogue is correct. Challenge accepts no liability for any inaccuracies or damage caused. All dimensions in millimetres unless otherwise stated.

Plate Wheels

BS Pilot Bore Plate Wheels

32B 2" x 1.1/4"



Teeth	Outer Dia de	Pitch Dia dp	Simplex Stock Bore D1	Duplex Stock Bore D1	Triplex Stock Bore D1
8	153.2	132.74	25	25	25
9	169.0	148.54	25	25	25
10	185.0	164.39	25	25	25
11	200.8	180.31	30	35	35
12	216.8	196.29	30	35	35
13	232.8	212.29	30	35	35
14	248.8	228.29	30	35	35
15	264.8	244.30	30	35	35
16	280.9	260.40	30	40	40
17	296.9	276.46	30	40	40
18	313.0	292.55	30	40	40
19	329.1	308.66	30	40	40
20	345.2	324.71	30	40	40
21	361.3	340.82	40	40	-
22	377.5	356.98	40	40	-
23	393.6	373.08	40	40	-
24	409.7	389.18	40	40	-
25	425.8	405.33	40	40	-
26	441.9	421.44	40	40	-
27	458.1	437.58	40	-	-
28	474.2	453.69	40	-	-
30	506.5	486.00	40	-	40
32	538.8	518.27	40	-	40
35	589.5	566.71	40	-	40

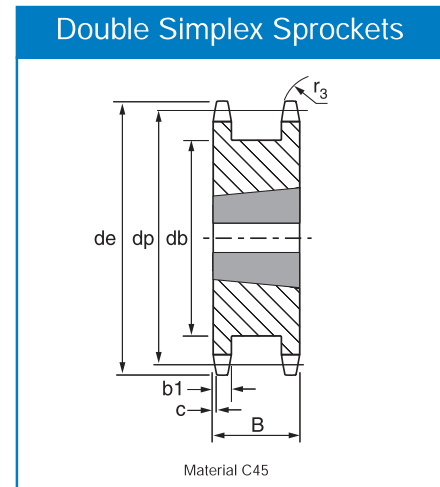
All dimensions in millimetres unless otherwise stated. Every effort has been taken to ensure that the data listed in this catalogue is correct. Challenge accepts no liability for any inaccuracies or damage caused.

Double Simplex Sprockets

Taper Bore Double Simplex Sprockets

06B 3/8" x 7/32"	
SPROCKET mm	
Teeth	
18	
19	
20	
21	
23	
25	

Teeth	Outer Dia de	Pitch Dia dp	Width B	Hub Dia db	Taper Bush
18	58.3	54.85	23.5	43	1008
19	61.3	57.87	23.5	46	1008
20	64.3	60.89	23.5	48	1108
21	68.0	63.91	23.5	52	1108
23	73.5	69.95	23.5	58	1108
25	80.0	76.00	23.5	64	1108



08B 1/2" x 5/16"	
SPROCKET mm	
Teeth	
15	
16	
17	
18	
19	
20	
21	
23	
25	

Teeth	Outer Dia de	Pitch Dia dp	Width B	Hub Dia db	Taper Bush
15	65.5	61.09	31	45	1008
16	69.5	65.10	31	49	1108
17	73.6	69.11	31	53	1108
18	77.8	73.14	31	58	1210
19	81.7	77.16	31	62	1210
20	85.8	81.19	31	66	1210
21	89.7	85.22	31	70	1610
23	98.2	93.27	31	78	1610
25	105.8	101.33	31	86	2012

10B 5/8" x 3/8"	
SPROCKET mm	
Teeth	
12	
13	
14	
15	
16	
17	
18	
19	
20	
21	
23	
25	

Teeth	Outer Dia de	Pitch Dia dp	Width B	Hub Dia db	Taper Bush
12	68.0	61.34	36.5	45	1108
13	73.0	66.32	36.5	50	1108
14	78.0	71.34	36.5	55	1108
15	83.0	76.36	36.5	60	1210
16	88.0	81.37	36.5	65	1210
17	93.0	86.39	36.5	70	1610
18	98.3	91.42	36.5	75	1610
19	103.3	96.45	36.5	80	1610
20	108.4	101.49	36.5	85	1610
21	113.4	106.52	36.5	90	2012
23	123.4	116.58	36.5	100	2012
25	134.0	126.66	36.5	110	2012

12B 3/4" x 7/16"	
SPROCKET mm	
Teeth	
13	
14	
15	
16	
17	
18	
19	
20	
21	
23	
25	

Teeth	Outer Dia de	Pitch Dia dp	Width B	Hub Dia db	Taper Bush
13	87.5	79.59	45	59	1210
14	93.6	85.61	45	65	1210
15	99.8	91.63	45	71	1610
16	105.5	97.65	45	77	1610
17	111.5	103.67	45	83	1610
18	118.0	109.71	45	89	2012
19	124.2	115.75	45	95	2012
20	129.7	121.78	45	101	2517
21	136.0	127.82	45	107	2517
23	149.0	139.90	45	119	2517
25	160.0	152.00	45	131	2517

16B 1" x 17.02 mm	
SPROCKET mm	
Teeth	
12	
13	
14	
15	
16	
17	
18	
19	
20	
21	
23	
25	

Teeth	Outer Dia de	Pitch Dia dp	Width B	Hub Dia db	Taper Bush
12	109.0	98.14	63.5	72	1615
13	117.0	106.12	63.5	81	1615
14	125.0	114.15	63.5	88	2012
15	133.0	122.17	63.5	97	2012
16	141.0	130.20	63.5	104	2012
17	149.0	138.22	63.5	113	2517
18	157.0	146.28	63.5	121	2517
19	165.2	154.33	63.5	129	2517
20	173.2	162.38	63.5	137	3020
21	181.2	170.43	63.5	145	3020
23	197.5	186.53	63.5	161	3525
25	213.5	202.66	63.5	177	3525

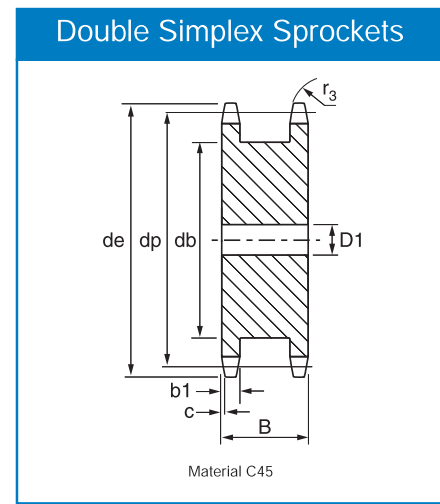
Every effort has been taken to ensure that the data listed in this catalogue is correct. Challenge accepts no liability for any inaccuracies or damage caused. All dimensions in millimetres unless otherwise stated.

Double Simplex Sprockets

Pilot Bore Double Simplex Sprockets

06B 3/8" x 7/32"	
SPROCKET mm	
Tooth Radius r_3	10.00
Chamfer c	1.00
Tooth Width b1	5.30

Teeth	Outer Dia de	Pitch Dia dp	Width B	Hub Dia db	Stock Bore D1
14	46.3	42.80	23.5	31	10
15	49.3	54.81	23.5	34	10
16	52.3	48.82	23.5	37	10
17	55.3	51.83	23.5	40	10
18	58.3	54.85	23.5	43	10
19	61.3	57.87	23.5	46	10
20	64.3	60.89	23.5	48	10
21	68.0	63.91	23.5	52	10



08B 1/2" x 5/16"	
SPROCKET mm	
Tooth Radius r_3	13.00
Chamfer c	1.30
Tooth Width b1	7.20

Teeth	Outer Dia de	Pitch Dia dp	Width B	Hub Dia db	Stock Bore D1
12	53.0	49.07	31	35	12
13	57.4	53.06	31	38	12
14	61.8	57.07	31	41	12
15	65.6	61.09	31	45	12
16	69.5	65.10	31	49	12
17	73.6	69.11	31	53	12
18	77.8	73.14	31	58	12
19	81.7	77.16	31	62	12
20	85.8	81.19	31	66	12
21	89.7	85.22	31	70	18
23	98.2	93.27	31	78	18

10B 5/8" x 3/8"	
SPROCKET mm	
Tooth Radius r_3	16.00
Chamfer c	1.60
Tooth Width b1	9.20

Teeth	Outer Dia de	Pitch Dia dp	Width B	Hub Dia db	Stock Bore D1
12	68.0	61.34	36.5	45	19
13	73.0	66.32	36.5	50	19
14	78.0	71.34	36.5	55	19
15	83.0	76.36	36.5	60	19
16	88.0	81.37	36.5	65	19
17	93.0	86.39	36.5	70	19
18	98.3	91.42	36.5	75	19
19	103.3	96.45	36.5	80	19
20	108.4	101.49	36.5	85	19
21	113.4	106.52	36.5	90	19
23	123.4	116.58	36.5	100	19

12B 3/4" x 7/16"	
SPROCKET mm	
Tooth Radius r_3	19.00
Chamfer c	2.00
Tooth Width b1	11.20

Teeth	Outer Dia de	Pitch Dia dp	Width B	Hub Dia db	Stock Bore D1
12	81.5	73.61	45	53	24
13	87.5	79.59	45	59	24
14	93.6	85.61	45	65	24
15	99.8	91.63	45	71	24
16	105.5	97.65	45	77	24
17	111.5	103.67	45	83	24
18	118.0	109.71	45	89	24
19	124.2	115.75	45	95	24
20	129.7	121.78	45	101	24
21	136.0	127.82	45	107	24
23	149.0	139.90	45	119	24

16B 1" x 17.02 mm	
SPROCKET mm	
Tooth Radius r_3	26.00
Chamfer c	2.50
Tooth Width b1	16.20

Teeth	Outer Dia de	Pitch Dia dp	Width B	Hub Dia db	Stock Bore D1
12	109.0	98.14	63.5	72	25
13	117.0	106.12	63.5	81	25
14	125.0	114.15	63.5	88	25
15	133.0	122.17	63.5	97	25
16	141.0	130.20	63.5	104	25
17	149.0	138.22	63.5	113	25
18	157.0	146.28	63.5	121	25
19	165.2	154.33	63.5	129	25

All dimensions in millimetres unless otherwise stated. Every effort has been taken to ensure that the data listed in this catalogue is correct. Challenge accepts no liability for any inaccuracies or damage caused.