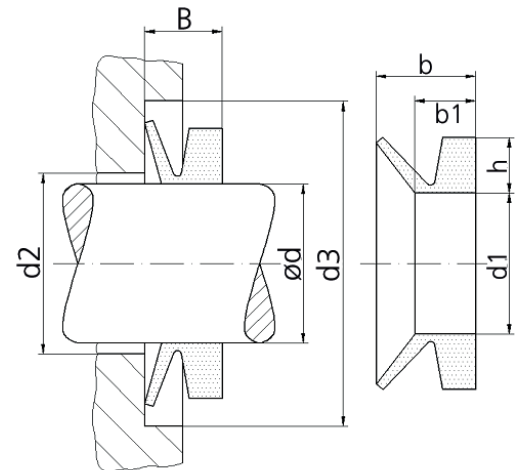


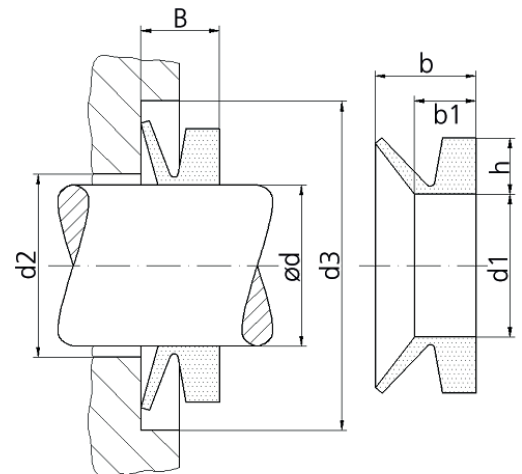
Installation dimensions VR-A10



Type	Suitable for shaft - $\varnothing d$	Dimensions in unstressed conditions				Specified size after installation B	d2 max	d3 max
		d1	h	b1	b			
VR-A10-3	2.7-3.5	2.5	1.5	2.1	3	2.5 ± 0.3	d+1	d+4
VR-A10-4	3.5-4.5	3.2	2	2.4	3.7	3.0 ± 0.4	d+1	d+6
VR-A10-5	4.5-5.5	4	2	2.4	3.7	3.0 ± 0.4	d+1	d+6
VR-A10-6	5.5-6.5	5	2	2.4	3.7	3.0 ± 0.4	d+1	d+6
VR-A10-7	6.5-8	6	2	2.4	3.7	3.0 ± 0.4	d+1	d+6
VR-A10-8	8-9.5	7	2	2.4	3.7	3.0 ± 0.4	d+1	d+6
VR-A10-10	9.5-11.5	9	3	3.4	5.5	4.5 ± 0.6	d+2	d+9
VR-A10-12	11.5-12.5	10.5	3	3.4	5.5	4.5 ± 0.6	d+2	d+9
VR-A10-14	13.5-15.5	12.5	3	3.4	5.5	4.5 ± 0.6	d+2	d+9
VR-A10-16	15.5-17.5	14	3	3.4	5.5	4.5 ± 0.6	d+2	d+9
VR-A10-18	17.5-19	16	3	3.4	5.5	4.5 ± 0.6	d+2	d+9
VR-A10-20	19-21	18	4	4.7	7.5	6.0 ± 0.8	d+2	d+12
VR-A10-22	21-24	20	4	4.7	7.5	6.0 ± 0.8	d+2	d+12
VR-A10-25	24-27	22	4	4.7	7.5	6.0 ± 0.8	d+2	d+12
VR-A10-28	27-29	25	4	4.7	7.5	6.0 ± 0.8	d+3	d+12
VR-A10-30	29-31	27	4	4.7	7.5	6.0 ± 0.8	d+3	d+12
VR-A10-32	31-33	29	4	4.7	7.5	6.0 ± 0.8	d+3	d+12
VR-A10-35	33-36	31	4	4.7	7.5	6.0 ± 0.8	d+3	d+12
VR-A10-38	36-38	34	4	4.7	7.5	6.0 ± 0.8	d+3	d+12
VR-A10-40	38-43	36	5	5.5	9	7.0 ± 1.0	d+3	d+15
VR-A10-45	43-48	40	5	5.5	9	7.0 ± 1.0	d+3	d+15
VR-A10-50	48-53	45	5	5.5	9	7.0 ± 1.0	d+3	d+15
VR-A10-55	53-58	49	5	5.5	9	7.0 ± 1.0	d+3	d+15
VR-A10-60	58-63	54	5	5.5	9	7.0 ± 1.0	d+3	d+15
VR-A10-65	63-68	58	5	5.5	9	7.0 ± 1.0	d+3	d+15
VR-A10-70	68-73	63	6	6.8	11	9.0 ± 1.2	d+4	d+18
VR-A10-75	73-78	67	6	6.8	11	9.0 ± 1.2	d+4	d+18
VR-A10-80	78-83	72	6	6.8	11	9.0 ± 1.2	d+4	d+18
VR-A10-85	83-88	76	6	6.8	11	9.0 ± 1.2	d+4	d+18

Type	Suitable for shaft - $\varnothing d$	Dimensions in unstressed conditions				Specified size after installation	d2 max	d3 max
		d1	h	b1	b	B		
VR-A10-90	88-93	81	6	6.8	11	9.0 ± 1.2	d+4	d+18
VR-A10-95	93-98	85	6	6.8	11	9.0 ± 1.2	d+4	d+18
VR-A10-100	98-105	90	6	6.8	11	9.0 ± 1.2	d+4	d+18
VR-A10-110	105-115	99	7	7.9	12.8	10.5 ± 1.5	d+4	d+21
VR-A10-120	115-125	108	7	7.9	12.8	10.5 ± 1.5	d+4	d+21
VR-A10-130	125-135	117	7	7.9	12.8	10.5 ± 1.5	d+4	d+21
VR-A10-140	135-145	126	7	7.9	12.8	10.5 ± 1.5	d+4	d+21
VR-A10-150	145-155	135	7	7.9	12.8	10.5 ± 1.5	d+4	d+21
VR-A10-160	155-165	144	8	9	14.5	12.0 ± 1.8	d+5	d+24
VR-A10-170	165-175	153	8	9	14.5	12.0 ± 1.8	d+5	d+24
VR-A10-180	175-185	162	8	9	14.5	12.0 ± 1.8	d+5	d+24
VR-A10-190	185-195	171	8	9	14.5	12.0 ± 1.8	d+5	d+24
VR-A10-199	195-210	180	8	9	14.5	12.0 ± 1.8	d+5	d+24
VR-A10-200	190-210	180	15	14.3	25	20 ± 4.0	d+10	d+45
VR-A10-220	210-235	198	15	14.3	25	20 ± 4.0	d+10	d+45
VR-A10-250	235-265	225	15	14.3	25	20 ± 4.0	d+10	d+45
VR-A10-275	265-290	247	15	14.3	25	20 ± 4.0	d+10	d+45
VR-A10-300	290-310	270	15	14.3	25	20 ± 4.0	d+10	d+45
VR-A10-325	310-335	292	15	14.3	25	20 ± 4.0	d+10	d+45
VR-A10-350	335-365	315	15	14.3	25	20 ± 4.0	d+10	d+45
VR-A10-375	365-390	337	15	14.3	25	20 ± 4.0	d+10	d+45
VR-A10-400	390-430	360	15	14.3	25	20 ± 4.0	d+10	d+45
VR-A10-450	430-480	405	15	14.3	25	20 ± 4.0	d+10	d+45
VR-A10-500	480-530	450	15	14.3	25	20 ± 4.0	d+10	d+45
VR-A10-550	530-580	495	15	14.3	25	20 ± 4.0	d+10	d+45
VR-A10-600	580-630	540	15	14.3	25	20 ± 4.0	d+10	d+45
VR-A10-650	630-665	600	15	14.3	25	20 ± 4.0	d+10	d+45
VR-A10-700	665-705	630	15	14.3	25	20 ± 4.0	d+10	d+45
VR-A10-725	705-745	670	15	14.3	25	20 ± 4.0	d+10	d+45
VR-A10-750	745-785	705	15	14.3	25	20 ± 4.0	d+10	d+45
VR-A10-800	785-830	745	15	14.3	25	20 ± 4.0	d+10	d+45
VR-A10-850	830-875	785	15	14.3	25	20 ± 4.0	d+10	d+45
VR-A10-900	875-920	825	15	14.3	25	20 ± 4.0	d+10	d+45
VR-A10-950	920-965	865	15	14.3	25	20 ± 4.0	d+10	d+45
VR-A10-1000	965-1015	910	15	14.3	25	20 ± 4.0	d+10	d+45

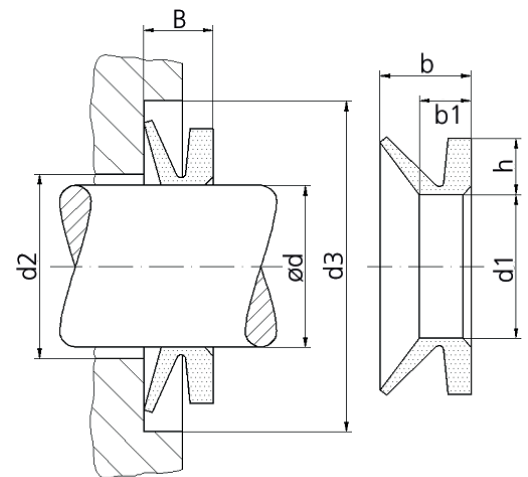
Installation dimensions VR-S10



Type	Suitable for shaft - $\varnothing d$	Dimensions in unstressed conditions				Specified size after installation B	d2 max	d3 max
		d1	h	b1	b			
VR-S10-5	4.5-5.5	4	2	3.9	5.2	4.5 ±0.4	d+1	d+6
VR-S10-6	5.5-6.5	5	2	3.9	5.2	4.5 ±0.4	d+1	d+6
VR-S10-7	6.5-8	6	2	3.9	5.2	4.5 ±0.4	d+1	d+6
VR-S10-8	8-9.5	7	2	3.9	5.2	4.5 ±0.4	d+1	d+6
VR-S10-10	9.5-11.5	9	3	5.6	7.7	6.7 ±0.6	d+2	d+9
VR-S10-12	11.5-12.5	10.5	3	5.6	7.7	6.7 ±0.6	d+2	d+9
VR-S10-14	13.5-15.5	12.5	3	5.6	7.7	6.7 ±0.6	d+2	d+9
VR-S10-16	15.5-17.5	14	3	5.6	7.7	6.7 ±0.6	d+2	d+9
VR-S10-18	17.5-19	16	3	5.6	7.7	6.7 ±0.6	d+2	d+9
VR-S10-20	19-21	18	4	7.9	10.5	9.0 ±0.8	d+2	d+12
VR-S10-22	21-24	20	4	7.9	10.5	9.0 ±0.8	d+2	d+12
VR-S10-25	24-27	22	4	7.9	10.5	9.0 ±0.8	d+2	d+12
VR-S10-28	27-29	25	4	7.9	10.5	9.0 ±0.8	d+3	d+12
VR-S10-30	29-31	27	4	7.9	10.5	9.0 ±0.8	d+3	d+12
VR-S10-32	31-33	29	4	7.9	10.5	9.0 ±0.8	d+3	d+12
VR-S10-35	33-36	31	4	7.9	10.5	9.0 ±0.8	d+3	d+12
VR-S10-38	36-38	34	4	7.9	10.5	9.0 ±0.8	d+3	d+12
VR-S10-40	38-43	36	5	9.5	13	11.0 ±1.0	d+3	d+15
VR-S10-45	43-48	40	5	9.5	13	11.0 ±1.0	d+3	d+15
VR-S10-50	48-53	45	5	9.5	13	11.0 ±1.0	d+3	d+15
VR-S10-55	53-58	49	5	9.5	13	11.0 ±1.0	d+3	d+15
VR-S10-60	58-63	54	5	9.5	13	11.0 ±1.0	d+3	d+15
VR-S10-65	63-68	58	5	9.5	13	11.0 ±1.0	d+3	d+15
VR-S10-70	68-73	63	6	11.3	15.5	13.5 ±1.2	d+4	d+18
VR-S10-75	73-78	67	6	11.3	15.5	13.5 ±1.2	d+4	d+18
VR-S10-80	78-83	72	6	11.3	15.5	13.5 ±1.2	d+4	d+18
VR-S10-85	83-88	76	6	11.3	15.5	13.5 ±1.2	d+4	d+18
VR-S10-90	88-93	81	6	11.3	15.5	13.5 ±1.2	d+4	d+18
VR-S10-95	93-98	85	6	11.3	15.5	13.5 ±1.2	d+4	d+18

Type	Suitable for shaft - \varnothing d	Dimensions in unstressed conditions				Specified size after installation	d2 max	d3 max
		d1	h	b1	b	B		
VR-S10-100	98-105	90	6	11.3	15.5	13.5 \pm 1.2	d+4	d+18
VR-S10-110	105-115	99	7	13.1	18	15.5 \pm 1.5	d+4	d+21
VR-S10-120	115-125	108	7	13.1	18	15.5 \pm 1.5	d+4	d+21
VR-S10-130	125-135	117	7	13.1	18	15.5 \pm 1.5	d+4	d+21
VR-S10-140	135-145	126	7	13.1	18	15.5 \pm 1.5	d+4	d+21
VR-S10-150	145-155	135	7	13.1	18	15.5 \pm 1.5	d+4	d+21
VR-S10-160	155-165	144	8	15	20.5	18.0 \pm 1.8	d+5	d+24
VR-S10-170	165-175	153	8	15	20.5	18.0 \pm 1.8	d+5	d+24
VR-S10-180	175-185	162	8	15	20.5	18.0 \pm 1.8	d+5	d+24
VR-S10-190	185-195	171	8	15	20.5	18.0 \pm 1.8	d+5	d+24
VR-S10-199	195-210	180	8	15	20.5	18.0 \pm 1.8	d+5	d+24

Installation dimensions VR-L10



Type	Suitable for shaft - $\varnothing d$	Dimensions in unstressed conditions				Specified size after installation B	d2 max	d3 max
		d1	h	b1	b			
VR-L10-110	105-115	99	6.5	6	10.5	8 ±1.5	d+5	d+20
VR-L10-120	115-125	108	6.5	6	10.5	8 ±1.5	d+5	d+20
VR-L10-130	125-135	117	6.5	6	10.5	8 ±1.5	d+5	d+20
VR-L10-140	135-145	126	6.5	6	10.5	8 ±1.5	d+5	d+20
VR-L10-150	145-155	135	6.5	6	10.5	8 ±1.5	d+5	d+20
VR-L10-160	155-165	144	6.5	6	10.5	8 ±1.5	d+5	d+20
VR-L10-170	165-175	153	6.5	6	10.5	8 ±1.5	d+5	d+20
VR-L10-180	175-185	162	6.5	6	10.5	8 ±1.5	d+5	d+20
VR-L10-190	185-195	171	6.5	6	10.5	8 ±1.5	d+5	d+20
VR-L10-200	195-210	182	6.5	6	10.5	8 ±1.5	d+5	d+20
VR-L10-220	210-233	198	6.5	6	10.5	8 ±1.5	d+5	d+20
VR-L10-250	233-260	225	6.5	6	10.5	8 ±1.5	d+5	d+20
VR-L10-275	260-285	247	6.5	6	10.5	8 ±1.5	d+5	d+20
VR-L10-300	285-310	270	6.5	6	10.5	8 ±1.5	d+5	d+20
VR-L10-325	310-335	292	6.5	6	10.5	8 ±1.5	d+5	d+20
VR-L10-350	335-365	315	6.5	6	10.5	8 ±1.5	d+5	d+20
VR-L10-375	365-385	337	6.5	6	10.5	8 ±1.5	d+5	d+20
VR-L10-400	385-410	360	6.5	6	10.5	8 ±1.5	d+5	d+20
VR-L10-425	410-440	382	6.5	6	10.5	8 ±1.5	d+5	d+20
VR-L10-450	440-475	405	6.5	6	10.5	8 ±1.5	d+5	d+20
VR-L10-500	475-510	450	6.5	6	10.5	8 ±1.5	d+5	d+20
VR-L10-525	510-540	472	6.5	6	10.5	8 ±1.5	d+5	d+20
VR-L10-550	540-575	495	6.5	6	10.5	8 ±1.5	d+5	d+20
VR-L10-600	575-625	540	6.5	6	10.5	8 ±1.5	d+5	d+20