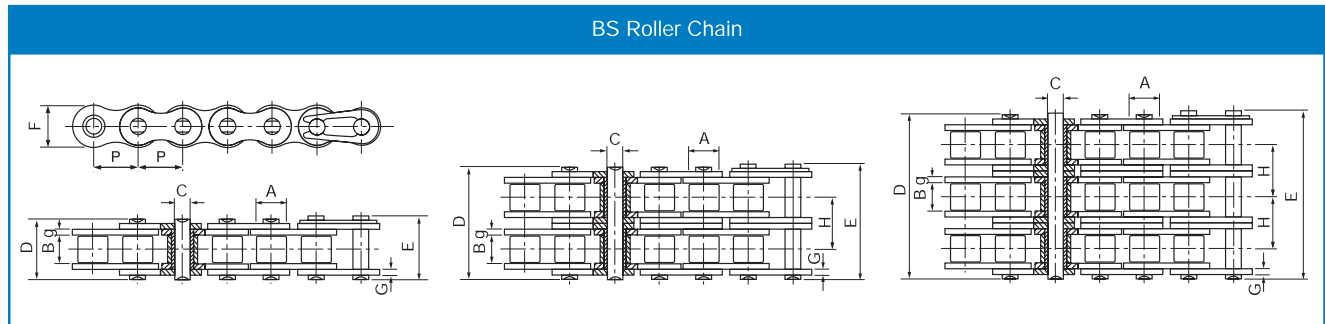


Roller Chain

British Standard Roller Chain

BS228, ISO R606, DIN 8187



ISO Chain number	Pitch	Roller diameter	Width between inner plates	Pin diameter	Pin length		Inner plate height	Plate thickness	Transverse pitch	Minimum tensile strength	Average tensile strength	Weight
	P	A	B	C	D	E						
SIMPLEX												
04B-1	6.000	4.00	2.80	1.85	6.80	7.80	5.00	0.60	-	3.00	3.20	0.11
05B-1	8.000	5.00	3.00	2.31	8.20	8.90	7.10	0.80	-	5.00	5.90	0.20
06B-1 SSP	9.525	6.35	5.72	3.28	13.15	14.10	8.20	1.30	-	9.00	10.40	0.41
08B-1	12.700	8.51	7.75	4.45	16.70	18.20	11.80	1.60	-	18.00	19.40	0.69
10B-1	15.875	10.16	9.65	5.08	19.50	20.90	14.70	1.70	-	22.40	27.50	0.93
12B-1	19.050	12.07	11.68	5.72	22.50	24.20	16.00	1.85	-	29.00	32.20	1.15
16B-1	25.400	15.88	17.02	8.28	36.10	37.40	21.00	4.15/3.1	-	60.00	72.80	2.71
20B-1X	31.750	19.05	19.56	10.19	41.30	45.00	26.40	4.5/3.5	-	95.00	106.70	3.70
24B-1X	38.100	25.40	25.40	14.63	53.40	57.80	33.20	6.0/4.8	-	160.00	178.00	7.10
28B-1X	44.450	27.94	30.99	15.90	65.10	69.50	36.70	7.5/6.0	-	200.00	222.00	8.50
32B-1X	50.800	29.21	30.99	17.81	66.00	71.00	42.00	7.0/6.0	-	250.00	277.50	10.25
40B-1X	63.500	39.37	38.10	22.89	82.20	89.20	52.96	8.5/8.0	-	355.00	394.00	16.35
48B-1X	76.200	48.26	45.72	29.24	99.10	107.00	63.80	12.0/10.0	-	560.00	621.60	25.00
56B-1X	88.900	53.98	53.34	34.32	114.60	123.00	77.80	13.5/12.0	-	850.00	940.00	35.88
64B-1X	101.600	63.50	60.96	39.40	130.00	138.50	90.17	15.0/13.0	-	1120.00	1240.00	46.50
DUPLEX												
04B-2	6.000	4.00	2.80	1.85	12.00	13.00	5.00	0.60	-	4.68	5.50	0.18
05B-2	8.000	5.00	3.00	2.31	13.90	14.50	7.10	0.80	5.64	7.80	10.20	0.33
06B-2 SSP	9.525	6.35	5.72	3.28	23.40	24.40	8.20	1.30	10.24	16.90	18.70	0.77
08B-2	12.700	8.51	7.75	4.45	31.20	32.20	11.80	1.60	13.92	32.00	38.70	1.34
10B-2	15.875	10.16	9.65	5.08	36.10	37.50	14.70	1.70	16.59	44.50	56.20	1.84
12B-2	19.050	12.07	11.68	5.72	42.00	43.60	16.00	1.85	19.46	57.80	66.10	2.31
16B-2	25.400	15.88	17.02	8.28	68.00	69.30	21.00	4.15/3.1	31.88	106.00	133.00	5.42
20B-2X	31.750	19.05	19.56	10.19	77.80	81.50	26.40	4.5/3.5	36.45	170.00	211.20	7.20
24B-2X	38.100	25.40	25.40	14.63	101.70	106.20	33.20	6.0/4.8	48.36	280.00	319.20	13.40
28B-2X	44.450	27.94	30.99	15.90	124.60	129.10	36.70	7.5/6.0	59.56	360.00	406.80	16.60
32B-2X	50.800	29.21	30.99	17.81	124.60	129.60	42.00	7.0/6.0	58.55	450.00	508.50	21.00
40B-2X	63.500	39.37	38.10	22.89	154.50	161.50	52.96	8.5/8.0	72.29	630.00	711.90	32.00
48B-2X	76.200	48.26	45.72	29.24	190.40	198.20	63.80	12.0/10.0	91.21	1000.00	1130.00	50.00
56B-2X	88.900	53.98	53.34	34.32	221.20	229.60	77.80	13.5/12.0	106.60	1600.00	1760.00	71.76
64B-2X	101.600	63.50	60.96	39.40	249.90	258.40	90.17	15.0/13.0	119.89	2000.00	2200.00	93.00
TRIPLEX												
05B-3	8.000	5.00	3.00	2.31	19.50	20.20	7.10	0.80	5.64	11.10	13.80	0.48
06B-3 SSP	9.525	6.35	5.72	3.28	33.50	34.60	8.20	1.30	10.24	24.90	30.10	1.16
08B-3	12.700	8.51	7.75	4.45	45.10	46.10	11.80	1.60	13.92	47.50	57.80	2.03
10B-3	15.875	10.16	9.65	5.08	52.70	54.10	14.70	1.70	16.59	66.70	84.50	2.77
12B-3	19.050	12.07	11.68	5.72	61.50	63.10	16.00	1.85	19.46	86.70	101.80	3.46
16B-3	25.400	15.88	17.02	8.28	99.80	101.20	21.00	4.15/3.1	31.88	160.00	203.70	8.13
20B-3X	31.750	19.05	19.56	10.19	114.20	117.90	26.40	4.5/3.5	36.45	250.00	290.00	10.82
24B-3X	38.100	25.40	25.40	14.63	150.10	154.60	33.20	6.0/4.8	48.36	425.00	493.00	20.10
28B-3X	44.450	27.94	30.99	15.90	184.20	188.70	36.70	7.5/6.0	59.56	530.00	609.50	24.92
32B-3X	50.800	29.21	30.99	17.81	183.20	188.20	42.00	7.0/6.0	58.55	670.00	770.50	31.56
40B-3X	63.500	39.37	38.10	22.89	226.80	233.80	52.96	8.5/8.0	72.29	950.00	1092.50	48.10
48B-3X	76.200	48.26	45.72	29.24	281.60	289.40	63.80	12.0/10.0	91.21	1500.00	1710.00	75.00
56B-3X	88.900	53.98	53.34	34.32	327.80	336.20	77.80	13.5/12.0	106.60	2240.00	2240.00	107.64
64B-3X	101.600	63.50	60.96	39.40	369.80	378.30	90.17	15.0/13.0	119.89	3000.00	3300.00	139.50

* SSP = Straight Side Plate Chain

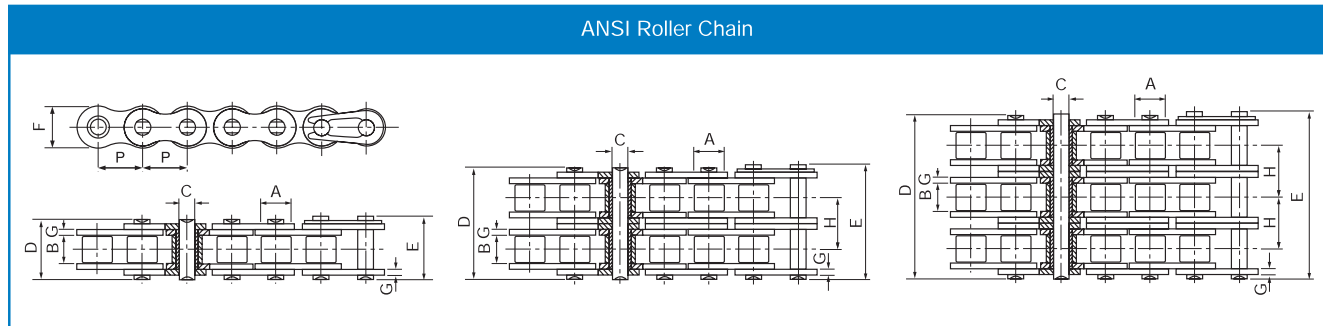
Standard boxed lengths are 5 metres or 10 feet. Each box contains one CL. Special lengths available.

All dimensions in millimetres unless otherwise stated. Every effort has been taken to ensure that the data listed in this catalogue is correct. Challenge accepts no liability for any inaccuracies or damage caused.

Roller Chain

ANSI Standard Roller Chain

ANSI B29.1, ISO R606, DIN 8188



ANSI Chain number	Pitch	Roller diameter	Width between inner plates	Pin diameter	Pin length		Inner plate height	Plate thickness	Transverse pitch	Minimum tensile strength	Average tensile strength	Weight
	P	A	B	C	D	E						
SIMPLEX												
*15-1R	4.763	2.48	2.38	1.62	6.10	6.90	4.30	0.60	-	1.8	2.0	0.08
*25-1R	6.350	3.30	3.18	2.31	7.90	8.40	6.00	0.80	-	3.5	4.6	0.15
*35-1R	9.525	5.08	4.77	3.58	12.40	13.17	9.00	1.30	-	7.9	10.8	0.33
41-1R	12.700	7.77	6.25	3.58	13.75	15.00	9.91	1.30	-	6.7	12.6	0.41
40-1R	12.700	7.95	7.85	3.96	16.60	17.80	12.00	1.50	-	14.1	17.5	0.62
50-1R	15.875	10.16	9.40	5.08	20.70	22.20	15.09	2.03	-	22.2	29.4	1.02
60-1R	19.050	11.91	12.57	5.94	25.90	27.70	18.00	2.42	-	31.8	41.5	1.50
80-1R	25.400	15.88	15.75	7.92	32.70	35.00	24.00	3.25	-	56.7	69.4	2.60
100-1XR	31.750	19.05	18.90	9.53	40.40	44.70	30.00	4.00	-	88.5	109.2	3.91
120-1XR	38.100	22.23	25.22	11.10	50.30	54.30	35.70	4.80	-	127.0	156.3	5.62
140-1XR	44.450	25.40	25.22	12.70	54.40	59.00	41.00	5.60	-	172.4	212.0	7.50
160-1XR	50.800	28.58	31.55	14.27	64.80	69.60	47.80	6.40	-	226.8	278.9	10.10
180-1XR	57.150	35.71	35.48	17.46	72.80	78.60	53.60	7.20	-	280.2	341.8	13.45
200-1XR	63.500	39.68	37.85	19.85	80.30	87.20	60.00	8.00	-	353.8	431.6	16.15
240-1XR	76.200	47.63	47.35	23.81	95.50	103.00	72.39	9.50	-	510.3	622.5	23.20
DUPLEX												
*25-2R	6.350	3.30	3.18	2.31	14.50	15.00	6.00	0.80	6.40	7.0	8.6	0.28
*35-2R	9.525	5.08	4.77	3.58	22.50	23.30	9.00	1.30	10.13	15.8	19.7	0.63
41-2R	12.700	7.77	6.25	3.58	25.70	26.90	9.91	1.30	11.95	13.3	16.9	0.81
40-2R	12.700	7.95	7.85	3.96	31.00	32.20	12.00	1.50	14.38	28.2	35.9	1.12
50-2R	15.875	10.16	9.40	5.08	38.90	40.40	15.09	2.03	18.11	44.4	58.1	2.00
60-2R	19.050	11.91	12.57	5.94	48.80	50.50	18.00	2.42	22.78	63.6	82.1	2.92
80-2R	25.400	15.88	15.75	7.92	62.70	64.30	24.00	3.25	29.29	113.4	141.8	5.15
100-2XR	31.750	19.05	18.90	9.53	76.40	80.50	30.00	4.00	35.76	177.0	219.4	7.80
120-2XR	38.100	22.23	25.22	11.10	95.80	99.70	35.70	4.80	45.44	254.0	314.9	11.70
140-2XR	44.450	25.40	25.22	12.70	103.30	107.90	41.00	5.60	48.87	344.8	427.5	15.14
160-2XR	50.800	28.58	31.55	14.27	123.30	128.10	47.80	6.40	58.55	453.6	562.4	20.14
180-2XR	57.150	35.71	35.48	17.46	138.60	144.40	53.60	7.20	65.84	560.5	695.0	29.22
200-2XR	63.500	39.68	37.85	19.85	151.90	158.80	60.00	8.00	71.55	707.6	877.4	32.24
240-2XR	76.200	47.63	47.35	23.81	183.40	190.80	72.39	9.50	87.83	1020.6	1255.3	45.23
TRIPLEX												
*25-3R	6.350	3.30	3.18	2.31	21.00	21.50	6.00	0.80	6.40	10.5	12.6	0.44
*35-3R	9.525	5.08	4.77	3.58	32.70	33.50	9.00	1.30	10.13	23.7	28.6	1.05
40-3R	12.700	7.95	7.85	3.96	45.40	46.60	12.00	1.50	14.38	42.3	50.0	1.90
50-3R	15.875	10.16	9.40	5.08	57.00	58.50	15.09	2.03	18.11	66.6	77.8	3.09
60-3R	19.050	11.91	12.57	5.94	71.50	73.30	18.00	2.42	22.78	95.4	111.1	4.54
80-3R	25.400	15.88	15.75	7.92	91.70	93.60	24.00	3.25	29.29	170.1	198.4	7.89
100-3XR	31.750	19.05	18.90	9.53	112.20	116.30	30.00	4.00	35.76	265.5	309.6	11.77
120-3XR	38.100	22.23	25.22	11.10	141.40	145.20	35.70	4.80	45.44	381.0	437.2	17.53
140-3XR	44.450	25.40	25.22	12.70	152.20	156.80	41.00	5.60	48.87	517.2	593.3	22.20
160-3XR	50.800	28.58	31.55	14.27	181.80	186.60	47.80	6.40	58.55	680.4	780.6	30.02
180-3XR	57.150	35.71	35.48	17.46	204.40	210.20	53.60	7.20	65.84	840.7	983.6	38.22
200-3XR	63.500	39.68	37.85	19.85	223.50	230.40	60.00	8.00	71.55	1061.4	1217.8	49.03
240-3XR	76.200	47.63	47.35	23.81	271.30	278.60	72.39	9.50	87.83	1530.9	1756.5	71.60

* Bush chain: A in the table indicates the external diameter of the bush

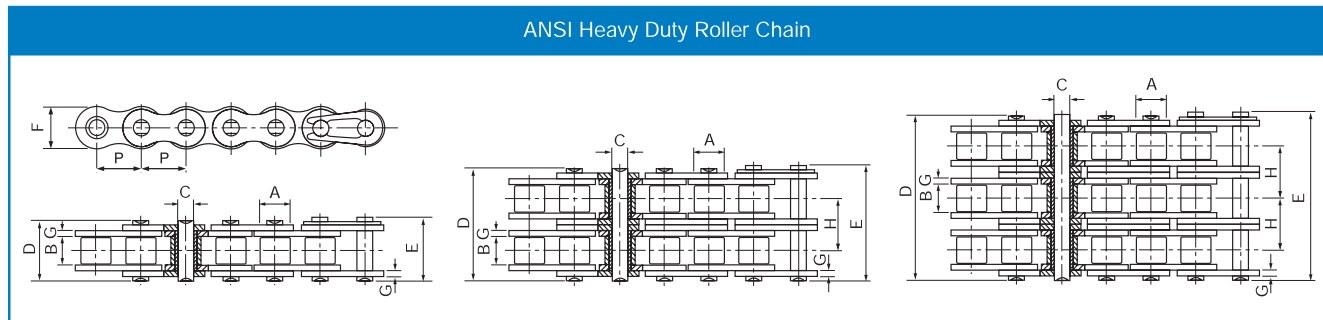
Standard boxed lengths are 5 metres or 10 feet.
Each box contains one CL. Special lengths available.

Every effort has been taken to ensure that the data listed in this catalogue is correct. Challenge accepts no liability for any inaccuracies or damage caused. All dimensions in millimetres unless otherwise stated.

Roller Chain

ANSI Heavy Duty Roller Chain

ANSI B29.1, ISO R606, DIN 8188



ANSI Chain number	Pitch	Roller diameter	Width between inner plates	Pin diameter	Pin length		Inner plate height	Plate thickness	Transverse pitch	Minimum tensile strength	Average tensile strength	Weight
	P	A	B	C	D	E	F	G	H	kN	kN	kg/m
SIMPLEX												
40H-1R	12.700	7.95	7.85	3.96	18.80	19.90	12.00	2.03	-	14.10	19.10	0.82
50H-1R	15.875	10.16	9.40	5.08	22.10	23.40	15.09	2.42	-	22.20	30.20	1.25
60H-1R	19.050	11.91	12.57	5.94	29.20	31.00	18.00	3.25	-	31.80	42.70	1.87
80H-1R	25.400	15.88	15.75	7.92	36.20	37.70	24.00	4.00	-	56.70	71.40	3.10
100H-1XR	31.750	19.05	18.90	9.53	43.60	46.90	30.00	4.80	-	88.50	112.40	4.52
120H-1XR	38.100	22.23	25.22	11.10	53.50	57.50	35.70	5.60	-	127.00	160.90	6.60
140H-1XR	44.450	25.40	25.22	12.70	57.60	62.20	41.00	6.40	-	172.40	217.30	8.30
160H-1XR	50.800	28.58	31.55	14.27	68.20	73.00	47.80	7.20	-	226.80	285.80	10.30
200H-1XR	63.500	39.68	37.85	19.85	86.60	93.50	60.00	9.50	-	353.80	444.50	19.16
DUPLEX												
60H-2R	19.050	11.91	12.57	5.94	55.30	57.10	18.00	3.25	26.11	63.60	84.50	3.71
80H-2R	25.400	15.88	15.75	7.92	68.80	70.30	24.00	4.00	32.59	113.40	145.30	6.15
100H-2R	31.750	19.05	18.90	9.53	82.70	86.00	30.00	4.80	39.09	177.00	225.90	9.03
120H-2XR	38.100	22.23	25.22	11.10	102.40	106.40	35.70	5.60	48.87	254.00	322.70	13.13
140H-2XR	44.450	25.40	25.22	12.70	109.80	114.40	41.00	6.40	52.20	344.80	437.70	16.60
160H-2XR	50.800	28.58	31.55	14.27	130.10	134.90	47.80	7.20	61.90	453.60	571.60	20.20
200H-2XR	63.500	39.68	37.85	19.85	164.90	171.80	60.00	9.50	78.31	707.60	894.90	38.11
TRIPLEX												
60H-3R	19.050	11.91	12.57	5.94	81.40	83.20	18.00	3.25	26.11	95.40	113.90	5.54
80H-3R	25.400	15.88	15.75	7.92	101.40	102.90	24.00	4.00	32.59	170.10	203.50	9.42
100H-3XR	31.750	19.05	18.90	9.53	121.80	125.10	30.00	4.80	39.09	265.50	314.80	12.96
120H-3XR	38.100	22.23	25.22	11.10	151.20	155.20	35.70	5.60	48.87	381.00	444.70	19.64
140H-3XR	44.450	25.40	25.22	12.70	162.00	166.60	41.00	6.40	52.20	517.20	598.40	24.90
160H-3XR	50.800	28.58	31.55	14.27	192.00	196.80	47.80	7.20	61.90	680.40	787.30	30.10
200H-3XR	63.500	39.68	37.85	19.85	243.20	250.10	60.00	9.50	78.31	1061.40	1228.20	57.06

Standard boxed lengths are 5 metres or 10 feet. Each box contains one CL. Special lengths available.

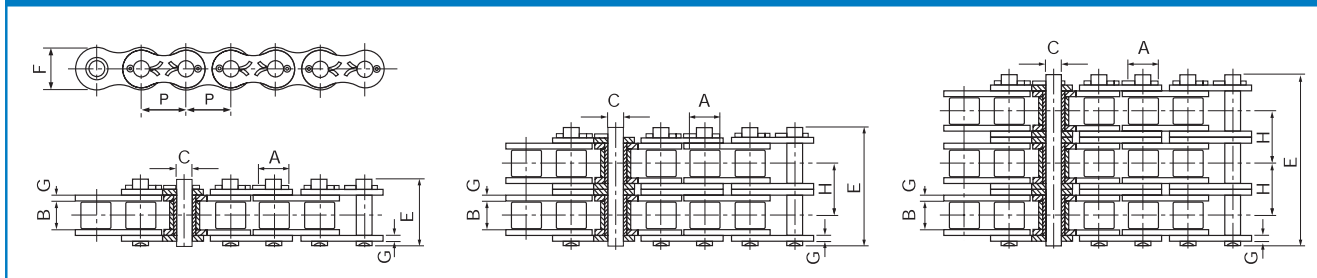
All dimensions in millimetres unless otherwise stated. Every effort has been taken to ensure that the data listed in this catalogue is correct. Challenge accepts no liability for any inaccuracies or damage caused.

Roller Chain

ANSI Cotted Series Roller Chain

ANSI B29.1, ISO R606, DIN 8188

ANSI Cotted A Series Roller Chain



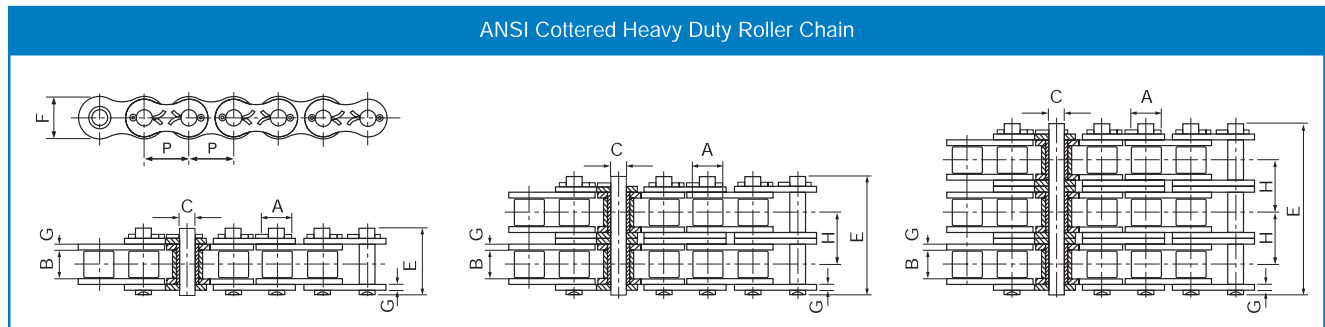
ANSI Chain number	Pitch P	Roller diameter A	Width between inner plates B	Pin diameter C	Pin length E	Inner plate height F	Plate thickness G	Transverse pitch H	Minimum tensile strength kN	Average tensile strength kN	Weight kg/m
SIMPLEX											
50-1C	15.875	10.16	9.40	5.08	23.00	15.09	2.03	-	22.20	29.40	1.02
60-1C	19.050	11.91	12.57	5.94	28.30	18.00	2.42	-	31.80	41.50	1.50
80-1C	25.400	15.88	15.75	7.92	36.50	24.00	3.25	-	56.70	69.40	2.60
100-1C	31.750	19.05	18.90	9.53	44.70	30.00	4.00	-	88.50	109.20	3.91
120-1C	38.100	22.23	25.22	11.10	54.30	35.70	4.80	-	127.00	156.30	5.62
140-1C	44.450	25.40	25.22	12.70	59.00	41.00	5.60	-	172.40	212.00	7.50
160-1C	50.800	28.58	31.55	14.27	69.60	47.80	6.40	-	226.80	278.90	10.10
180-1C	57.150	35.71	35.48	17.46	78.60	53.60	7.20	-	280.20	341.80	13.45
200-1C	63.500	39.68	37.85	19.85	87.20	60.00	8.00	-	353.80	431.60	16.15
240-1C	76.200	47.63	47.35	23.81	103.00	72.39	9.50	-	510.30	622.50	23.20
DUPLEX											
50-2C	15.875	10.16	9.40	5.08	41.20	15.09	2.03	18.11	44.40	58.10	2.00
60-2C	19.050	11.91	12.57	5.94	51.10	18.00	2.42	22.78	63.60	82.10	2.92
80-2C	25.400	15.88	15.75	7.92	65.80	24.00	3.25	29.29	113.40	141.80	5.15
100-2C	31.750	19.05	18.90	9.53	80.50	30.00	4.00	35.76	177.00	219.40	7.80
120-2C	38.100	22.23	25.22	11.10	99.70	35.70	4.80	45.44	254.00	314.90	11.70
140-2C	44.450	25.40	25.22	12.70	107.90	41.00	5.60	48.87	344.80	427.50	15.14
160-2C	50.800	28.58	31.55	14.27	128.10	47.80	6.40	58.55	453.60	562.40	20.14
180-2C	57.150	35.71	35.48	17.46	144.40	53.60	7.20	65.84	560.50	695.00	29.22
200-2C	63.500	39.68	37.85	19.85	158.80	60.00	8.00	71.55	707.60	877.40	32.24
240-2C	76.200	47.63	47.35	23.81	190.80	72.39	9.50	87.83	1020.60	1255.30	45.23
TRIPLEX											
50-3C	15.875	10.16	9.40	5.08	59.30	15.09	2.03	18.11	66.60	77.80	3.09
60-3C	19.050	11.91	12.57	5.94	73.90	18.00	2.42	22.78	95.40	111.10	4.54
80-3C	25.400	15.88	15.75	7.92	93.60	24.00	3.25	29.29	170.10	198.40	7.89
100-3C	31.750	19.05	18.90	9.53	116.30	30.00	4.00	35.76	265.50	309.60	11.77
120-3C	38.100	22.23	25.22	11.10	145.20	35.70	4.80	45.44	381.00	437.20	17.53
140-3C	44.450	25.40	25.22	12.70	156.80	41.00	5.60	48.87	517.20	593.30	22.20
160-3C	50.800	28.58	31.55	14.27	186.60	47.80	6.40	58.55	680.40	780.60	30.02
180-3C	57.150	35.71	35.48	17.46	210.20	53.60	7.20	65.84	840.70	983.60	38.22
200-3C	63.500	39.68	37.85	19.85	230.40	60.00	8.00	71.55	1061.40	1217.80	49.03
240-3C	76.200	47.63	47.35	23.81	278.60	72.39	9.50	87.83	1530.90	1756.50	71.60

Standard boxed lengths are 5 metres or 10 feet. Each box contains one CL. Special lengths available.

Roller Chain

ANSI Cotteded Heavy Duty Roller Chain

ANSI B29.1, ISO R606, DIN 8188

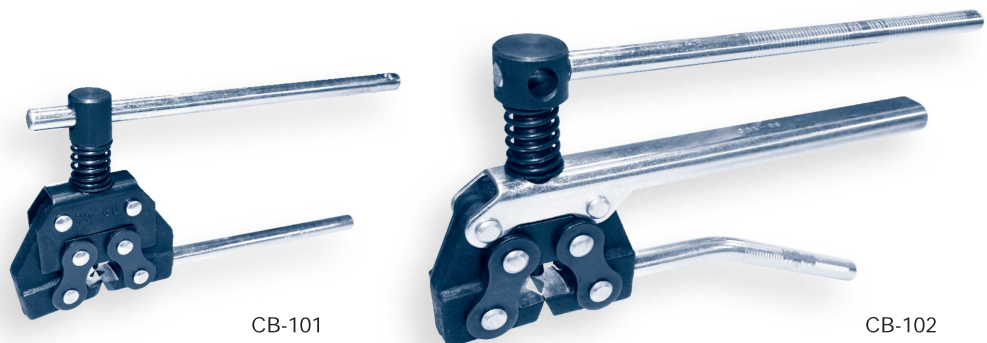


ANSI Chain number	Pitch P	Roller diameter A	Width between inner plates B	Pin diameter C	Pin length E	Inner plate height F	Plate thickness G	Transverse pitch H	Minimum tensile strength kN	Average tensile strength kN	Weight kg/m
SIMPLEX											
50H-1C	15.875	10.16	9.40	5.08	24.40	15.09	2.42	-	22.20	30.20	1.25
60H-1C	19.050	11.91	12.57	5.94	31.60	18.00	3.25	-	31.80	42.70	1.87
80H-1C	25.400	15.88	15.75	7.92	39.40	24.00	4.00	-	56.70	71.40	3.10
100H-1C	31.750	19.05	18.90	9.53	46.90	30.00	4.80	-	88.50	112.40	4.52
120H-1C	38.100	22.23	25.22	11.10	57.50	35.70	5.60	-	127.00	160.90	6.60
140H-1C	44.450	25.40	25.22	12.70	62.20	41.00	6.40	-	172.40	217.30	8.30
160H-1C	50.800	28.58	31.55	14.27	73.00	47.80	7.20	-	226.80	285.80	10.30
200H-1C	63.500	39.68	37.85	19.85	93.50	60.00	9.50	-	353.80	444.50	19.16
DUPLEX											
60H-2C	19.050	11.91	12.57	5.94	57.70	18.00	3.25	26.11	63.60	84.50	3.71
80H-2C	25.400	15.88	15.75	7.92	72.00	24.00	4.00	32.59	113.40	145.30	6.15
100H-2C	31.750	19.05	18.90	9.53	86.00	30.00	4.80	39.09	177.00	225.90	9.03
120H-2C	38.100	22.23	25.22	11.10	106.40	35.70	5.60	48.87	254.00	322.70	13.13
140H-2C	44.450	25.40	25.22	12.70	114.40	41.00	6.40	52.20	344.80	437.70	16.60
160H-2C	50.800	28.58	31.55	14.27	134.90	47.80	7.20	61.90	453.60	571.60	20.20
200H-2C	63.500	39.68	37.85	19.85	171.80	60.00	9.50	78.31	707.60	894.90	31.11
TRIPLEX											
60H-3C	19.050	11.91	12.57	5.94	83.80	18.00	3.25	26.11	95.40	113.90	5.54
80H-3C	25.400	15.88	15.75	7.92	104.60	24.00	4.00	32.59	170.10	203.50	9.42
100H-3C	31.750	19.05	18.90	9.53	125.10	30.00	4.80	39.09	265.50	314.80	12.96
120H-3C	38.100	22.23	25.22	11.10	155.20	35.70	5.60	48.87	381.00	444.70	19.64
140H-3C	44.450	25.40	25.22	12.70	166.60	41.00	6.40	52.20	517.20	598.40	24.90
160H-3C	50.800	28.58	31.55	14.27	196.80	47.80	7.20	61.90	680.40	787.30	30.10
200H-3C	63.500	39.68	37.85	19.85	250.10	60.00	9.50	78.31	1061.40	1228.20	57.06

Standard boxed lengths are 5 metres or 10 feet. Each box contains one CL. Special lengths available.

Chain Breakers

Model	Range	
	From inch	To inch
CB-101 (Small)	3/8"	3/4"
CB-102 (Large)	3/4"	1.1/4"

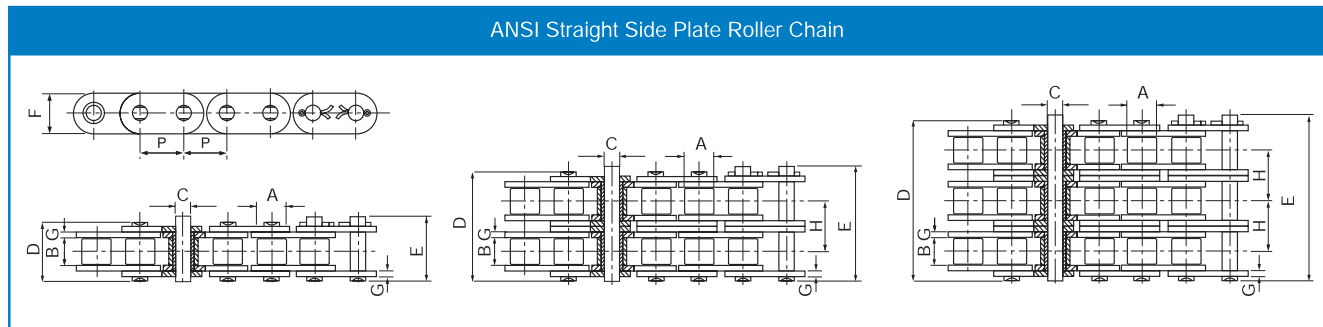


All dimensions in millimetres unless otherwise stated. Every effort has been taken to ensure that the data listed in this catalogue is correct. Challenge accepts no liability for any inaccuracies or damage caused.

Roller Chain

ANSI Straight Side Plate Roller Chain

ANSI B29.1, ISO R606, DIN 8188



ANSI Chain number	Pitch P	Roller diameter A	Width between inner plates B	Pin diameter C	Pin length D E		Inner plate height F	Plate thickness G	Transverse pitch H	Minimum tensile strength kN	Average tensile strength kN	Weight kg/m
SIMPLEX												
C40-1R	12.700	7.95	7.85	3.96	16.60	18.80	12.00	1.50	-	14.10	17.50	0.73
C50-1R	15.875	10.16	9.40	5.08	20.70	23.30	15.09	2.03	-	22.20	29.40	1.23
C60-1R	19.050	11.91	12.57	5.94	25.90	28.30	18.0/18.2	2.42	-	31.80	41.50	1.81/1.83
C80-1R	25.400	15.88	15.75	7.92	32.70	36.50	24.00	3.25	-	56.70	69.40	3.09
C100-1XR	31.750	19.05	18.90	9.53	40.40	44.70	30.00	4.00	-	88.50	109.20	4.56
C120-1XR	38.100	22.23	25.22	11.10	50.30	54.30	35.70	4.80	-	127.00	156.30	6.86
C140-1XR	44.450	25.40	25.22	12.70	54.40	59.00	41.00	5.60	-	172.40	212.00	8.49
C160-1XR	50.800	28.58	31.55	14.27	64.80	69.60	47.80	6.40	-	226.80	278.90	11.50
DUPLEX												
C40-2R	12.700	7.95	7.85	3.96	31.00	33.20	12.00	1.50	14.38	28.20	35.90	1.43
C50-2R	15.875	10.16	9.40	5.08	38.90	41.40	15.09	2.03	18.11	44.40	58.10	2.42
C60-2R	19.050	11.91	12.57	5.94	48.80	51.10	18.0/18.2	2.42	22.78	63.60	82.10	3.58/3.62
C80-2R	25.400	15.88	15.75	7.92	62.70	65.80	24.00	3.25	29.29	113.40	141.80	6.12
C100-2XR	31.750	19.05	18.90	9.53	76.40	80.50	30.00	4.00	35.76	177.00	219.40	9.08
C120-2XR	38.100	22.23	25.22	11.10	95.80	99.70	35.70	4.80	45.44	254.00	314.90	13.60
C140-2XR	44.450	25.40	25.22	12.70	103.30	107.90	41.00	5.60	48.87	344.80	427.50	16.86
C160-2XR	50.800	28.58	31.55	14.27	123.30	128.10	47.80	6.40	58.55	453.60	562.40	22.90
TRIPLEX												
C40-3R	12.700	7.95	7.85	3.96	45.40	47.60	12.00	1.50	14.38	42.30	50.00	2.14
C50-3R	15.875	10.16	9.40	5.08	57.00	59.50	15.09	2.03	18.11	66.60	77.80	3.62
C60-3R	19.050	11.91	12.57	5.94	71.50	73.90	18.0/18.2	2.42	22.78	95.40	111.10	5.36/5.41
C80-3R	25.400	15.88	15.75	7.92	91.70	95.10	24.00	3.25	29.29	170.10	198.40	9.10
C100-3XR	31.750	19.05	18.90	9.53	112.20	116.30	30.00	4.00	35.76	265.50	309.60	13.60
C120-3XR	38.100	22.23	25.22	11.10	141.40	145.20	35.70	4.80	45.44	381.00	437.20	20.43
C140-3XR	44.450	25.40	25.22	12.70	152.20	156.80	41.00	5.60	48.87	517.20	593.30	25.23
C160-3XR	50.800	28.58	31.55	14.27	181.80	186.60	47.80	6.40	58.55	680.40	780.60	34.19

Standard boxed lengths are 5 metres or 10 feet. Each box contains one CL. Special lengths available.

Chain Pullers

Model	Range	
	From inch	To inch
CB-105 (Small)	1/4"	3/4"
CB-106 (Large)	3/4"	1.1/4"

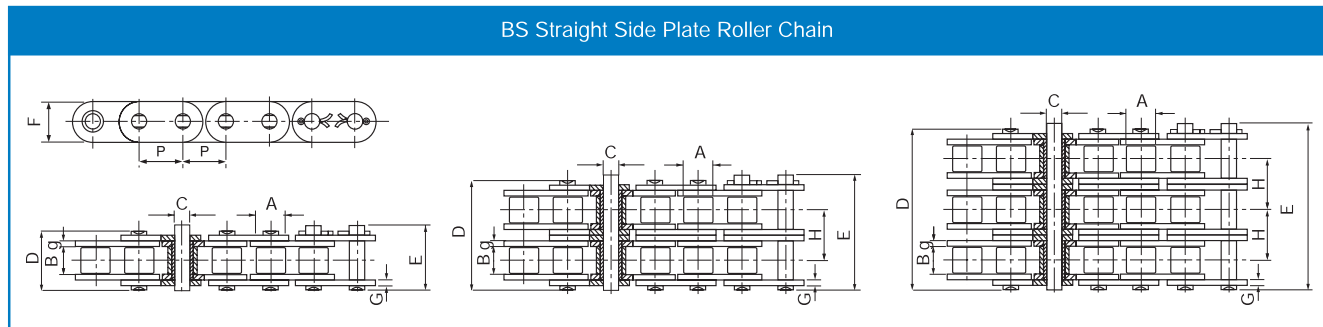


Every effort has been taken to ensure that the data listed in this catalogue is correct. Challenge accepts no liability for any inaccuracies or damage caused. All dimensions in millimetres unless otherwise stated.

Roller Chain

BS Straight Side Plate Roller Chain

ANSI B29.1, ISO R606, DIN 8187



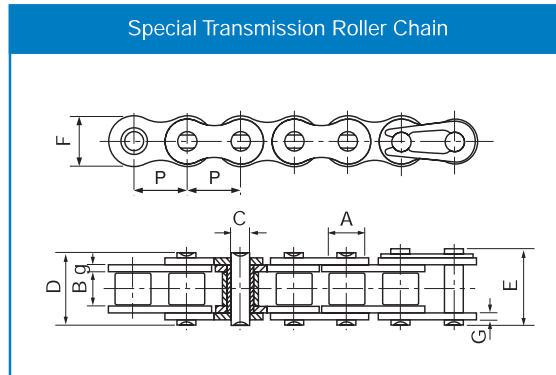
ISO Chain number	Pitch	Roller diameter	Width between inner plates	Pin diameter	Pin length		Inner plate height	Plate thickness	Transverse pitch	Minimum tensile strength	Average tensile strength	Weight
	P	A	B	C	D	E						
SIMPLEX												
08B-1 GL	12.700	8.51	7.75	4.45	16.70	18.20	11.80	1.60	-	18.00	19.50	0.80
10B-1 GL	15.875	10.16	9.65	5.08	19.50	20.90	14.70	1.70	-	22.40	27.90	1.06
12B-1 GL	19.050	12.07	11.68	5.72	22.50	25.20	16.00	1.85	-	29.00	32.20	1.32
16B-1 GL	25.400	15.88	17.02	8.28	36.10	39.10	21.0/24.0	4.15/3.1	-	60.00	72.80	3.08/3.49
20B-1 GLX	31.750	19.05	19.56	10.19	41.30	45.00	26.40	4.5/3.5	-	95.00	106.70	4.16
24B-1 GLX	38.100	25.40	25.40	14.63	53.40	57.80	33.20	6.0/4.8	-	160.00	178.00	7.47
28B-1 GLX	44.450	27.94	30.99	15.90	65.10	69.50	36.70	7.5/6.0	-	200.00	222.00	9.90
32B-1 GLX	50.800	29.21	30.99	17.81	66.00	71.00	42.00	7.0/6.0	-	250.00	277.50	10.45
DUPLEX												
08B-2 GL	12.700	8.51	7.75	4.45	31.20	32.20	11.80	1.60	13.92	32.00	38.70	1.45
10B-2 GL	15.875	10.16	9.65	5.08	36.10	37.50	14.70	1.70	16.59	44.50	57.80	2.00
12B-2 GL	19.050	12.07	11.68	5.72	42.00	44.70	16.00	1.85	19.46	57.80	66.10	2.62
16B-2 GL	25.400	15.88	17.02	8.28	68.00	71.00	21.0/24.0	4.15/3.1	31.88	106.00	133.00	6.10/6.92
20B-2 GLX	31.750	19.05	19.56	10.19	77.80	81.50	26.40	4.5/3.5	36.45	170.00	211.20	8.23
24B-2 GLX	38.100	25.40	25.40	14.63	101.70	106.20	33.20	6.0/4.8	48.36	280.00	319.20	14.77
28B-2 GLX	44.450	27.94	30.99	15.90	124.60	129.10	36.70	7.5/6.0	59.56	360.00	406.80	19.82
32B-2 GLX	50.800	29.21	30.99	17.81	124.60	129.60	42.00	7.0/6.0	58.55	450.00	508.50	20.94
TRIPLEX												
08B-3 GL	12.700	8.51	7.75	4.45	45.10	46.10	11.80	1.60	13.92	47.50	57.80	2.10
10B-3 GL	15.875	10.16	9.65	5.08	52.70	54.10	14.70	1.70	16.59	66.70	84.50	2.87
12B-3 GL	19.050	12.07	11.68	5.72	61.50	64.20	16.00	1.85	19.46	86.70	101.80	3.89
16B-3 GL	25.400	15.88	17.02	8.28	99.80	102.90	21.0/24.0	4.15/3.1	31.88	160.00	203.70	9.12/10.34
20B-3 GLX	31.750	19.05	19.56	10.19	114.20	117.90	26.40	4.5/3.5	36.45	250.00	290.00	11.34
24B-3 GLX	38.100	25.40	25.40	14.63	150.10	154.60	33.20	6.0/4.8	48.36	425.00	493.00	22.10
28B-3 GLX	44.450	27.94	30.99	15.90	184.20	188.70	36.70	7.5/6.0	59.56	530.00	609.50	29.64
32B-3 GLX	50.800	29.21	30.99	17.81	183.20	188.20	42.00	7.0/6.0	58.55	670.00	770.50	31.27

Standard boxed lengths are 5 metres or 10 feet. Each box contains one CL. Special lengths available.

All dimensions in millimetres unless otherwise stated. Every effort has been taken to ensure that the data listed in this catalogue is correct. Challenge accepts no liability for any inaccuracies or damage caused.

Roller Chain

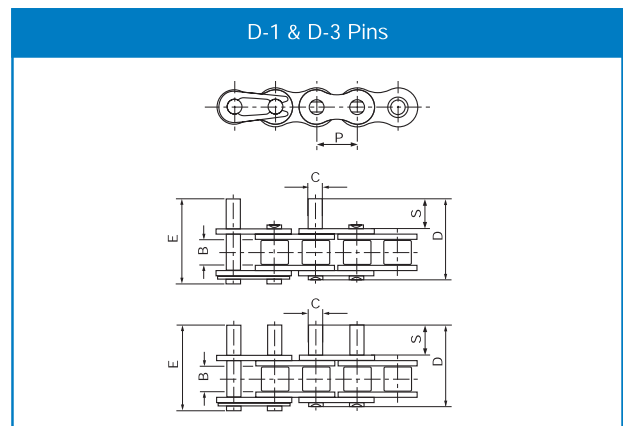
Special Transmission Roller Chain



ISO Chain number	Pitch	Roller diameter	Width between inner plates	Pin diameter	Pin length		Inner plate height	Plate thickness g/G	Minimum tensile strength kN	Average tensile strength kN	Weight kg/m
	P	A	B	C	D	E					
04BH	6.00	4.00	2.80	1.85	8.40	9.40	5.00	0.90	5.00	5.30	0.14
081	12.70	7.75	3.30	3.66	9.30	12.30	9.90	1.00	8.00	9.40	0.28
084	12.70	7.75	4.88	4.09	14.60	17.60	11.50	1.80	15.60	15.70	0.51
415	12.70	7.77	4.76	3.60	11.00	12.40	9.70	1.00	6.86	7.60	0.32
415H	12.70	7.77	4.76	3.96	13.10	14.50	12.00	1.50	14.40	16.10	0.55
415B/083	12.70	7.75	4.88	4.09	12.90	14.40	10.30	1.30	12.00	14.20	0.44
415BF1	12.70	7.75	4.88	4.09	11.50	13.00	10.30	1.00	9.00	10.60	0.38
423	12.70	8.51	6.40	4.45	15.60	17.10	12.40	1.70	19.60	21.90	0.71
478	12.70	7.80	4.80	4.00	11.60	13.65	10.46	1.25	9.80	12.80	0.39
08BF	12.70	8.51	5.55	4.45	14.60	16.10	11.80	1.60	17.80	19.20	0.66
12BH	19.05	12.07	11.68	5.94	25.20	26.80	16.00	2.42	40.00	44.40	1.45
12BHF1	19.05	12.07	11.68	6.10	25.00	27.20	16.50	2.50	44.00	48.80	1.46
16BF1	25.40	15.88	12.20	8.28	31.40	32.70	21.00	4.15/3.1	60.00	71.40	2.60
16BF2	25.40	15.88	17.02	8.28	38.60	39.80	21.00	4.15	60.00	71.40	3.08
16BF5	25.40	15.88	12.70	8.28	30.80	32.10	20.00	3.5/3.0	50.00	57.50	2.37
16BH	25.40	15.88	17.02	8.90	35.70	38.90	24.10	4.0/3.1	80.00	94.20	3.11
24BH	38.10	25.40	25.40	14.63	58.60	63.40	36.20	7.5/6.0	225.00	250.30	9.00

Extended Pin Chain

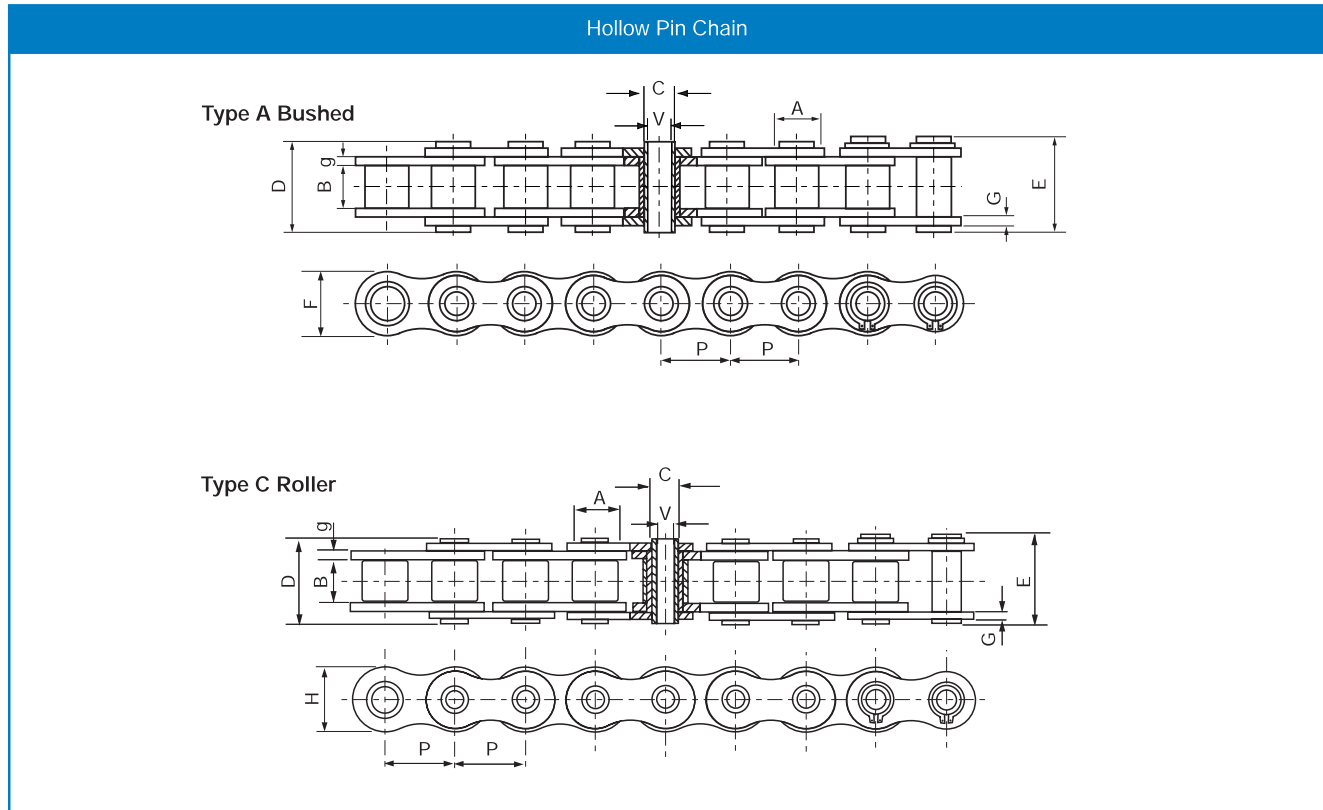
ISO Chain No.	ANSI Chain No.	P	B	C	S	D	E
	35	9.525	4.77	3.58	9.50	20.80	21.60
	40	12.700	7.85	3.96	9.50	25.10	26.20
	50	15.875	9.40	5.08	11.90	31.30	33.10
	60	19.050	12.57	5.94	14.30	38.60	40.60
	80	25.400	15.75	7.92	19.10	50.30	53.30
	100	31.750	18.90	9.53	23.80	61.80	66.10
	120	38.100	25.22	11.10	28.60	76.40	80.40
	140	44.450	25.22	12.70	33.30	84.80	89.40
	160	50.800	31.55	14.27	38.10	99.60	104.40
08B		12.700	7.75	4.45	9.50	25.10	26.60
10B		15.875	9.65	5.08	11.90	30.10	31.50
12B		19.050	11.68	5.72	14.30	35.40	37.10
16B		25.400	17.02	8.28	19.10	53.00	54.30



Standard boxed lengths are 5 metres or 10 feet. Each box contains one CL. Special lengths available.

Roller Chain

Hollow Pin Chain



Chain number	Pitch	Roller/Bush diameter	Width between inner plates	Pin diameter		Pin length		Inner plate height	Plate thickness	Minimum tensile strength	Average tensile strength	Weight	Type form
	P	A	B	C	V	D	E	F	g/G	kN	kN	kg/m	
08BHP(4.0)	12.700	8.51	7.75	6.55	4.00	16.4	17.6	11.80	1.6/1.3	11.10	12.1	0.60	A
08BHP(4.5)	12.700	8.51	7.75	6.55	4.50	16.4	17.6	11.80	1.6/1.3	11.10	12.1	0.56	A
10BHP	15.875	10.16	9.65	5.94	4.04	19.3	20.6	14.70	1.70	17.00	20.8	0.86	C
12BHP	19.050	12.07	11.68	6.50	4.00	21.6	22.8	15.90	1.85	23.60	25.9	1.09	C
40HP	12.700	7.95	7.85	5.63	4.00	16.5	17.6	12.00	1.50	11.00	12.2	0.54	A
50HP	15.875	10.16	9.40	7.03	5.13	20.7	21.9	15.09	2.03	20.00	22.6	0.91	A
60HP	19.050	11.91	12.70	8.31	6.00	25.8	26.8	18.00	2.42	24.00	26.9	1.29	A
60HPF1	19.050	11.91	12.70	8.31	5.01	25.5	26.8	18.00	2.42	28.00	30.9	1.37	A
60HB	19.050	11.91	12.70	7.00	5.01	25.5	26.6	18.00	2.42	20.00	22.4	1.35	C
80HP	25.400	15.88	15.75	11.40	8.05	32.5	33.8	24.00	3.25	50.00	58.3	2.26	A

Standard boxed lengths are 5 metres or 10 feet. Each box contains one CL. Special lengths available.

All dimensions in millimetres unless otherwise stated. Every effort has been taken to ensure that the data listed in this catalogue is correct. Challenge accepts no liability for any inaccuracies or damage caused.

Roller Chain

Special Chain - Challenge produce many special chains. The following pages are examples of a few. Contact Challenge for a quote on any special chains or attachments that aren't shown in our catalogue.

Special Chain with "U" Attachments

SIMPLEX

U1

U2

U3

DUPLEX

U1

U2

U3

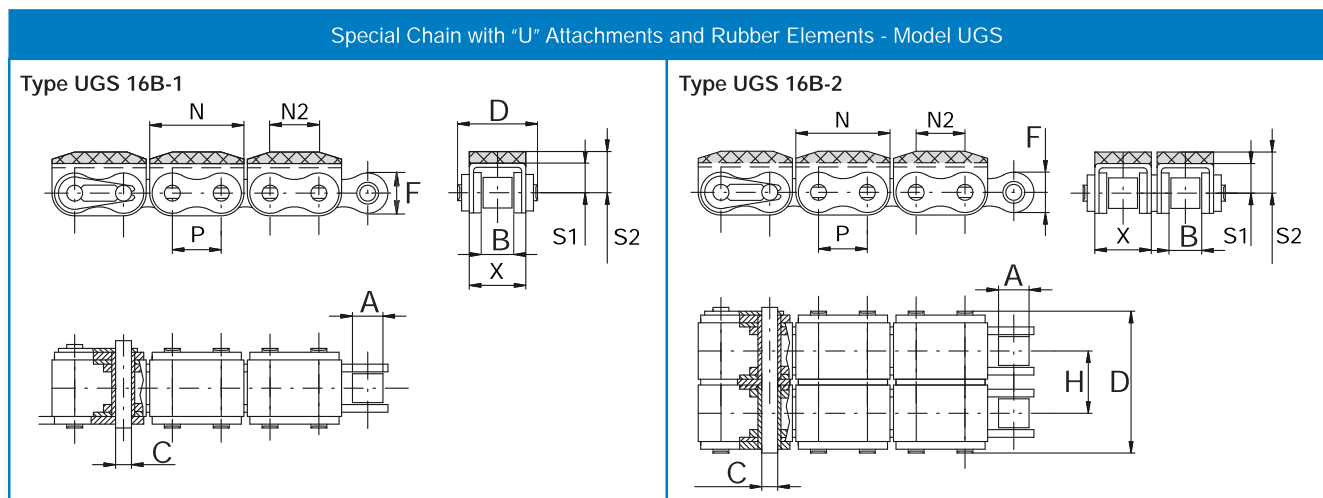
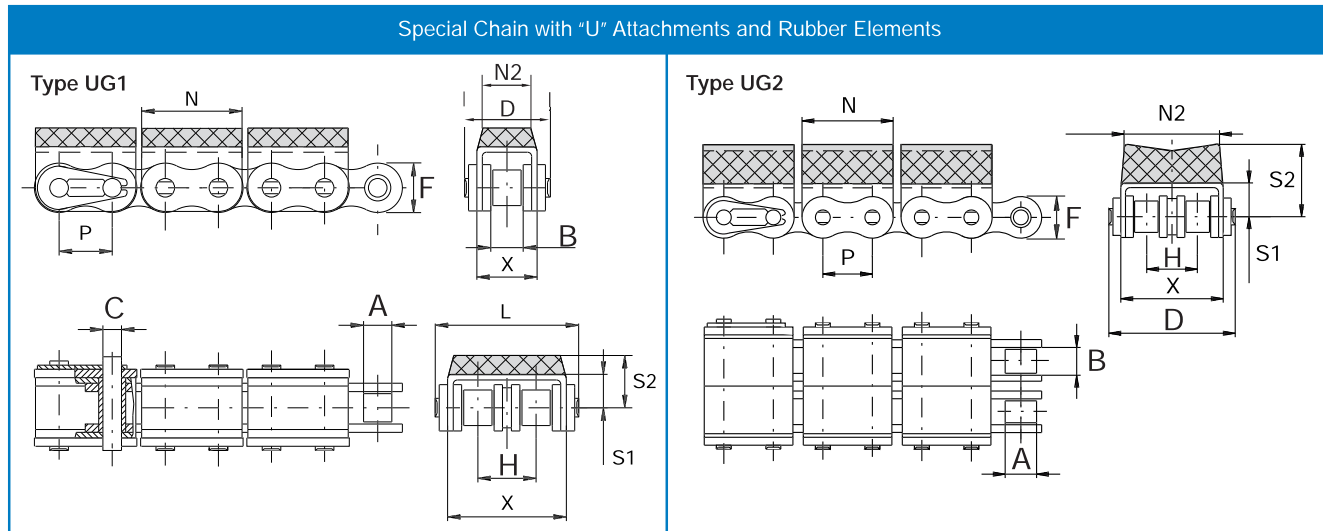
Chain number	Chain Pitch	Roller diameter	Width between inner plates	Pin diameter	Side Plate Height	Pin length	Hole diameter	Hole pitch				Tensile strength kN
	P	A	B	C	F	D	O	P1	X	N	S1	
08B-1/U1	12.700	8.51	7.75	4.45	11.8	20.4	-	-	14.4	24.0	8.5	14.60
08B-1/U2	12.700	8.51	7.75	4.45	11.8	20.4	5	-	14.4	24.0	8.5	14.60
08B-1/U3	12.700	8.51	7.75	4.45	11.8	20.4	5	12.7	14.4	24.0	8.5	14.60
08B-2/U1	12.700	8.51	7.75	4.45	11.8	34.4	-	-	28.4	24.0	8.1	28.60
08B-2/U2	12.700	8.51	7.75	4.45	11.8	34.4	4	14.0	28.4	24.0	8.1	28.60
08B-2/U3	12.700	8.51	7.75	4.45	11.8	34.4	4	12.7	28.4	24.0	8.1	28.60
10B-1/U1	15.875	10.16	9.65	5.08	14.7	22.8	-	-	16.4	30.0	10.6	18.20
10B-1/U2	15.875	10.16	9.65	5.08	14.7	22.8	5	-	16.4	30.0	10.6	18.20
10B-1/U3	15.875	10.16	9.65	5.08	14.7	22.8	5	15.8	16.4	30.0	10.6	18.20
10B-2/U1	15.875	10.16	9.65	5.08	14.7	39.0	-	-	33.3	30.0	10.6	36.30
10B-2/U2	15.875	10.16	9.65	5.08	14.7	39.0	5	16.6	33.3	30.0	10.6	36.30
10B-2/U3	15.875	10.16	9.65	5.08	14.7	39.0	5	15.8	33.3	30.0	10.6	36.30
12B-1/U1	19.050	12.07	11.68	5.72	16.0	26.5	-	-	19.4	35.0	13.0	23.60
12B-1/U2	19.050	12.07	11.68	5.72	16.0	26.5	5	-	19.4	35.0	13.0	23.60
12B-1/U3	19.050	12.07	11.68	5.72	16.0	26.5	5	19.0	19.4	35.0	13.0	23.60
12B-2/U1	19.050	12.07	11.68	5.72	16.0	46.5	-	-	39.4	35.0	12.0	46.60
12B-2/U2	19.050	12.07	11.68	5.72	16.0	46.5	5	19.5	39.4	35.0	12.0	46.60
12B-2/U3	19.050	12.07	11.68	5.72	16.0	46.5	5	19.0	39.4	35.0	12.0	46.60
16B-1/U1	25.400	15.88	17.02	8.28	21.0	39.2	-	-	29.4	49.0	15.4	58.00
16B-1/U2	25.400	15.88	17.02	8.28	21.0	39.2	5	-	29.4	49.0	15.4	58.00
16B-1/U3	25.400	15.88	17.02	8.28	21.0	39.2	5	25.4	29.4	49.0	15.4	58.00
16B-2/U1	25.400	15.88	17.02	8.28	21.0	73.0	-	-	29.4	49.0	15.4	98.00
16B-2/U2	25.400	15.88	17.02	8.28	21.0	73.0	5	-	29.4	49.0	15.4	98.00
16B-2/U3	25.400	15.88	17.02	8.28	21.0	73.0	5	25.4	29.4	49.0	15.4	98.00

Standard boxed lengths are 5 metres or 10 feet. Each box contains one CL. Special lengths available.

Every effort has been taken to ensure that the data listed in this catalogue is correct. Challenge accepts no liability for any inaccuracies or damage caused. All dimensions in millimetres unless otherwise stated.

Roller Chain

Special Chain with "U" Attachments and Rubber Elements



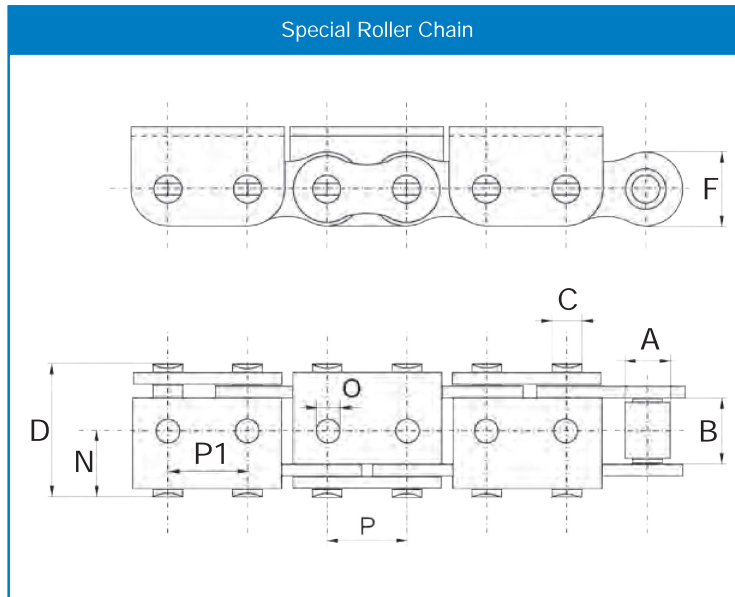
Chain Number	Chain Pitch	Roller diameter	Width between inner plates	Pin diameter	Side Plate Height	Pin length	"U" profile	"U" profile	"U" profile	"U" Profile height	"U" Profile height	Transverse pitch	Min. Tensile strength
	P	A	B	C	F	D	X	N	N2	S1	S2	H	kN
08B-1/UG1	12.700	8.51	7.75	4.45	11.80	20.40	14.4	24	10.0	8.50	13.00	-	14.60
08B-2/UG1	12.700	8.51	7.75	4.45	11.80	34.40	28.4	24	20.0	8.10	12.50	13.92	28.60
10B-1/UG1	15.875	10.16	9.65	5.08	14.70	22.80	16.4	30	13.5	10.60	17.00	-	18.20
10B-2/UG1	15.875	10.16	9.65	5.08	14.70	39.00	33.3	30	30.0	10.60	15.50	16.59	36.30
12B-1/UG1	19.050	12.07	11.68	5.72	16.00	26.50	19.4	35	12.0	13.00	21.00	-	23.60
12B-2/UG1	19.050	12.07	11.68	5.72	16.00	46.50	39.4	35	36.0	12.00	20.00	19.46	46.60
16B-1/UG1	25.400	15.88	17.02	8.28	21.00	39.20	29.4	49	22.0	15.40	21.40	-	58.00
16B-2/UG1	25.400	15.88	17.02	8.28	21.00	73.00	29.4	49	22.0	15.40	21.40	31.88	98.00
12B-1/UG2	19.050	12.07	11.68	5.72	16.00	26.50	19.4	35	13.5	13.00	21.00	-	23.60
12B-2/UG2	19.050	12.07	11.68	5.72	16.00	46.50	39.4	35	36.0	12.00	28.00	19.46	46.60
16B-1/UGS	25.400	15.88	17.02	8.28	21.00	39.20	29.4	49	25.4	15.40	21.40	-	58.00
16B-2/UGS	25.400	17.02	15.88	8.28	21.00	73.00	29.4	49	25.4	15.40	21.40	31.88	98.00

Standard boxed lengths are 5 metres or 10 feet. Each box contains one CL. Special lengths available.

All dimensions in millimetres unless otherwise stated. Every effort has been taken to ensure that the data listed in this catalogue is correct. Challenge accepts no liability for any inaccuracies or damage caused.

Roller Chain

Special Roller Chain

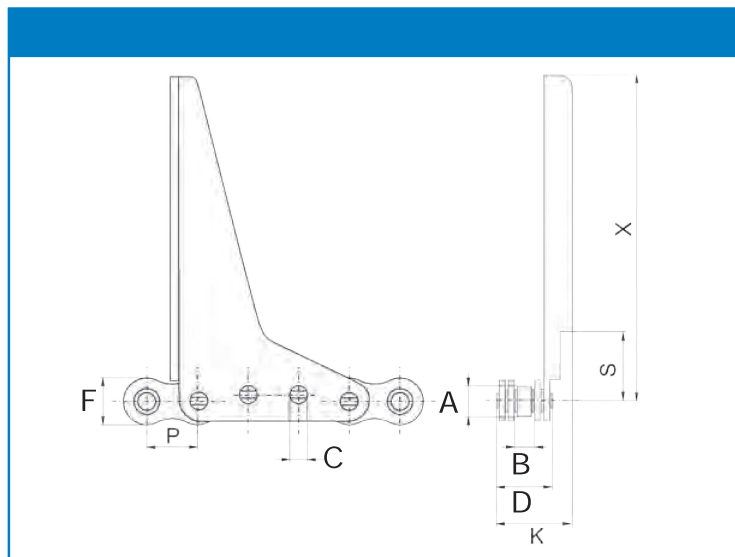


Chain number	Pitch	Width between inner plates	Roller diameter	Pin diameter	Pin length	Side plate height	Hole diameter	Hole pitch	Tensile strength	
	P	B	A	C	D	F	O	P1	N	kN
16B-1/P	25.4	17.02	15.88	8.28	36.1	21.0	6.5	25.4	15.9	58

Special Chain with Driver

Note: Various configurations of this chain are available.

Please provide dimensions when enquiring.



Chain number	Pitch	Roller diameter	Width between inner plates	Pin diameter	Pin length	Side plate height	Attachment width	Attachment height	Tensile strength	
	P	A	B	C	L	F	K	X	S	kN
08 X3/Z1	12.70	7.75	4.88	4.09	13.00	9.90	16.00	85.00	17.50	82.60

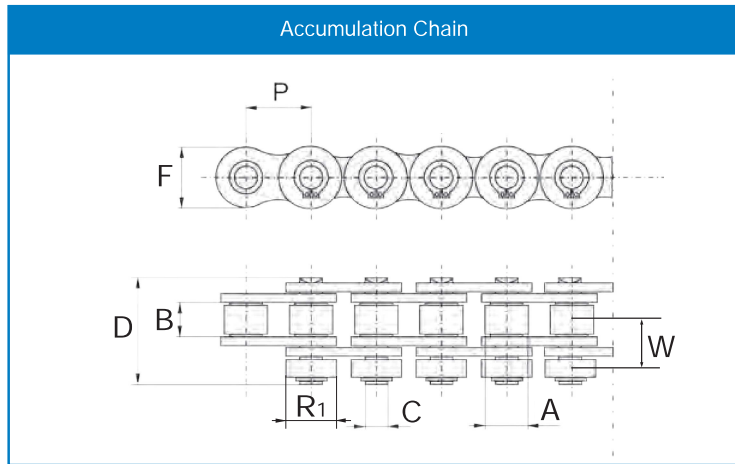
Every effort has been taken to ensure that the data listed in this catalogue is correct. Challenge accepts no liability for any inaccuracies or damage caused. All dimensions in millimetres unless otherwise stated.

Roller Chain

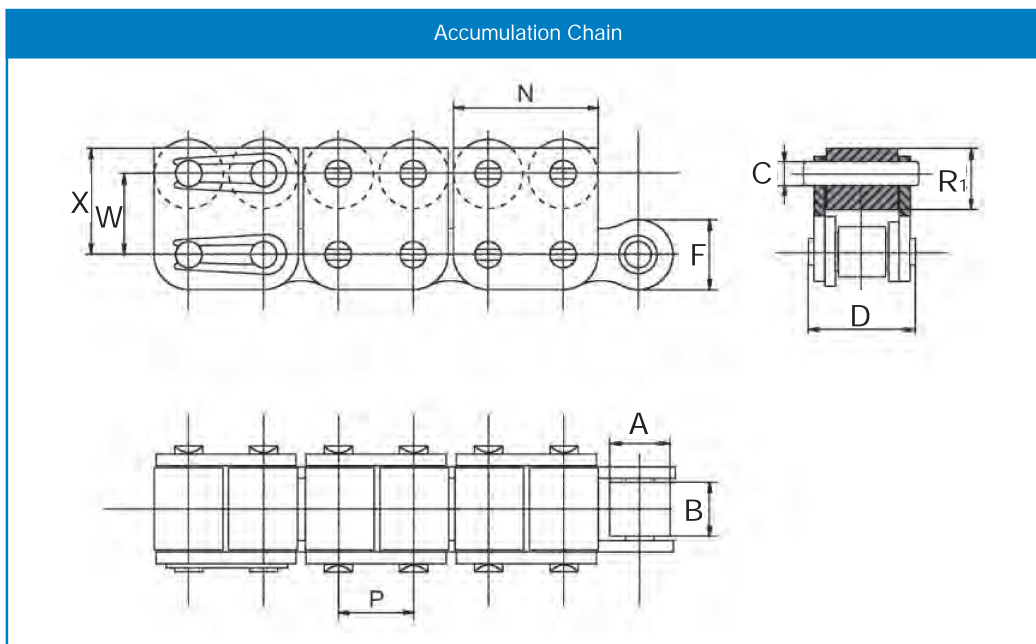
Accumulation Chain

Note: all accumulation chain is available with various roller dimensions as well as different pitches to those quoted below.

To avoid confusion please always supply the chain and accumulation roller dimensions.



Chain number	Pitch	Roller diameter	Width between inner plates	Pin diameter	Pin length	Roller diameter	Roller pitch	Tensile strength
	P	A	B	C	D	R_1	W	kN
10B-1/R	15.875	10.16	9.65	5.08	25.4	14.2	15.1	22.7

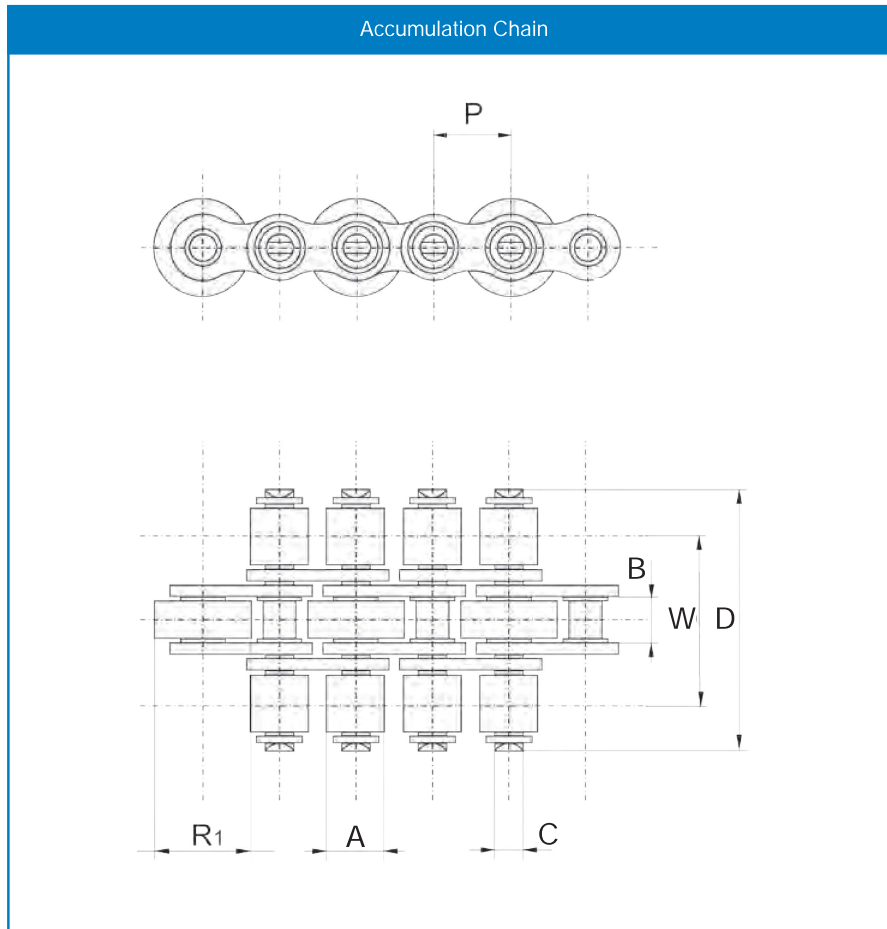


Chain number	Pitch	Roller diameter	Width between inner plates	Roller diameter	Pin diameter	Pin length	Inner plate height	W	X	N	Tensile strength
	P	A	B	R_1	C	D	F	W	X	N	kN
10B/R1	15.875	10.16	10.16	13.0	5.08	19.6	14.2	15.8	20.6	28.4	22.7

All dimensions in millimetres unless otherwise stated. Every effort has been taken to ensure that the data listed in this catalogue is correct. Challenge accepts no liability for any inaccuracies or damage caused.

Roller Chain

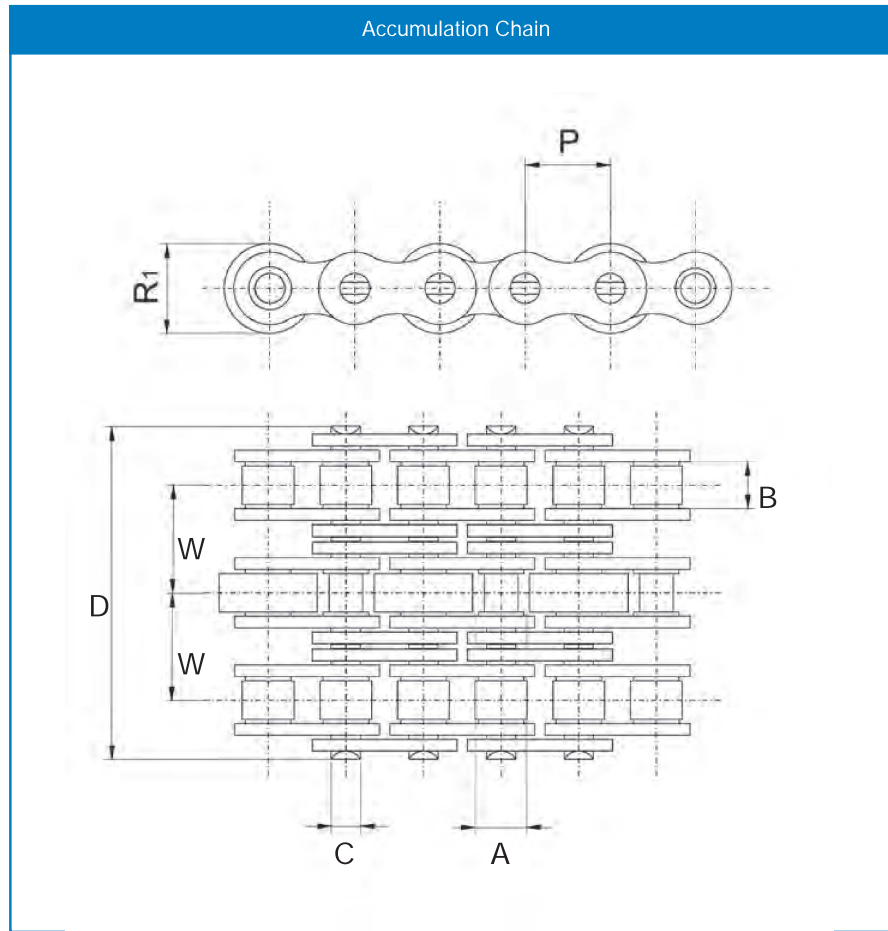
Accumulation Chain



Chain number	Pitch P	Roller diameter. A	Width between inner plates B	Pin diameter C	Pin length D	Roller diameter R1	Roller pitch W	Tensile strength kN	Weight kg/m
08B-1/S6	12.70	8.51	7.75	4.47	27	16.0	19.1	18.2	1.17
08B-1/S7	12.70	8.51	7.75	4.47	33	16.0	22.0	18.2	1.38
12B-1/S1	19.05	12.07	11.68	5.72	48	26.0	31.5	29.5	3.50
12B-1/S2	19.05	12.07	11.68	5.72	43	26.0	29.2	29.5	3.20
12B-1/S2a	19.05	12.07	11.68	5.72	43	24.0	29.2	29.5	2.80
12B-1/S3	19.05	12.07	11.68	5.72	40	28.0	27.0	29.5	3.40
16B-1/S5	25.40	15.88	17.02	8.28	65	38.5	44.9	58.0	7.00

Roller Chain

Accumulation Chain

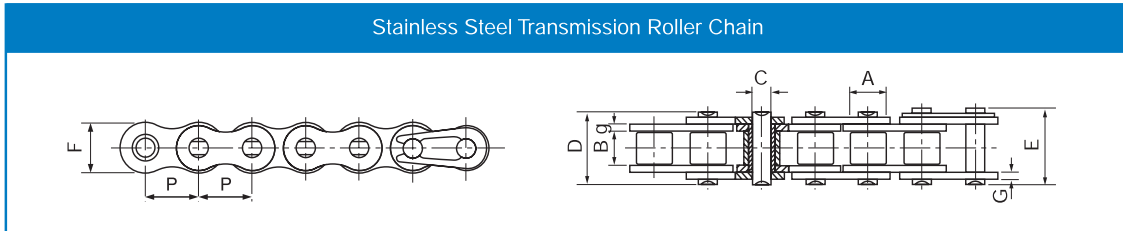


Chain number	Pitch	Roller diameter	Width between inner plate	Pin diameter	Pin length	Roller diameter	Roller pitch	Tensile strength
	P	A	B	C	D	R ₁	W	kN
12B-3/S2a	19.05	12.07	11.68	5.72	61.7	24.0	19.46	88.5
12B-3/S2	19.05	12.07	11.68	5.72	61.7	26.0	19.46	88.5

All dimensions in millimetres unless otherwise stated. Every effort has been taken to ensure that the data listed in this catalogue is correct. Challenge accepts no liability for any inaccuracies or damage caused.

Roller Chain

Stainless Steel Transmission Roller Chain (Grade 304)



ISO Chain number	ANSI Chain number	Pitch P	Roller diameter A	Width between inner plates B		Pin diameter C		Inner plate height F	Plate thickness g/G	Minimum tensile strength kN	Average tensile strength kN	Weight kg/m
				B	C	D	E					
	*35SS	9.525	5.08	4.77	3.58	12.40	13.17	9.00	1.30	5.50	6.60	0.33
	40SS	12.700	7.95	7.85	3.96	16.60	17.80	12.00	1.50	9.60	10.80	0.63
	50SS	15.875	10.16	9.40	5.08	20.70	22.20	15.09	2.03	15.20	17.20	1.03
	60SS	19.050	11.91	12.57	5.94	25.90	27.70	18.00	2.42	21.70	26.40	1.51
	80SS	25.400	15.88	15.75	7.92	32.70	35.00	24.00	3.25	38.90	46.60	2.62
	100SS	31.750	19.05	18.90	9.53	40.40	44.70	30.00	4.00	60.00	70.20	3.94
04BSS		6.000	4.00	2.80	1.85	6.80	7.80	5.00	0.60	2.00	2.40	0.11
05BSS		8.000	5.00	3.00	2.31	8.20	8.90	7.10	0.80	3.50	4.10	0.20
#06BSS		9.525	6.35	5.72	3.28	13.15	14.10	8.20	1.30	6.20	6.80	0.41
08BSS		12.700	8.51	7.75	4.45	16.70	18.20	11.80	1.60	12.00	14.30	0.70
10BSS		15.875	10.16	9.65	5.08	19.50	20.90	14.70	1.70	14.50	17.20	0.94
12BSS		19.050	12.07	11.68	5.72	22.50	24.20	16.00	1.85	18.50	20.90	1.16
16BSS		25.400	15.88	17.02	8.28	36.10	37.40	21.00	4.15/3.1	40.00	47.60	2.73
20BSS		31.750	19.05	19.56	10.19	41.30	45.00	26.40	4.5/3.5	59.00	69.60	3.73

* Bush chain: **A** in the table indicates the external diameter of the bush

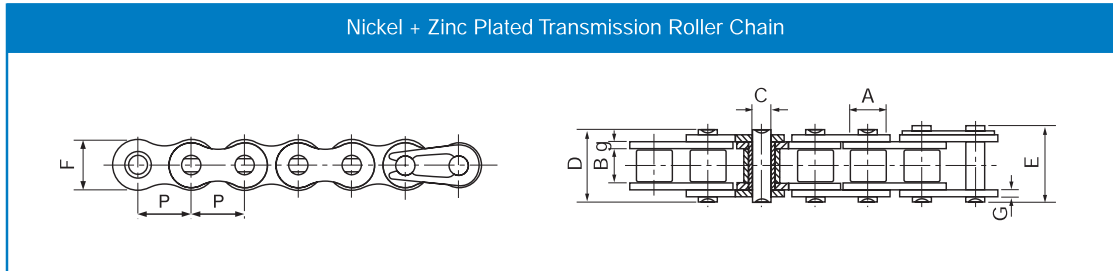
Straight side plate chain

Duplex and Triplex chains are also available.

Standard boxed lengths are 5 metres or 10 feet.
Each box contains one CL. Special lengths available.

Roller Chain

Nickel Plated Transmission Roller Chain



ISO Chain number	ANSI Chain number	Pitch	Roller diameter	Width between inner plates	Pin diameter	Pin length		Inner plate height F	Plate thickness g/G	Minimum tensile strength kN	Average tensile strength kN	Weight kg/m
		P	A	B	C	D	E					
	*25NP	6.350	3.30	3.18	2.31	7.90	8.40	6.00	0.80	3.50	4.60	0.15
	*35NP	9.525	5.08	4.77	3.58	12.40	13.17	9.00	1.30	7.90	10.80	0.33
	41NP	12.700	7.77	6.25	3.58	13.75	15.00	9.91	1.30	6.67	12.60	0.41
	40NP	12.700	7.95	7.85	3.96	16.60	17.80	12.00	1.50	14.10	17.50	0.62
	50NP	15.875	10.16	9.40	5.08	20.70	22.20	15.09	2.03	22.20	29.40	1.02
	60NP	19.050	11.91	12.57	5.94	25.90	27.70	18.00	2.42	31.80	41.50	1.50
	80NP	25.400	15.88	15.75	7.92	32.70	35.00	24.00	3.25	56.70	69.40	2.60
	100NP	31.750	19.05	18.90	9.53	40.40	44.70	30.00	4.00	88.50	109.20	3.91
04BNP		6.000	4.00	2.80	1.85	6.80	7.80	5.00	0.60	3.00	3.20	0.11
05BNP		8.000	5.00	3.00	2.31	8.20	8.90	7.10	0.80	5.00	5.90	0.20
#06BNP		9.525	6.35	5.72	3.28	13.15	14.10	8.20	1.30	9.00	10.40	0.41
08BNP		12.700	8.51	7.75	4.45	16.70	18.20	11.80	1.60	18.00	19.40	0.69
10BNP		15.875	10.16	9.65	5.08	19.50	20.90	14.70	1.70	22.40	27.50	0.93
12BNP		19.050	12.07	11.68	5.72	22.50	24.20	16.00	1.85	29.00	32.20	1.15
16BNP		25.400	15.88	17.02	8.28	36.10	37.40	21.00	4.15/3.1	60.00	72.80	2.71
20BNP		31.750	19.05	19.56	10.19	41.30	45.00	26.40	4.5/3.5	95.00	106.70	3.70

Duplex and Triplex chains are also available.

Zinc Plated Transmission Roller Chain

ISO Chain number	ANSI Chain number	Pitch	Roller diameter	Width between inner plates	Pin diameter	Pin length		Inner plate height F	Plate thickness g/G	Minimum tensile strength kN	Average tensile strength kN	Weight kg/m
		P	A	B	C	D	E					
	*25ZP	6.350	3.30	3.18	2.31	7.90	8.40	6.00	0.80	3.50	4.60	0.14
	*35ZP	9.525	5.08	4.77	3.58	12.40	13.17	9.00	1.30	7.90	10.80	0.33
	41ZP	12.700	7.77	6.25	3.58	13.75	15.00	9.91	1.30	6.67	12.60	0.41
	40ZP	12.700	7.95	7.85	3.96	16.60	17.80	12.00	1.50	14.10	17.50	0.62
	50ZP	15.875	10.16	9.40	5.08	20.70	22.20	15.09	2.03	22.20	29.40	1.02
	60ZP	19.050	11.91	12.57	5.94	25.90	27.70	18.00	2.42	31.80	41.50	1.50
	80ZP	25.400	15.88	15.75	7.92	32.70	35.00	24.00	3.25	56.70	69.40	2.60
	100ZP	31.750	19.05	18.90	9.53	40.40	44.70	30.00	4.00	88.50	109.20	3.91
04BZP		6.000	4.00	2.80	1.85	6.80	7.80	5.00	0.60	3.00	3.20	0.11
05BZP		8.000	5.00	3.00	2.31	8.20	8.90	7.10	0.80	5.00	5.90	0.20
#06BZP		9.525	6.35	5.72	3.28	13.15	14.10	8.20	1.30	9.00	10.40	0.41
08BZP		12.700	8.51	7.75	4.45	16.70	18.20	11.80	1.60	18.00	19.40	0.69
10BZP		15.875	10.16	9.65	5.08	19.50	20.90	14.70	1.70	22.40	27.50	0.93
12BZP		19.050	12.07	11.68	5.72	22.50	24.20	16.00	1.85	29.00	32.20	1.15
16BZP		25.400	15.88	17.02	8.28	36.10	37.40	21.00	4.15/3.1	60.00	72.80	2.71
20BZP		31.750	19.05	19.56	10.19	41.30	45.00	26.40	4.5/3.5	95.00	106.70	3.70

* Bush chain: A in the table indicates the external diameter of the bush

Straight side plate chain

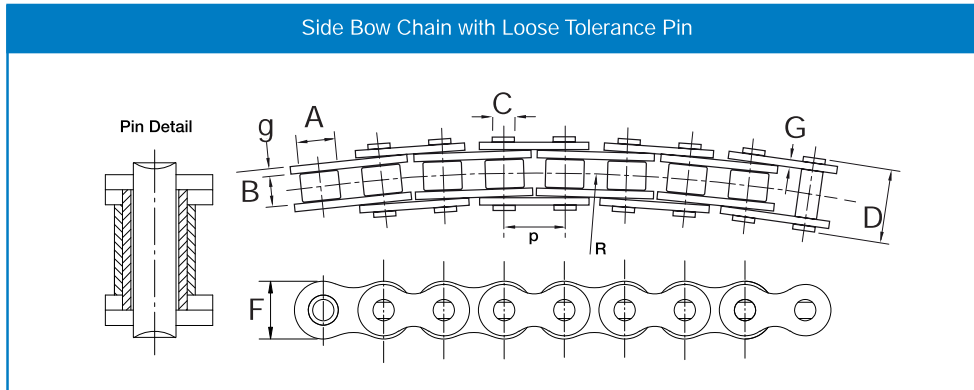
Duplex and Triplex chains are also available.

Standard boxed lengths are 5 metres or 10 feet.
Each box contains one CL. Special lengths available.

All dimensions in millimetres unless otherwise stated. Every effort has been taken to ensure that the data listed in this catalogue is correct. Challenge accepts no liability for any inaccuracies or damage caused.

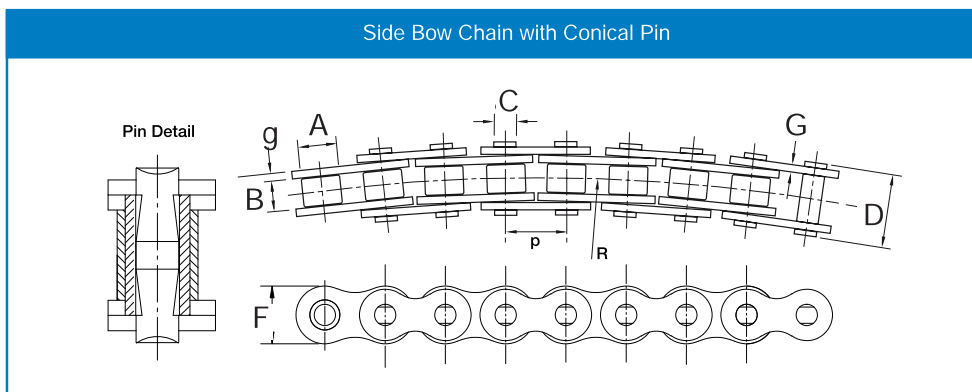
Roller Chain

Side Bow Chain with Loose Tolerance Pin



Chain number	Pitch	Roller diameter	Width between inner plates	Pin diameter	Pin length	Inner plate height	Plate thickness	Min. side bow radius	Average tensile strength	Weight
	P	A	B	C	D	F	g/G	R	kN	kg/m
40SB	12.700	7.95	7.85	3.45	16.9	11.7	1.50	350	11.00	0.80
50SB	15.875	10.16	9.40	4.37	20.7	14.9	2.03	400	20.00	1.09
60SB	19.050	11.91	12.57	5.34	26.6	18.0	2.42	500	28.00	1.54
63SB	19.050	11.91	12.68	5.08	28.8	17.2	2.42 / 2.03	350	25.00	1.40
80SB	25.400	15.88	15.75	7.19	34.0	24.0	3.25	715	39.00	2.60
08BSB	12.700	8.51	7.75	3.97	17.4	11.8	1.50	400	11.20	0.70
08BSBF1	12.700	8.51	7.75	3.97	16.3	11.8	1.60 / 1.20	400	11.00	0.65
10BSB	15.875	10.16	9.65	4.50	20.1	14.7	1.70	400	18.70	0.93
12BSB	19.050	12.07	11.68	5.12	23.1	16.0	1.85	500	21.00	1.16
16BSB	25.400	15.88	17.22	7.90	36.5	21.0	3.70 - 3.00	500	53.50	2.53

Side Bow Chain with Conical Pin



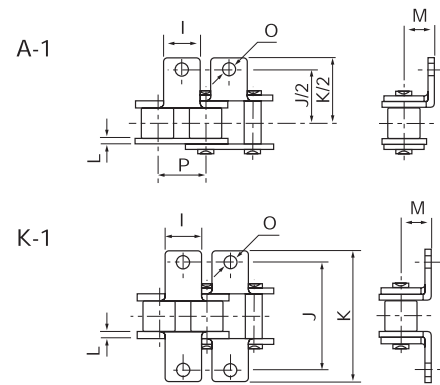
Chain number	Pitch	Roller diameter	Width between inner plates	Pin diameter	Pin length	Inner plate height	Plate thickness	Min. side bow radius	Average tensile strength	Weight
	P	A	B	C	D	F	g/G	R	kN	kg/m
40SB	12.700	7.95	7.85	3.98	16.9	11.7	1.50	350	11.00	0.80
50SB	15.875	10.16	9.40	5.08	20.7	14.9	2.03	400	20.00	1.09
60SB	19.050	11.91	12.57	5.94	26.6	18.0	2.42	500	28.00	1.54
80SB	25.400	15.88	15.75	7.92	34.0	24.0	3.25	711	39.00	2.60
08BSB	12.700	8.51	7.75	4.45	17.4	11.8	1.50	400	11.20	0.70
08BSBF1	12.700	8.51	7.75	4.45	16.3	11.8	1.60 - 1.20	400	11.00	0.65
10BSB	15.875	10.16	9.65	5.08	20.1	14.7	1.70	400	18.70	0.93
12BSB	19.050	12.07	11.68	5.72	23.1	16.0	1.85	500	21.00	1.16
16BSB	25.400	15.88	17.22	8.28	36.5	21.0	3.70 - 3.00	500	53.50	2.53
C2050SB	31.750	10.16	9.40	5.08	21.3	15.0	2.03	800	20.50	0.84

Every effort has been taken to ensure that the data listed in this catalogue is correct. Challenge accepts no liability for any inaccuracies or damage caused. All dimensions in millimetres unless otherwise stated.

Roller Chain Attachments

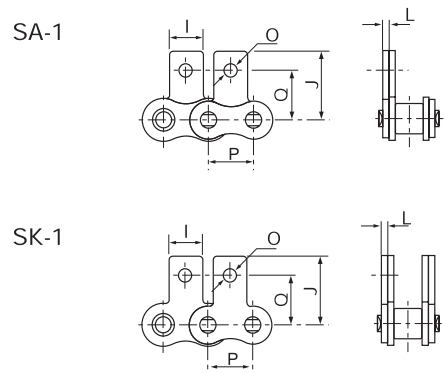
A-1 & K-1 Attachments

ISO No.	ANSI No.	P	I	J	K	L	M	O
	40	12.700	9.50	25.40	35.20	1.50	7.90	3.40
	50	15.875	12.70	31.75	46.20	2.03	10.30	5.50
	60	19.050	15.90	38.10	55.60	2.42	11.90	5.50
	80	25.400	19.10	50.80	64.80	3.25	15.90	6.80
	100	31.750	25.40	63.50	87.30	4.00	19.80	9.20
	120	38.100	28.60	76.20	108.50	4.80	23.00	9.80
	140	44.450	34.90	88.90	123.00	5.60	28.60	11.40
	160	50.800	38.10	101.60	142.80	6.40	31.80	13.10
*06B		9.525	8.00	19.04	27.00	1.30	6.50	3.50
08B		12.700	9.50	25.40	36.40	1.60	8.90	4.50
10B		15.875	14.30	31.75	44.60	1.70	10.31	5.30
12B		19.050	16.00	38.10	52.40	1.85	13.46	6.40
16B		25.400	19.10	50.80	72.60	3.10	15.88	6.40



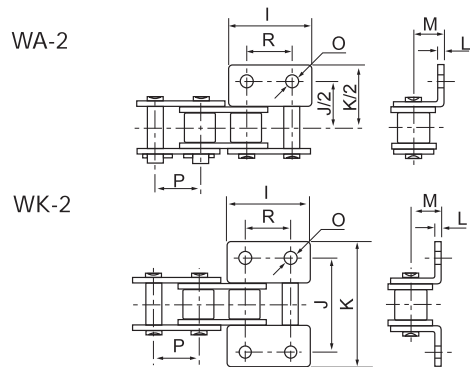
SA-1 & SK-1 Attachments

ISO No.	ANSI No.	P	I	J	Q	L	O
	40	12.700	9.50	19.05	12.70	1.50	3.40
	50	15.875	12.70	25.25	15.90	2.03	5.50
	60	19.050	15.90	29.33	18.30	2.42	5.50
	80	25.400	19.10	34.70	24.60	3.25	6.80
	100	31.750	25.40	43.30	31.80	4.00	9.20
	120	38.100	28.60	51.60	36.50	4.80	9.80
	140	44.450	34.90	62.00	44.50	5.60	11.40
	160	50.800	38.10	69.85	50.80	6.40	13.10
*06B		9.525	8.00	13.50	9.52	1.30	3.50
08B		12.700	9.50	18.90	13.35	1.60	4.30
10B		15.875	14.30	22.95	16.50	1.70	5.30
12B		19.050	16.00	28.60	21.45	1.85	6.40
16B		25.400	19.10	34.00	23.15	3.10	6.40



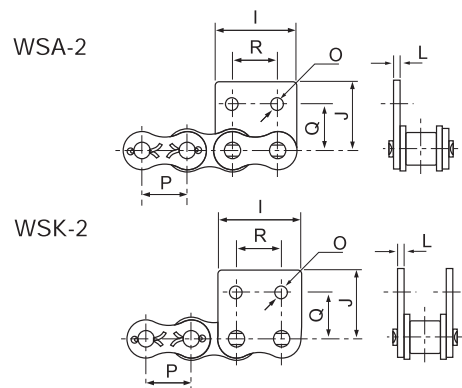
WA-2 & WK-2 Attachments

ISO No.	ANSI No.	P	I	R	J	K	L	M	O
	40	12.700	23.00	12.70	25.40	35.60	1.50	7.90	3.40
	50	15.875	28.80	15.88	31.80	46.80	2.03	10.30	5.50
	60	19.050	34.65	19.05	38.10	56.40	2.42	11.90	5.50
	80	25.400	45.90	25.40	50.80	73.20	3.25	15.90	6.80
	100	31.750	57.65	31.75	63.50	89.80	4.00	19.80	9.20
08B		12.700	24.00	12.70	25.40	36.40	1.60	8.90	4.30
10B		15.875	29.58	15.88	31.80	44.60	1.70	10.31	5.30
12B		19.050	34.05	19.05	38.10	52.40	1.85	13.46	6.40
16B		25.400	46.40	25.40	50.80	72.60	3.10	15.88	6.40



WSA-2 & WSK-2 Attachments

ISO No.	ANSI No.	P	I	R	J	Q	L	O
	40	12.700	23.00	12.70	17.40	12.70	1.50	3.40
	50	15.875	28.80	15.88	23.05	15.90	2.03	5.50
	60	19.050	34.65	19.05	26.86	18.30	2.42	5.50
	80	25.400	45.90	25.40	35.45	24.60	3.25	6.80
	100	31.750	57.65	31.75	44.00	31.80	4.00	9.20
08B		12.700	23.30	12.70	18.90	13.35	1.60	4.30
10B		15.875	29.58	15.88	22.95	16.50	1.70	5.30
12B		19.050	34.05	19.05	28.60	21.45	1.85	6.40
16B		25.400	46.40	25.40	34.00	23.15	3.10	6.40



* Straight side plates

All dimensions in millimetres unless otherwise stated. Every effort has been taken to ensure that the data listed in this catalogue is correct. Challenge accepts no liability for any inaccuracies or damage caused.

Roller Chain Attachments

Attachment Chain Designation

1. Standard Chains with bent attachment A1 - one hole - one side - every outer	
	Chain Reference
	06BA-2
	08BA-2
	10BA-2
	12BA-2
16BA-2	

7. Standard Chains with straight attachment SA1 - one hole - one side - every outer	
	Chain Reference
	06BSA-2
	08BSA-2
	10BSA-2
	12BSA-2
16BSA-2	

2. Standard Chains with bent attachment K1 - one hole - both sides - every outer	
	Chain Reference
	06BK-2
	08BK-2
	10BK-2
	12BK-2
16BK-2	

8. Standard Chains with straight attachment SK1 - one hole - both sides - every outer	
	Chain Reference
	06BSK-2
	08BSK-2
	10BSK-2
	12BSK-2
16BSK-2	

3. Standard Chains with bent attachment A1 - one hole - one side - every outer and inner	
	Chain Reference
	06BA-1
	08BA-1
	10BA-1
	12BA-1
16BA-1	

9. Standard Chains with straight attachment SA1 - one hole - one side - every outer and inner	
	Chain Reference
	06BSA-1
	08BSA-1
	10BSA-1
	12BSA-1
16BSA-1	

4. Standard Chains with bent attachment K1 - one hole - both sides - every outer and inner	
	Chain Reference
	06BK-1
	08BK-1
	10BK-1
	12BK-1
16BK-1	

10. Standard Chains with straight attachment SK1 - one hole - both sides - every outer and inner	
	Chain Reference
	06BSK-1
	08BSK-1
	10BSK-1
	12BSK-1
16BSK-1	

5. Standard Chains with bent attachment WA2 - two holes - one side - every outer	
	Chain Reference
	06BWA-2
	08BWA-2
	10BWA-2
	12BWA-2
16BWA-2	

11. Standard Chains with straight attachment WSA2 - two holes - one side - every outer	
	Chain Reference
	06BWSA-2
	08BWSA-2
	10BWSA-2
	12BWSA-2
16BWSA-2	

6. Standard Chains with bent attachment WK2 - two holes - both sides - every outer	
	Chain Reference
	06BWK-2
	08BWK-2
	10BWK-2
	12BWK-2
16BWK-2	

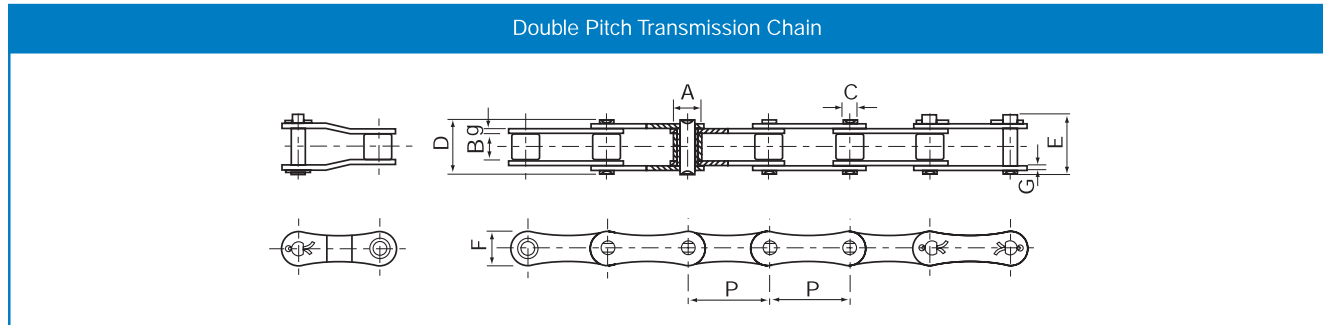
12. Standard Chains with straight attachment WSK2 - two holes - both sides - every outer	
	Chain Reference
	06WSK-2
	08WSK-2
	10WSK-2
	12WSK-2
16WSK-1	

Standard boxed lengths are 5 metres or 10 feet.
Special lengths available.

Every effort has been taken to ensure that the data listed in this catalogue is correct. Challenge accepts no liability for any inaccuracies or damage caused. All dimensions in millimetres unless otherwise stated.

Double Pitch Chain

Double Pitch Transmission Chain



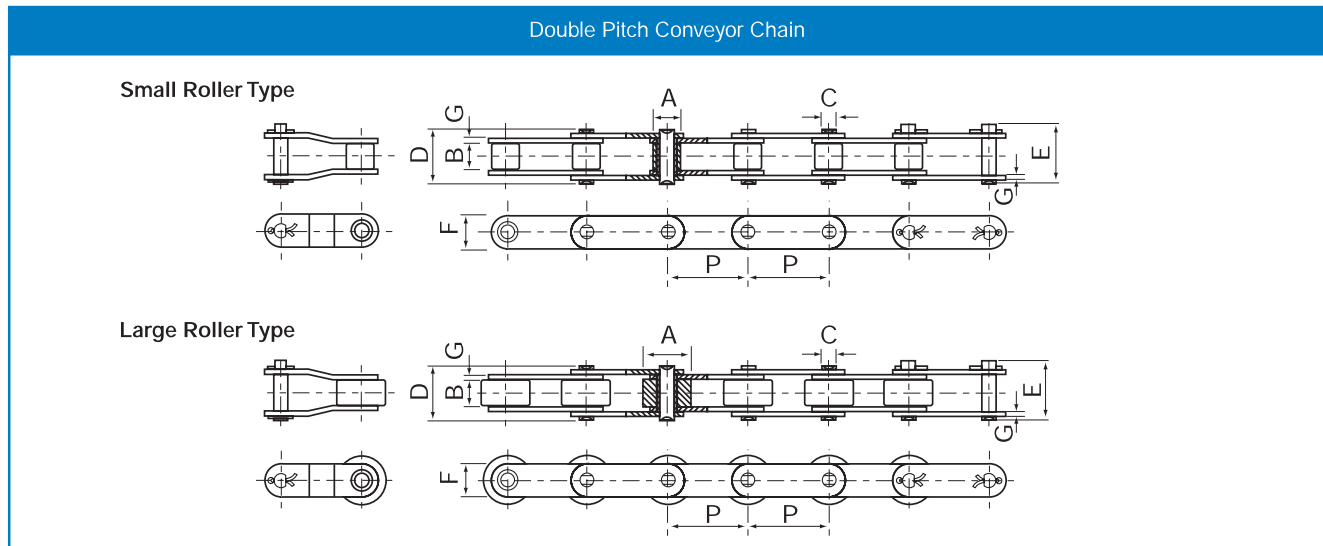
ISO Chain number	ANSI Chain number	Pitch	Roller diameter	Width between inner plates	Pin diameter	Pin length		Inner plate height	Plate thickness g/G	Minimum tensile strength kN	Average tensile strength kN	Weight kg/m
		P	A	B	C	D	E					
208B	A2040	25.40	7.95	7.85	3.96	16.60	17.80	12.00	1.50	14.10	16.70	0.42
		25.40	8.51	7.75	4.45	16.70	18.20	11.80	1.60	18.00	19.40	0.45
210B	A2050	31.75	10.16	9.40	5.08	20.70	22.20	15.00	2.03	22.20	28.10	0.73
		31.75	10.16	9.65	5.08	19.50	20.90	14.70	1.70	22.40	27.50	0.65
212B	A2060	38.10	11.91	12.57	5.94	25.90	27.70	18.00	2.42	31.80	36.80	1.02
		38.10	12.07	11.68	5.72	22.50	25.20	16.00	1.85	29.00	32.20	0.76
216AH	A2080	50.80	15.88	15.75	7.92	32.70	36.50	24.00	3.25	56.70	65.70	1.70
		50.80	15.88	15.75	7.92	36.20	39.40	24.00	4.00	56.70	70.00	2.17
216B		50.80	15.88	17.02	8.28	36.10	39.10	21.00	4.15/3.1	60.00	72.80	1.75
	A2100	63.50	19.05	18.90	9.53	40.40	44.70	30.00	4.00	88.50	102.60	2.55
220B		63.50	19.05	19.56	10.19	41.30	45.00	26.40	4.5/3.5	95.00	106.70	2.62
	A2120	76.20	22.23	25.22	11.10	50.30	54.30	35.70	4.80	127.00	147.30	4.06
224B		76.20	25.40	25.40	14.63	53.40	57.80	33.20	6.0/4.8	160.00	178.00	4.70
228B		88.90	27.94	30.99	15.90	65.10	69.50	36.70	7.5/6.0	200.00	222.00	6.23
232B		101.60	29.21	30.99	17.81	66.00	71.00	42.00	7.0/6.0	250.00	277.50	6.72

Standard boxed lengths are 5 metres or 10 feet. Each box contains one CL. Special lengths available.

All dimensions in millimetres unless otherwise stated. Every effort has been taken to ensure that the data listed in this catalogue is correct. Challenge accepts no liability for any inaccuracies or damage caused.

Double Pitch Chain

Double Pitch Conveyor Chain



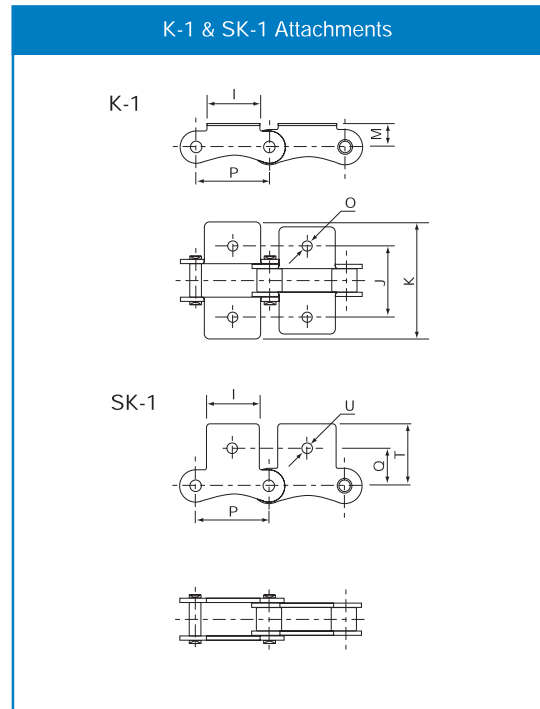
ISO Chain number	ANSI Chain number	Pitch P	Roller diameter A	Width between inner plates B	Pin diameter C	Pin length		Side plate height F	Plate thickness G	Minimum tensile strength kN	Average tensile strength kN	Weight kg/m
						D	E					
	C2040 C2042	25.40	7.95 15.88	7.85	3.96	16.60	17.80	12.00	1.50	14.10	16.70	0.50 0.84
	C2040H	25.40	7.95	7.85	3.96	18.80	19.90	12.00	2.03	14.10	17.20	0.65
	C208B C208BL	25.40	8.51 15.88	7.75	4.45	16.70	18.20	11.80	1.60	18.00	19.40	0.55 0.89
	C2050 C2052	31.75	10.16 19.05	9.40	5.08	20.70	22.20	15.00	2.03	22.20	28.10	0.78 1.27
	C2060 C2062	38.10	11.91 22.23	12.57	5.94	25.90	27.70	18.00	2.42	31.80	36.80	1.12 1.61
	C2060H C2062H	38.10	11.91 22.23	12.57	5.94	29.20	31.60	18.00	3.25	31.80	41.60	1.44 2.07
	C2080 C2082	50.80	15.88 28.58	15.75	7.92	32.70	36.50	24.00	3.25	56.70	65.70	2.08 3.12
	C2080H C2082H	50.80	15.88 28.58	15.75	7.92	36.20	39.40	24.40	4.00	56.70	70.00	2.54 3.58
	C2100 C2102	63.50	19.05 39.67	18.90	9.53	40.40	44.70	30.00	4.00	88.50	102.60	3.01 4.83
	C2100H C2102H	63.50	19.05 39.67	18.90	9.53	43.60	46.90	30.00	4.80	88.50	112.40	3.56 5.38
	C2120 C2122	76.20	22.23 44.45	25.22	11.10	50.30	54.30	35.70	4.80	127.00	147.30	4.66 7.66
	C2120H C2122H	76.20	22.23 44.45	25.22	11.10	53.50	57.50	35.70	5.60	127.00	160.90	5.26 8.26
	C2160 C2162	101.60	28.58 57.15	31.75	14.27	64.80	69.60	47.80	6.40	226.80	278.90	8.23 11.95
	C2160H C2162H	101.60	28.58 57.15	31.75	14.27	68.20	73.00	47.80	7.20	226.80	285.80	9.06 12.77

Standard boxed lengths are 5 metres or 10 feet. Each box contains one CL. Special lengths available.

Double Pitch Attachments

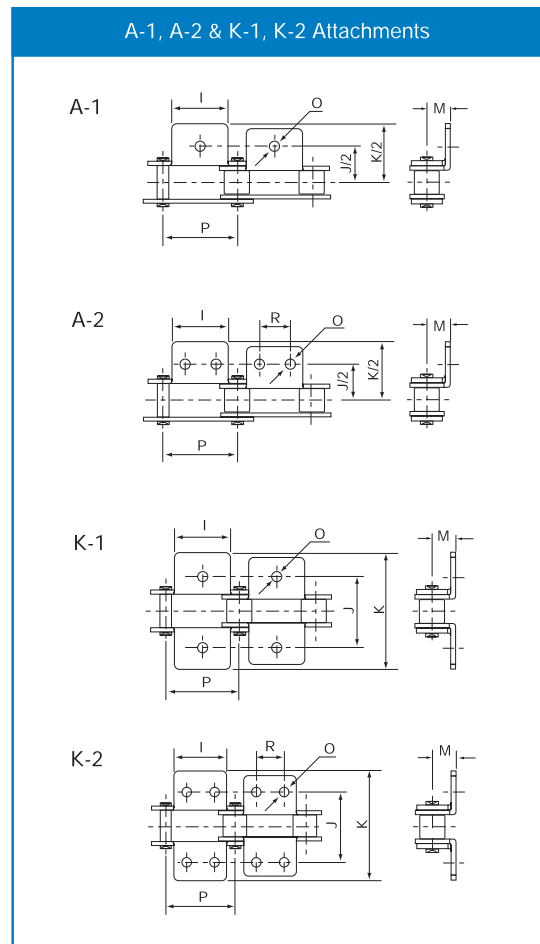
K-1 & SK-1 Attachments

ANSI Chain number	P	I	J	K	M	O	Q	T	U
A2040	25.40	19.1	25.4	39.6	9.1	3.4	11.1	20.5	5.5
A2050	31.75	23.8	31.8	49.0	11.1	5.5	14.3	25.0	6.6
A2060	38.10	28.6	42.9	67.8	14.7	5.5	17.5	32.9	9.2
A2080	50.80	38.1	55.6	87.8	19.1	6.8	22.2	43.5	11.0
A2100	63.50	47.6	66.6	107.5	23.4	9.2	28.6	50.4	13.0
A2120	76.20	57.2	79.3	127.5	27.8	11.0			



A-1, A-2 & K-1, K-2 Attachments

ISO Chain number	ANSI Chain number	P	I	R	J	K	M	O
	C2040 C2042	25.40	19.10	9.50	25.40	39.60	9.10	3.40
C208B C208BL		25.40	23.20	12.70	25.40	39.60	9.10	4.50
	C2050 C2052	31.75	23.80	11.90	31.80	49.00	11.10	5.50
	C2060 C2062	38.10	28.60	14.30	42.90	67.80	14.70	5.50
	C2060H C2062H	38.10	28.60	14.30	42.90	67.80	14.70	5.50
	C2080 C2082	50.80	38.10	19.10	55.60	87.80	19.10	6.80
	C2080H C2082H	50.80	38.10	19.10	55.60	87.80	19.10	6.80
	C2100 C2102	63.50	47.60	23.80	66.60	107.50	23.40	9.20
	C2100H C2102H	63.50	47.60	23.80	66.60	107.50	23.40	9.20
	C2120 C2122	76.20	57.20	28.60	79.30	121.40	27.80	11.00
	C2120H C2122H	76.20	57.20	28.60	79.30	121.40	27.80	11.00
	C2160 C2162	101.60	76.20	38.10	104.70	151.60	36.50	13.10
	C2160H C2162H	101.60	76.20	38.10	104.70	151.60	36.50	13.10

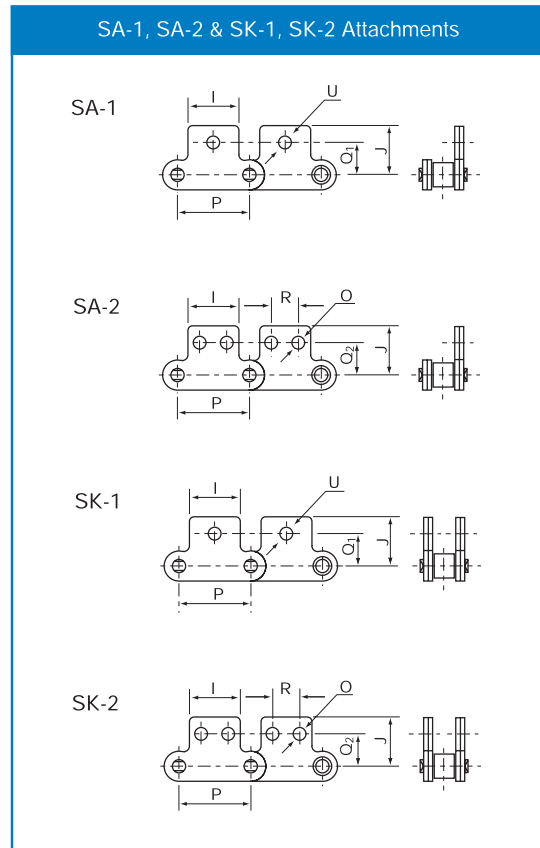


All dimensions in millimetres unless otherwise stated. Every effort has been taken to ensure that the data listed in this catalogue is correct. Challenge accepts no liability for any inaccuracies or damage caused.

Double Pitch Attachments

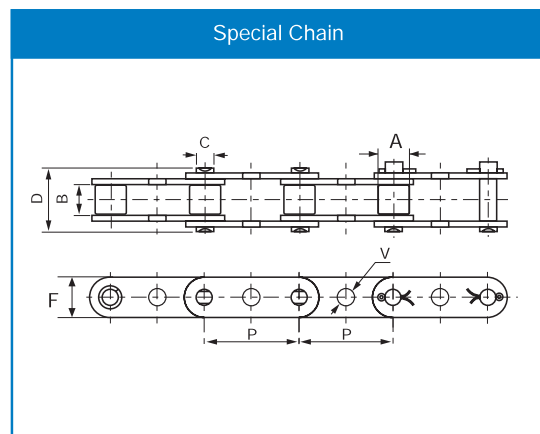
SA-1, SA-2 & SK-1, SK-2 Attachments

ISO Chain number	ANSI Chain number	P	I	R	Q ₁	Q ₂	J	O	U
	C2040 C2042	25.40	19.10	9.50	11.10	13.50	20.50	3.40	5.50
C208B C208BL		25.40	23.20	12.70	11.10	13.50	20.50	4.50	5.50
	C2050 C2052	31.75	23.80	11.90	14.30	15.90	25.00	5.50	6.60
	C2060 C2062	38.10	28.60	14.30	17.50	19.10	32.90	5.50	9.20
	C2060H C2062H	38.10	28.60	14.30	17.50	19.10	32.90	5.50	9.20
	C2080 C2082	50.80	38.10	19.10	22.20	25.40	43.50	6.60	11.00
	C2080H C2082H	50.80	38.10	19.10	22.20	25.40	43.50	6.60	11.00
	C2100 C2102	63.50	47.60	23.80	28.60	31.80	50.40	8.40	13.00
	C2100H C2102H	63.50	47.60	23.80	28.60	31.80	50.40	8.40	13.00



Special Chain (Attachment Holes in Side Plate)

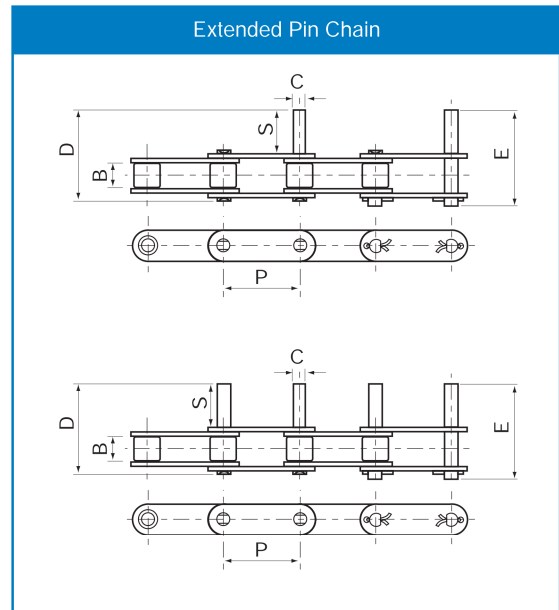
ANSI Chain number	Pitch	Roller diameter	Width between inner plates	Pin diameter	Pin length	Side plate height	Side plate hole diameter
	P	A	B	C	D	F	V
C2040 C2042	25.40	7.95 15.88	7.85	3.96	16.60	12.00	4.10
C2050 C2052	31.75	10.16 19.05	9.40	5.08	20.70	15.00	5.10
C2060 C2062	38.10	11.91 22.23	12.57	5.94	25.90	18.00	6.10
C2060H C2062H	38.10	11.91 22.23	12.57	5.94	29.20	18.00	6.10
C2080 C2082	50.80	15.88 28.58	15.75	7.92	32.70	24.00	8.10
C2080H C2082H	50.80	15.88 28.58	15.75	7.92	36.20	24.00	8.10
C2100 C2102	63.50	19.05 39.67	18.90	9.53	40.40	30.00	10.10
C2100H C2102H	63.50	19.05 39.67	18.90	9.53	43.60	30.00	10.10



Double Pitch Chain

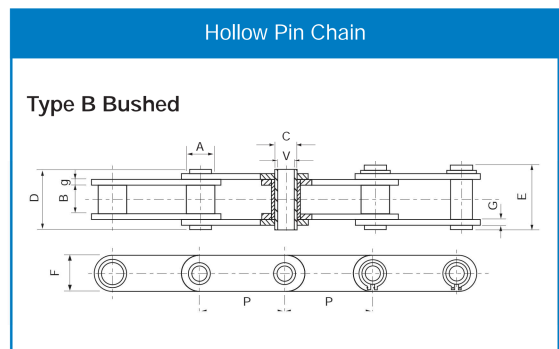
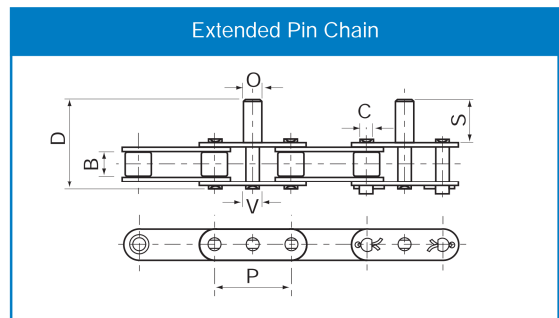
Extended Pin Chain

ANSI Chain number	Pitch					
	P	B	C	S	D	E
C2040 C2042	25.40	7.85	3.96	9.50	25.10	26.20
C2050 C2052	31.75	9.40	5.08	11.90	31.30	33.10
C2060 C2062	38.10	12.57	5.94	14.30	38.60	40.60
C2060H C2062H	38.10	12.57	5.94	14.30	42.00	43.80
C2080 C2082	50.80	15.75	7.92	19.10	50.30	53.30
C2080H C2082H	50.80	15.75	7.92	19.10	53.50	55.00
C2100 C2102	63.50	18.90	9.53	23.80	61.80	66.10
C2100H C2102H	63.50	18.90	9.53	23.80	65.00	68.30
C2120H C2122H	76.20	25.22	11.10	28.60	79.60	83.60
C2160H C2162H	101.60	31.75	14.27	38.10	103.00	107.80



Extended Pin Chain

Chain number	Pitch						
	P	B	C	V	O	S	D
C2060H	38.10	12.57	5.94	5.94	8.00	25.00	53.00
C2060H	38.10	12.57	5.94	8.08	10.00	35.00	63.00
C2060H	38.10	12.57	5.94	5.94	12.70	41.20	69.20
C2060H	38.10	12.57	5.94	5.94	14.28	41.20	69.20



Hollow Pin Chain - Bushed Type (No Roller)

Chain number	Pitch P	Roller diameter A	Width between inner plates B	Pin diameter		Pin length		Side plate height F	Plate thickness g/G	Minimum tensile strength kN	Average tensile strength kN	Weight kg/m	Type
				C	V	D	E						
C2040HP	25.400	7.95	7.85	5.63	4.00	16.5	17.6	12.00	1.50	11.00	12.6	0.46	B
C2050HP	31.750	10.16	9.40	7.22	5.12	20.5	21.8	15.00	2.03	20.40	22.8	0.76	B
O2060HP	38.100	11.91	12.70	8.31	6.00	25.8	26.8	17.00	2.42	24.00	27.1	1.02	B
C2080HP	50.800	15.88	15.75	11.40	8.05	32.5	33.8	24.00	3.25	50.00	55.2	1.81	B

All dimensions in millimetres unless otherwise stated. Every effort has been taken to ensure that the data listed in this catalogue is correct. Challenge accepts no liability for any inaccuracies or damage caused.

Leaf Chain



Challenge Leaf Chain

Applications:

Leaf chain is used in lifting applications such as Fork Lifts, Pneumatic and Hydraulic Jack fittings, etc. all of which move at slow speeds

Challenge offer Leaf Chain complying with ANSI standards in types BL (heavy duty), AL (light duty), EL and FLC

Where applicable, ISO equivalents are also given

Construction:

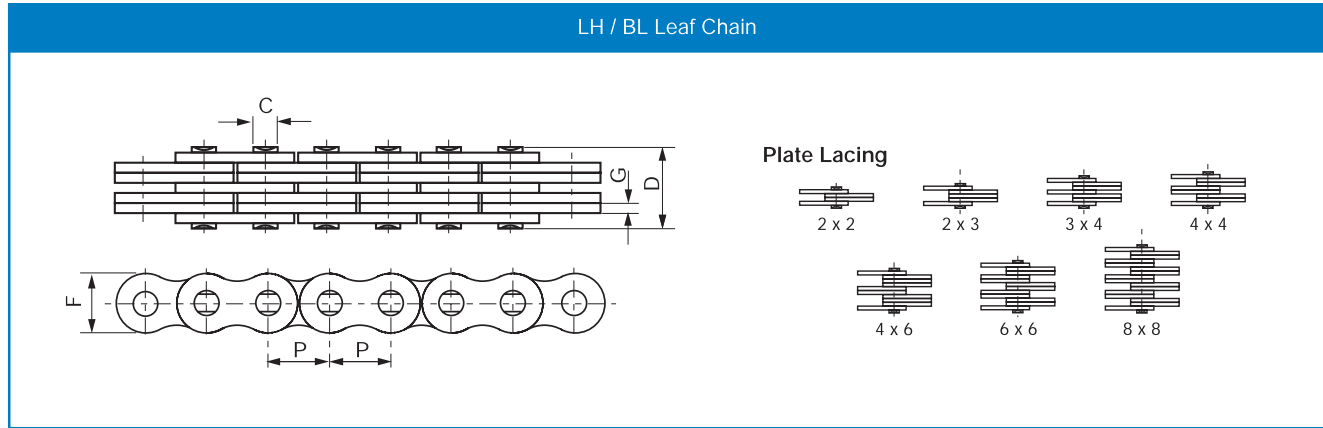
Link plates - produced from alloy steel, especially selected to withstand sudden shock loads. Heat treated to assure maximum breaking loads and wear resistance

Bearing pins - produced from heat treated alloy steel giving excellent resistance to bending

Leaf Chain

LH / BL Series Leaf Chain

ANSI B29.8, ISO 4347, DIN 8152



ISO Chain number	ANSI Chain number	Pitch P	Chain lacing	Plate height F	Plate thickness G	Pin diameter C	Pin length D	Minimum tensile strength kN	Average tensile strength kN	Weight kg/m
LH0822	BL422	12.700	2x2	12.07	2.08	5.09	11.05	22.20	27.60	0.64
LH0823	BL423		2x3				13.16	22.20	27.60	0.80
LH0834	BL434		3x4				17.40	33.40	41.40	1.12
LH0844	BL444		4x4				19.51	44.50	56.00	1.28
LH0846	BL446		4x6				23.75	44.50	56.00	1.60
LH0866	BL466		6x6				27.99	66.70	81.70	1.92
LH0888	BL488		8x8				36.45	89.00	109.40	2.56
LH1022	BL522		15.875				2x2	15.09	2.44	5.96
LH1023	BL523	2x3		15.37	33.40	43.10	1.10			
LH1034	BL534	3x4		20.32	48.90	65.60	1.50			
LH1044	BL544	4x4		22.78	66.70	84.50	1.80			
LH1046	BL546	4x6		27.74	66.70	84.50	2.20			
LH1066	BL566	6x6		32.69	100.10	125.10	2.65			
LH1088	BL588	8x8		42.57	133.40	169.50	3.50			
LH1222	BL622	19.050		2x2	18.11	3.30	7.94			
LH1223	BL623		2x3	20.73				48.90	63.60	1.80
LH1234	BL634		3x4	27.43				75.60	102.80	2.50
LH1244	BL644		4x4	30.78				97.90	120.90	2.90
LH1246	BL646		4x6	37.49				97.90	120.90	3.60
LH1266	BL666		6x6	44.20				146.80	190.80	4.30
LH1288	BL688		8x8	57.61				195.70	238.80	5.80
LH1622	BL822		25.400	2x2				24.13	4.09	9.54
LH1623	BL823	2x3		25.48	84.50	108.20	2.70			
LH1634	BL834	3x4		33.76	129.00	170.00	3.80			
LH1644	BL844	4x4		37.90	169.00	214.60	4.30			
LH1646	BL846	4x6		46.18	169.00	214.60	5.40			
LH1666	BL866	6x6		54.46	253.60	324.50	6.50			
LH1688	BL888	8x8		71.02	338.10	432.70	8.60			

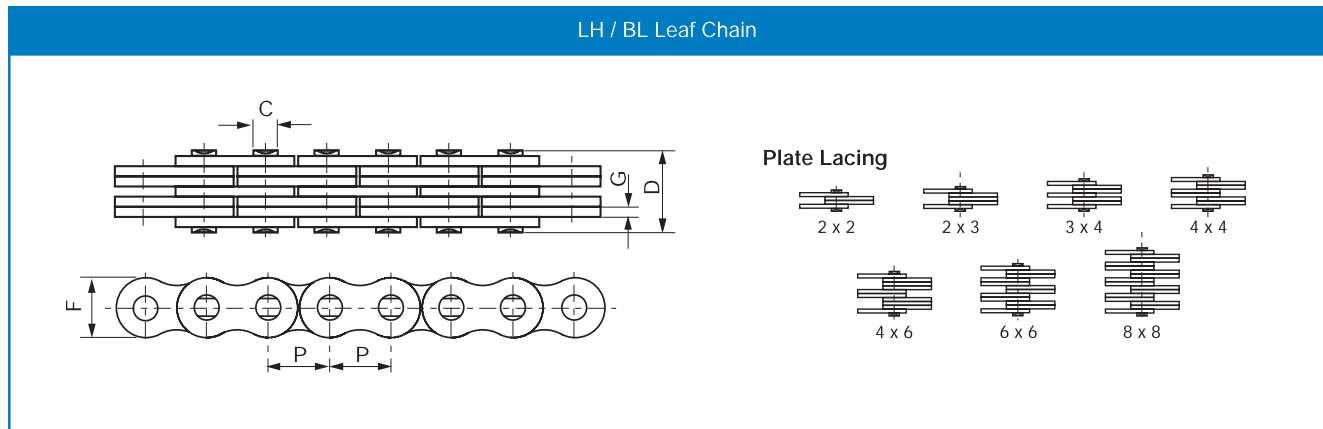
Available on reels.

All dimensions in millimetres unless otherwise stated. Every effort has been taken to ensure that the data listed in this catalogue is correct. Challenge accepts no liability for any inaccuracies or damage caused.

Leaf Chain

LH / BL Series Leaf Chain (cont)

ANSI B29.8, ISO 4347, DIN 8152



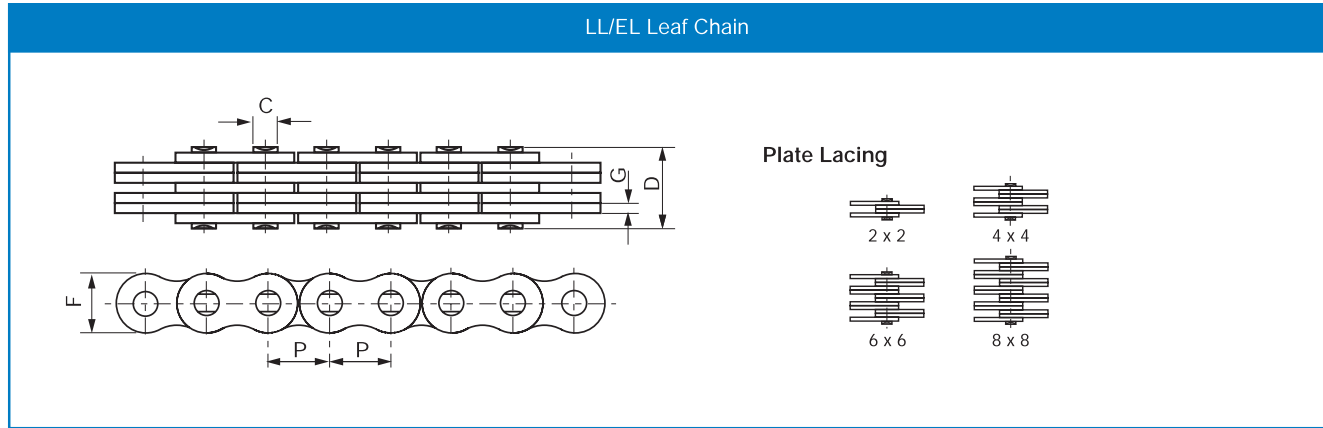
ISO Chain number	ANSI Chain number	Pitch P	Chain lacing	Plate height F	Plate thickness G	Pin diameter C	Pin length D	Minimum tensile strength kN	Average tensile strength kN	Weight kg/m
LH2022	BL1022	31.750	2x2	30.18	4.90	11.11	25.37	115.60	150.80	3.40
LH2023	BL1023		2x3				30.33	115.60	150.80	4.30
LH2034	BL1034		3x4				40.23	182.40	231.60	6.00
LH2044	BL1044		4x4				45.19	231.30	291.40	6.90
LH2046	BL1046		4x6				55.09	231.30	291.40	8.60
LH2066	BL1066		6x6				65.00	347.00	430.30	10.30
LH2088	BL1088		8x8				84.81	462.60	555.10	13.80
LH2422	BL1222		38.100				2x2	36.20	5.77	12.71
LH2423	BL1223	2x3		35.43	151.20	192.00	5.80			
LH2434	BL1234	3x4		47.07	244.60	315.90	8.10			
LH2444	BL1244	4x4		52.88	302.50	381.10	9.30			
LH2446	BL1246	4x6		64.52	302.50	381.10	11.60			
LH2466	BL1266	6x6		76.15	453.70	543.60	13.90			
LH2488	BL1288	8x8		99.42	605.00	726.00	18.60			
LH2822	BL1422	44.450		2x2	42.24	6.55	14.29			
LH2823	BL1423		2x3	40.16				191.30	225.70	7.60
LH2834	BL1434		3x4	53.37				315.80	372.60	10.60
LH2844	BL1444		4x4	59.97				382.60	451.20	12.20
LH2846	BL1446		4x6	73.18				382.60	451.20	15.20
LH2866	BL1466		6x6	86.39				578.30	682.40	18.20
LH2888	BL1488		8x8	112.80				765.10	902.80	24.30
LH3222	BL1622		50.800	2x2				48.26	7.52	17.46
LH3223	BL1623	2x3		46.58	289.10	341.10	10.00			
LH3234	BL1634	3x4		61.72	440.40	519.60	14.00			
LH3244	BL1644	4x4		69.29	578.30	680.40	16.00			
LH3246	BL1646	4x6		84.43	578.30	680.40	20.00			
LH3266	BL1666	6x6		99.57	857.40	1000.70	24.00			
LH3288	BL1688	8x8		129.84	1156.50	1364.60	32.00			
LH4022	BL2022	63.500		2x2	60.33	9.91	23.81			
LH4023	BL2023		2x3	61.70				433.70	511.70	19.80
LH4034	BL2034		3x4	81.61				649.40	766.20	27.70
LH4044	BL2044		4x4	91.57				867.40	1023.50	31.60
LH4046	BL2046		4x6	111.48				867.40	1023.50	39.50
LH4066	BL2066		6x6	131.39				1301.10	1535.20	47.40
LH4088	BL2088		8x8	171.22				1734.80	2046.50	63.20

Available on reels.

Leaf Chain

LL/EL Series Leaf Chain

ANSI B29.8-1958, ISO 4347



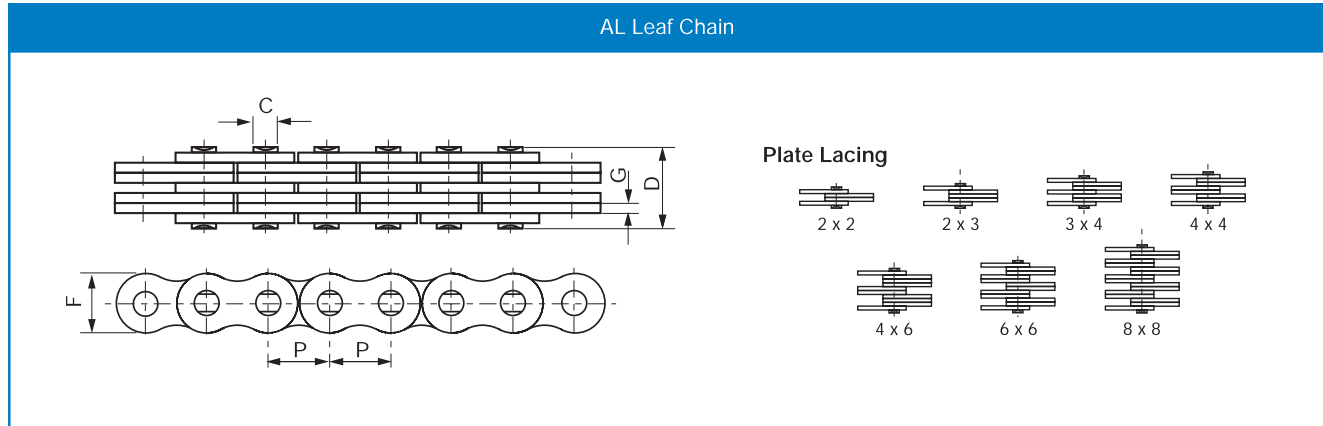
ISO Chain number	ANSI Chain number	Pitch P	Chain lacing	Plate height F	Plate thickness G	Pin diameter C	Pin length D	Minimum tensile strength kN	Average tensile strength kN	Weight kg/m
LL0822	EL0422	12.700	2x2	10.60	1.30	4.45	7.60	17.80	20.40	0.35
LL0844	EL0444		4x4				13.00	31.10	35.70	0.69
LL0866	EL0466		6x6				18.20	44.50	50.90	1.00
LL0888	EL0488		8x8				23.50	62.20	71.20	1.33
LL1022	EL0522	15.875	2x2	13.70	1.60	5.08	9.20	22.30	25.50	0.54
LL1044	EL0544		4x4				15.80	44.50	51.00	1.06
LL1066	EL0566		6x6				22.10	66.70	76.30	1.57
LL1088	EL0588		8x8				28.80	89.00	101.90	2.10
LL1222	EL0622	19.050	2x2	16.00	1.85	5.72	10.40	28.90	33.20	0.73
LL1244	EL0644		4x4				17.90	57.80	66.40	1.44
LL1266	EL0666		6x6				25.40	86.70	99.70	2.15
LL1288	EL0688		8x8				32.90	115.60	132.90	2.84
LL1622	EL0822	25.400	2x2	21.00	3.10	8.28	17.20	58.00	66.70	1.52
LL1644	EL0844		4x4				29.60	144.00	164.60	2.90
LL1666	EL0866		6x6				42.40	200.00	230.00	4.30
LL1688	EL0888		8x8				55.40	288.00	331.20	5.71
LL2022	EL1022	31.750	2x2	26.40	3.70	10.19	20.10	95.00	109.20	2.33
LL2044	EL1044		4x4				33.80	190.00	218.50	4.40
LL2066	EL1066		6x6				50.10	285.00	324.60	6.79
LL2088	EL1088		8x8				65.40	380.00	435.10	8.75
LL2422	EL1222	38.100	2x2	33.40	5.00	14.63	28.40	170.00	195.50	4.47
LL2444	EL1244		4x4				46.30	340.00	380.80	8.22
LL2466	EL1266		6x6				66.40	510.00	571.20	12.22
LL2488	EL1288		8x8				86.60	680.00	775.20	16.30
LL2822	EL1422	44.450	2x2	37.08	6.00	15.90	32.20	200.00	224.00	5.10
LL2844	EL1444		4x4				56.40	400.00	448.00	9.90
LL2866	EL1466		6x6				80.60	600.00	672.00	14.60
LL2888	EL1488		8x8				105.20	800.00	896.00	19.40
LL3222	EL1622	50.800	2x2	42.00	6.00	17.81	33.20	260.00	291.20	5.80
LL3244	EL1644		4x4				57.40	520.00	582.40	11.40
LL3266	EL1666		6x6				81.60	780.00	873.60	16.90
LL3288	EL1688		8x8				105.00	1050.00	1176.00	24.00
LL4022	EL2022	63.500	2x2	52.76	8.25	22.89	44.70	360.00	403.20	10.30
LL4044	EL2044		4x4				77.90	780.00	873.60	20.00
LL4066	EL2066		6x6				111.10	1080.00	1209.60	29.50
LL4088	EL2088		8x8				145.50	1560.00	1747.20	39.10
LL4822	EL2422	76.200	2x2	63.88	10.30	29.24	56.10	560.00	627.20	18.50
LL4844	EL2444		4x4				97.40	1120.00	1554.40	35.70
LL4866	EL2466		6x6				138.90	1168.00	1308.10	53.00
LL4888	EL2488		8x8				182.40	2240.00	2508.80	70.40

Available on reels.

All dimensions in millimetres unless otherwise stated. Every effort has been taken to ensure that the data listed in this catalogue is correct. Challenge accepts no liability for any inaccuracies or damage caused.

Leaf Chain

AL Series Leaf Chain

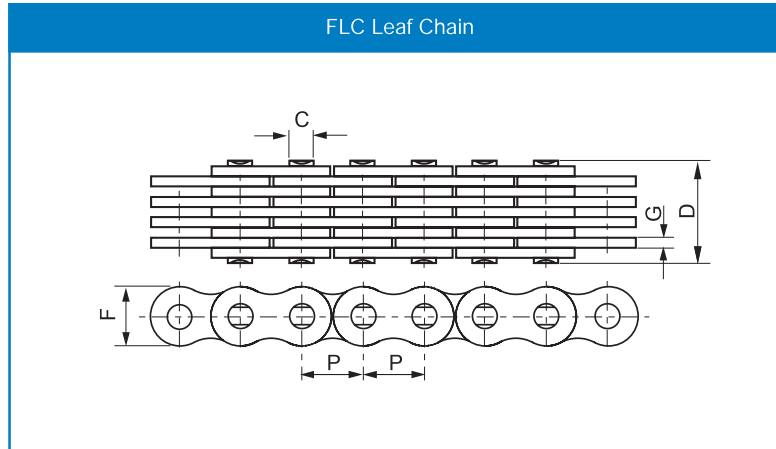


ANSI Chain number	Pitch P	Chain lacing	Plate height F	Plate thickness G	Pin diameter C	Pin length D	Minimum tensile strength kN	Average tensile strength kN	Weight kg/m
AL322	9.525	2x2	7.70	1.30	3.58	6.80	9.00	10.20	0.23
AL422		2x2				7.90	14.10	16.90	0.39
AL444	12.700	4x4	10.40	1.50	3.96	14.40	28.20	35.20	0.74
AL466		6x6				20.50	42.30	52.70	1.10
AL522		2x2				10.30	22.00	27.50	0.61
AL534	15.875	3x4	12.80	2.03	5.08	17.00	33.00	46.00	1.10
AL544		4x4				18.90	44.00	55.00	1.19
AL566		6x6				26.90	66.00	82.50	1.79
AL622		2x2				12.40	37.00	44.40	0.86
AL644	19.050	4x4	15.60	2.42	5.94	22.70	64.00	78.80	1.69
AL666		6x6				32.40	101.00	118.60	2.52
AL822		2x2				16.00	56.70	68.60	1.54
AL844	25.400	4x4	20.50	3.25	7.92	29.40	113.40	135.60	3.00
AL866		6x6				42.50	170.00	202.30	4.46
AL1022		2x2				19.60	88.50	107.10	2.37
AL1044	31.750	4x4	25.60	4.00	9.53	35.90	177.00	203.60	4.68
AL1066		6x6				52.30	265.00	315.30	7.00
AL1222		2x2				24.30	127.00	151.10	3.65
AL1244	38.100	4x4	30.50	4.80	11.10	43.80	254.00	299.70	7.05
AL1266		6x6				63.00	381.00	426.30	10.44
AL1444		4x4				51.30	372.70	413.60	10.34
AL1466	44.450	6x6	36.40	5.60	12.64	74.56	559.00	620.40	15.16
AL1644		4x4				58.06	471.00	522.80	12.98
AL1666	50.800	6x6	41.60	6.40	14.21	84.46	706.00	783.60	19.41

Available on reels.

Leaf Chain

FLC Series Leaf Chain

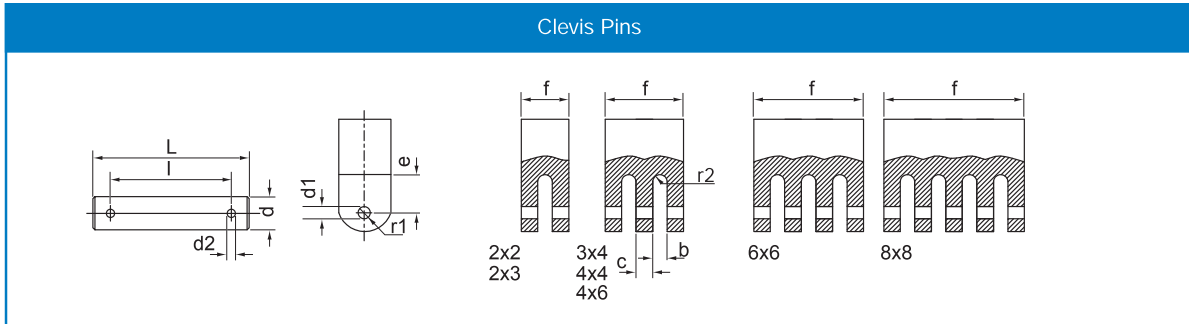


Chain number	Pitch P	Chain lacing	Plate height F	Plate thickness G	Pin diameter C	Pin length D	Minimum tensile strength kN	Average tensile strength kN	Weight kg/m
FL644	19.050	4x4	4.70	0.60	1.85	6.60	6.50	7.80	0.13
FL666	19.050	6x6	4.70	0.60	1.85	9.30	9.75	11.80	0.20
FL688	19.050	8x8	4.70	0.60	1.85	12.00	13.00	15.60	0.25
FL844	25.400	4x4	6.90	0.73	2.31	7.90	10.00	12.10	0.25
FL944	9.525	4x4	8.70	1.04	3.28	10.40	21.00	24.70	0.43
FL966	9.525	6x6	8.70	1.00	3.28	14.90	31.00	36.80	0.65
F1222	38.100	2x2	8.20	1.00	3.58	7.00	11.43	13.60	0.19
F1223	38.100	2x3	10.20	2.03	4.45	12.80	20.00	23.80	0.61
F1244	38.100	4x4	10.20	1.70	4.45	16.70	44.00	52.30	0.83

Available on reels.

Leaf Chain

Clevis Pins

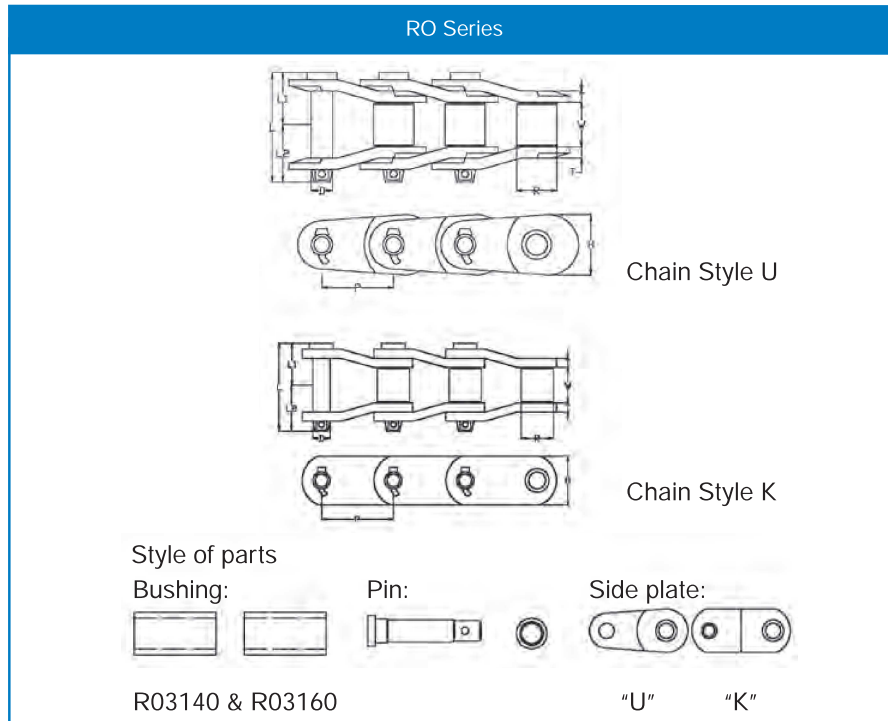


Type	l min.	L max	d max	d2	f max	b min	c max	d1	e min	r1 max	r2 max
BL422/AL522	10.8	17.0			10.7	4.2	-				2
BL423	12.7	18.9			12.6	6.4	-				3
BL434	17.0	23.2			16.9	4.2	2.0				2
BL444/AL544	19.0	25.2	5.80	1.6	18.9	4.2	4.0	5.15	9.0	6.5	2
BL446	23.0	29.2			22.9	6.4	4.0				3
BL466/AL566	27.0	33.3			26.9	4.2	4.0				2
BL488/AL588	35.5	41.8			35.4	4.2	4.0				2
BL522	12.8	19.4			12.7	5.0	-				2
BL523	15.0	21.6			14.9	7.5	-				3
BL534	20.0	26.6			19.9	5.0	2.4				2
BL544/AL644	22.5	29.1	5.95	2.0	22.4	5.0	4.8	6.00	11.0	8.0	2
BL546	27.0	33.7			26.9	7.5	4.8				3
BL566/AL666	32.0	38.7			31.9	5.0	4.8				2
BL588/AL688	42.5	49.3			42.4	5.0	4.8				2
BL623	20.0	30.7			19.9	10.3	-				5
BL634	27.0	37.7			26.9	6.8	3.2				3
BL644/AL844	30.0	40.7	7.93	3.2	29.9	6.8	6.4	8.00	14.0	9.5	3
BL646	37.0	47.7			36.9	10.3	6.4				5
BL666/AL866	43.0	53.7			42.9	6.8	6.4				3
BL688	56.5	67.2			56.4	6.8	6.4				3
BL823	25.0	35.7			24.9	12.8	-				6
BL834	33.0	43.7			32.9	8.5	4.0				4
BL844/AL1044	37.0	47.7	9.52	3.2	36.9	8.5	8.0	9.60	18.0	12.5	4
BL846	46.0	56.7			45.9	12.8	8.0				6
BL866/AL1066	53.0	63.7			52.9	8.5	8.0				4
BL888/AL1088	69.5	80.3			69.4	8.5	8.0				4
BL1023	30.0	42.4			29.8	15.1	-				7
BL1034	39.2	51.6			39.0	10.0	4.7				5
BL1044/AL1244	44.2	56.6	11.09	4.0	44.0	10.0	9.4	11.20	22.0	15.0	5
BL1046	54.2	66.6			54.0	15.1	9.4				7
BL1066/AL1266	63.2	75.6			63.0	10.0	9.4				5
BL1088/AL1288	79.9	92.4			79.7	10.0	9.4				5
BL1223	34.5	46.9			34.3	17.7	-				8
BL1234	46.2	58.6			46.0	11.8	5.5				5
BL1244/AL1444	50.0	64.4	12.70	4.0	49.0	11.8	11.0	12.80	26.0	19.0	5
BL1246	63.5	76.0			63.3	17.7	11.0				8
BL1266/AL1466	75.3	87.8			75.1	11.8	11.0				5
BL1288/AL1488	98.6	111.1			98.4	11.8	11.0				5
BL1423	38.7	51.1			38.5	20.1	-				10
BL1434	52.2	64.6			52.0	13.4	6.3				6
BL1444	58.6	71.1	14.27	4.0	58.4	13.4	12.6	14.35	31.0	22.0	10
BL1446	71.7	84.2			71.5	20.1	12.6				10
BL1466	85.1	97.7			84.9	13.4	12.6				10
BL1623	43.1	60.6			42.8	22.5	-				10
BL1634	58.0	75.5			57.7	15.0	7.1				7
BL1644	65.7	82.9	17.46	5.0	65.4	15.0	14.2	17.50	34.0	25.0	7
BL1646	79.9	97.4			79.6	22.5	14.2				10
BL1666	94.6	112.2			94.3	15.0	14.2				7
BL1688	124.0	141.6			123.7	15.0	14.2				7

Every effort has been taken to ensure that the data listed in this catalogue is correct. Challenge accepts no liability for any inaccuracies or damage caused. All dimensions in millimetres unless otherwise stated.

Heavy Duty Drive Chain

RO Series



Challenge Chain number	Chain Style	Pitch Inches P	Pitch mm P	Roller diameter R	Width		Bearing Pin Diameter D	Pin Length			Side plate height H	Plate Thickness s T	Tensile strength kgf	Approx Weight kg/m
					between inner plates W	Bearing Pin Diameter D		L	L1	L2				
RO3140	U	1.75	44.45	25.4	25.4	12.15	62.6	28.55	34.05	43.2	5.6	24000	7.7	
RO3160	U	2.00	50.80	28.58	31.75	13.73	72.3	33.40	38.90	49.2	6.4	30600	10.0	
RO1613AK	U	2.00	50.80	28.58	31.5	15.06	78.0	36.20	41.80	42.9	8.1	31750	11.3	
RO3180	U	2.25	57.15	35.72	36.4	17.46	81.0	37.30	43.70	54	7.2	36300	14.3	
RO25H ■	K	2.50	63.50	31.75	38.1	15.88	92.5	43.05	49.45	41.5	9.5	39700	13.7	
RO1625	U	2.50	63.50	39.69	38.9	19.8	89.7	41.40	48.30	60.3	8	43000	16.3	
RO588	K	2.61	66.27	22.23	28.6	11.11	67.0	32.00	35.00	28.6	6.4	14700	5.4	
RO568 ■	K	3.07	77.90	41.28	40.1	19.05	97.0	45.05	51.95	54	9.5	52400	17.7	
RO568-T	K	3.07	77.90	41.28	40.1	19.05	97.0	45.05	51.95	54	9.5	50000	17.7	
RO3	K	3.08	78.11	31.75	38.1	15.88	86.5	40.05	46.45	38	8	27700	10.5	
RO3H △	K	3.08	78.11	31.75	38.1	15.88	92.5	43.05	49.45	41.5	9.5	39700	12.4	
RO3125 △	K	3.13	79.38	41.28	41.2	20.32	99.5	45.90	53.60	54	9.5	52000	18.8	
RO1616 ■	K	3.50	88.90	44.45	38.6	22.23	111.7	51.60	60.10	54	12.7	63500	23.9	
RO3924T	K	3.91	99.21	57.15	38.4	30.16	121.0	56.85	64.10	82.6	14.3	118000	45.0	
RO5	K	4.06	103.20	44.45	38.6	22.23	111.7	51.60	60.10	54	12.7	63500	19.9	
RO4	K	4.06	103.20	44.45	49.1	22.23	122.2	56.85	65.35	54	12.7	63500	21.0	
RO4HF △	K	4.06	103.20	44.45	49.2	22.23	135.7	63.60	72.10	59	16	80300	23.2	
RO4HF-T	K	4.06	103.20	44.45	49.2	22.23	135.7	63.60	72.10	59	16	69000	23.2	
RO1245 ■	K	4.07	103.45	45.24	49.2	23.8	130.0	60.25	69.75	60	14.5	84600	27.2	
RO1245T	K	4.07	103.45	45.24	49.2	23.8	130.0	60.25	69.75	60	14.5	77000	27.2	
RO1343	K	4.09	103.89	47.63	49.2	25.4	132.0	62.25	69.75	70	14.5	105000	31.9	
RO1343T	K	4.09	103.89	47.63	49.2	25.4	132.0	62.25	69.75	70	14.5	86500	32.9	
RO1345	K	4.09	103.89	50.8	49.2	25.4	132.0	62.25	69.75	70	14.5	105000	32.9	
RO41345T	K	4.09	103.89	50.8	49.2	25.4	132.0	62.25	69.75	70	14.5	86500	32.9	
RO635 ■	K	4.00	114.30	57.15	52.4	27.9	135.5	64.25	71.25	76	14.5	113000	38.3	
RO11634A	K	5.00	127.00	63.5	58.7	28.63	141.5	67.40	74.10	76	14.5	109000	39.8	
RO1602AA ■	K	5.00	127.00	63.5	70.0	31.75	161.2	77.05	84.15	90	16	156000	52.3	
RO6042 ■	K	6.00	152.40	76.2	76.3	38.1	184.0	86.70	97.30	101.6	19	207000	71.3	

Note: RO3140 and RO3160 are specially designed for use where the chains on equipment are subject to heavy twisting and side bow caused by operating misalignment.

■ conforms to American National Standard Institute (ANSI) △ Conforms to American Petroleum Institute (API)

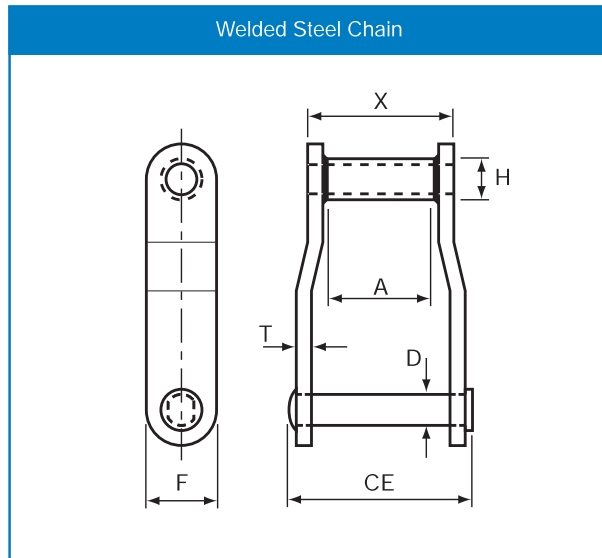
Special heat treating processes are applied to improve material characteristics.

Chains with a "T" mark have through hardened & Induction hardened pins to ensure wear resistance.

All dimensions in millimetres unless otherwise stated. Every effort has been taken to ensure that the data listed in this catalogue is correct. Challenge accepts no liability for any inaccuracies or damage caused.

Timber Chain

Welded Steel Mill Chain



Chain number	Pitch		Average Ultimate Strength lbf	Max. Working Load lbf	Links Per Foot	Average Weight lb/ft	Dimensions						
	mm	Inches					CE	X	D	T	F	H	A
WR78	66.27	2.609	20000	3000	46	4.0	76.20	50.80	12.70	6.35	28.58	22.23	28.58
WH78	66.27	2.609	30000	3500	46	4.0	76.20	50.80	12.70	6.35	28.58	22.23	28.58
WR82	78.11	3.075	25000	3800	39	4.8	82.55	57.15	14.29	6.35	31.75	26.99	9.00
WH82	78.11	3.075	36000	4400	39	4.8	82.55	57.15	14.29	6.35	31.75	26.99	8.50
WR124	101.60	4.000	45500	6200	30	8.3	107.95	69.85	19.05	9.53	38.1	34.93	38.10
WH124	101.60	4.000	67000	7200	30	8.3	107.95	69.85	19.05	9.53	38.1	34.93	38.10
WH124HD Spc	103.20	4.063	119000	10500	30	14.7	120.65	76.20	25.40	12.7	50.8	44.45	41.28
WR111PLUS	120.90	4.760	52000	7500	26	9.5	123.83	85.73	19.05	9.53	44.45	34.93	60.33
WH111PLUS	120.90	4.760	77000	8850	26	9.5	123.83	85.73	19.05	9.53	44.45	34.93	60.33
WR110	152.40	6.000	45500	6750	20	7.2	117.48	76.20	19.05	9.53	38.1	34.93	47.63
WH110	152.40	6.000	67000	7875	20	7.2	117.48	76.20	19.05	9.53	38.1	34.93	47.63
WR106	152.40	6.000	45500	6200	20	7.0	107.95	69.85	19.05	9.53	38.1	34.93	41.28
WH106	152.40	6.000	67000	7200	20	7.0	107.95	69.85	19.05	9.53	38.1	34.93	41.28
WR132	153.67	6.050	78000	13000	20	14.2	158.75	111.13	25.40	12.7	50.8	44.45	73.03
WH132	153.67	6.050	111000	15300	20	14.2	158.75	111.13	25.40	12.7	50.8	44.45	73.03
WH132D	153.67	6.050	139500	16700	20	16.4	171.45	117.48	25.40	15.88	50.8	44.45	73.03
WR150	153.67	6.050	78000	13000	20	16.8	158.75	111.13	25.40	12.7	63.5	44.45	73.03
WH150	153.67	6.050	112000	15300	20	16.8	158.75	111.13	25.40	12.7	63.5	44.45	73.03
WH150XHD	153.67	6.050	151000	18200	20	19.7	171.45	117.48	28.58	15.88	63.5	44.45	73.03
WH155	153.67	6.050	145000	17750	20	20.0	168.28	114.30	28.58	14.29	63.5	44.45	73.03
WH159	155.58	6.125	230000	20250	20	26.5	168.28	117.48	31.75	15.88	76.2	50.8	73.03

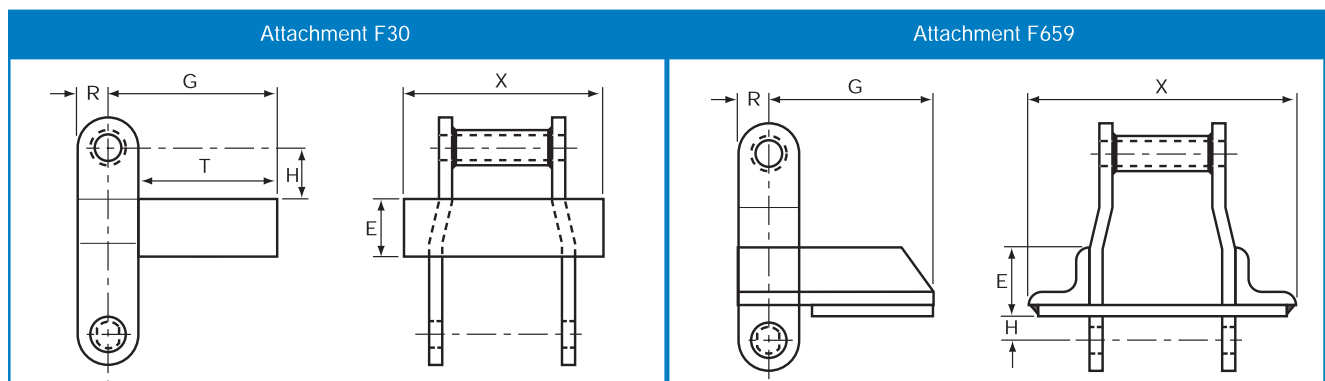
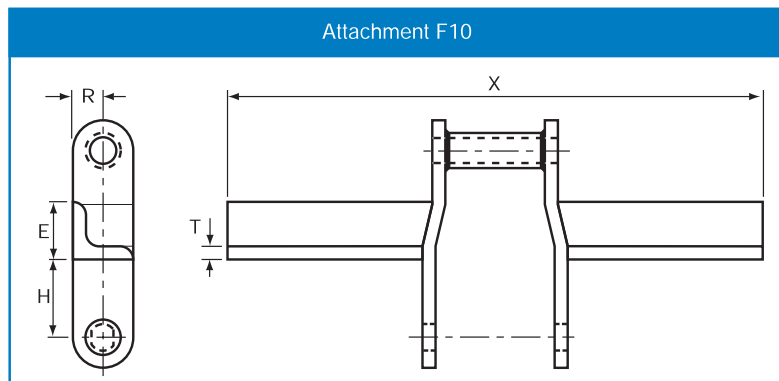
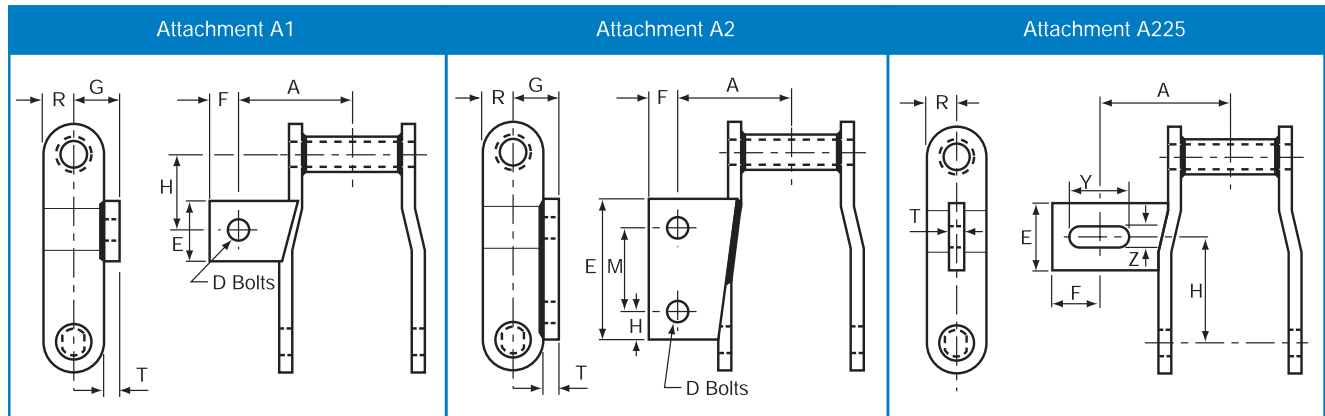
WR - Welded steel chain - through hardened pins and case hardened bushes

WH - Weld steel chain - all components fully heat treated

Timber Chain

Welded Steel Chain Attachments (Offset Side Bar)

Attachment number	Chain number	Weight lb/ft	Dimensions												
			A	D	E	F	G	H	K	M	R	T	X	Y	Z
A1	WR/WH78	4.97	50.80	9.58	31.75	12.70	20.57	31.75	-	-	14.27	6.35	-	-	-
A1	WR/WH82	6.50	54.10	9.58	44.45	15.88	23.88	38.10	-	-	15.88	6.35	-	-	-
A1	WR/WH124	8.40	66.68	15.88	50.80	15.88	28.70	45.97	-	-	19.05	9.53	-	-	-
A2	WR/WH78	4.50	50.80	9.58	54.10	12.70	19.81	10.41	-	28.70	14.27	6.35	-	-	-
A2	WR/WH82	6.00	54.10	9.53	57.15	15.80	23.88	12.70	-	31.75	15.88	7.92	-	-	-
A2	WR/WH124	10.00	66.68	9.58	76.20	22.23	28.70	22.23	-	49.28	19.05	9.53	-	-	-
A2	WR/WH132	17.00	95.25	12.70	101.60	19.05	38.10	41.28	-	69.85	25.40	12.70	-	-	-
A225	WR/WH124	8.90	101.60	-	50.80	49.28	-	50.80	-	-	19.05	12.70	-	57.15	22.23
F10	WR/WH82	4.80	-	-	31.75	-	-	23.80	-	-	15.88	6.35	260.35	-	-
F30	WR/WH78	9.90	-	-	25.40	-	68.33	20.57	-	-	14.27	54.10	76.20	-	-
F659	WR/WH124	13.10	-	-	44.45	-	120.65	12.70	-	-	19.05	-	167.39	-	-

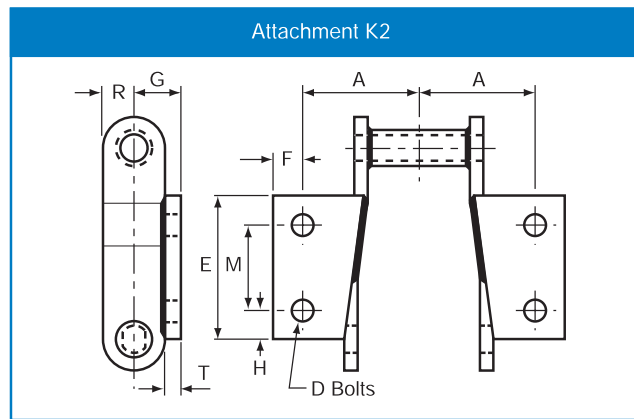
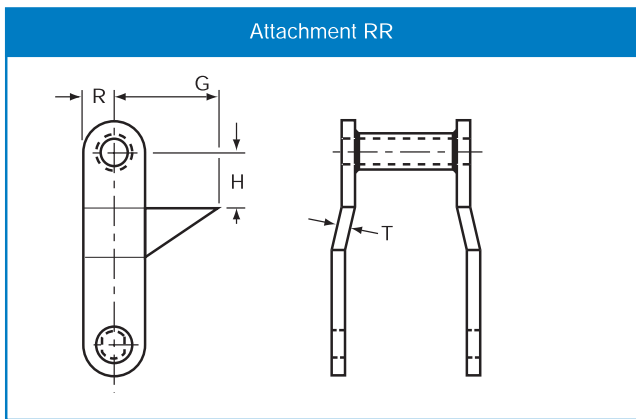
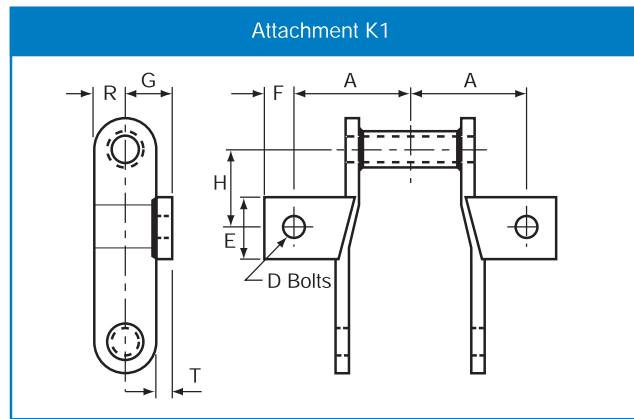
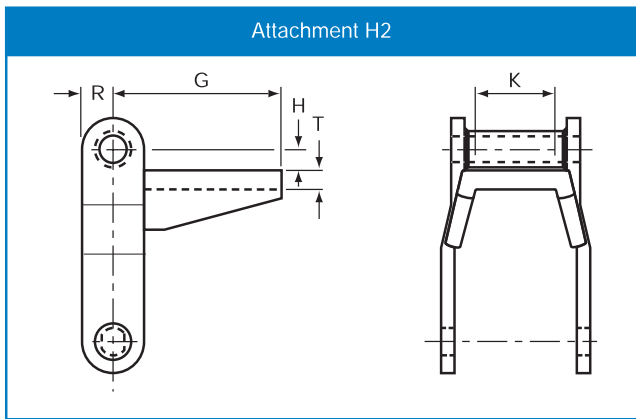


All dimensions in millimetres unless otherwise stated. Every effort has been taken to ensure that the data listed in this catalogue is correct. Challenge accepts no liability for any inaccuracies or damage caused.

Timber Chain

Welded Steel Chain Attachments (Offset Side Bar)

Attachment number	Chain number	Weight lb/ft	Dimensions												
			A	D	E	F	G	H	K	M	R	T	X	Y	Z
H2	WR/WH78	4.75	-	-	-	-	90.42	7.87	25.40	-	14.22	6.35	-	-	-
H2	WR/WH82	9.00	-	-	-	-	91.95	15.75	28.70	-	15.75	4.83	-	-	-
K1	WR/WH78	4.97	50.80	9.65	31.75	12.70	20.57	31.75	-	-	14.22	6.35	-	-	-
K1	WR/WH82	6.50	54.10	9.65	44.45	15.75	23.88	38.10	-	-	15.75	6.35	-	-	-
K1	WR/WH124	11.70	66.55	15.75	50.80	15.75	28.70	45.97	-	-	19.05	9.65	-	-	-
K2	WR/WH78	5.00	50.80	9.65	54.10	12.70	19.81	10.41	-	28.70	14.22	6.35	-	-	-
K2	WR/WH82	8.00	54.10	9.65	57.15	15.75	23.88	12.70	-	31.75	15.75	7.87	-	-	-
K2	WR/WH124	12.00	66.55	9.65	76.20	22.35	28.70	22.35	-	49.28	19.05	9.65	-	-	-
K2	WR/WH132	19.00	95.25	12.70	101.60	19.05	38.10	41.15	-	69.85	25.40	12.70	-	-	-
RR	WR/WH78	4.70	-	-	-	-	38.10	19.05	-	-	14.22	6.35	-	-	-
RR	WR/WH82	7.00	-	-	-	-	44.45	20.57	-	-	15.75	6.35	-	-	-
RR	WR/WH124	10.00	-	-	-	-	47.75	38.10	-	-	19.05	9.65	-	-	-



Timber Chain

Offset Side Bar Roller Chain

Offset Side Bar Roller Chain

Material Spec.				
	Side Bar	Pin	Bushing	Roller
S0-578	CH	CH	CC	CC
M0-88	C	CH	CC	CC
LXS-882	CH	AH	AC	CH
MOH-578	CH	CH	CC	CH

Chain number	Pitch		Average Ultimate Strength lbf	Max. Working Load lbf	Links Per Foot	Average Weight lb/ft	Dimensions						
	inch	mm					A	B	C	D	F	G	K
S0-578	2.609	66.269	19,000	2,200	4.6	2.7	22.23	26.99	9.53	52.78	25.40	3.97	36.51
M0-88	2.609	66.269	20,000	2,400	4.6	3.8	22.23	26.99	11.11	59.53	28.58	6.35	41.28
LXS-882	2.609	66.269	29,000	2,800	4.6	3.9	22.23	28.58	11.11	59.53	28.58	6.35	42.86
MOH-578	2.609	66.269	19,000	2,200	4.6	2.7	22.23	26.99	9.53	52.78	25.40	5.56	36.12

Straight Side Bar Roller Chain

Straight Side Bar Roller Chain

Material Spec.				
	Side Bar	Pin	Bushing	Roller
MS-88	C	CH	CC	CC
81-X	CH	AC	AC	CH
81-XH	CH	AC	AC	CH
81-XHS	CH	AC	AC	CH
SS-188	CH	AC	CC	CC

Chain number	Pitch		Average Ultimate Strength lbf	Max. Working Load lbf	Links Per Foot	Average Weight lb/ft	Dimensions							Side Plate Thickness (G)	
	inch	mm					A	B	C	D	F	K	Chain	Conn	
MS-88	2.609	66.269	26,000	2,500	4.6	3.8	22.23	26.99	11.11	59.53	28.58	41.28	6.35	6.35	
81-X	2.609	66.269	22,000	2,200	4.6	2.6	23.02	26.99	11.11	47.23	28.58	34.93	3.97	3.97	
81-XH	2.609	66.269	41,800	5,000	4.6	3.9	23.02	26.99	11.11	59.18	31.75	42.86	7.94	5.56	
81-XHS	2.609	66.269	41,800	5,000	4.6	4.2	23.02	26.99	11.11	63.50	32.94	42.86	7.94	7.94	
SS-188	2.609	66.269	26,000	2,500	4.6	3.8	22.23	26.99	11.11	59.53	28.58	41.28	6.35	6.35	

C: Carbon Steel
CC: Carbon Steel Case Hardened

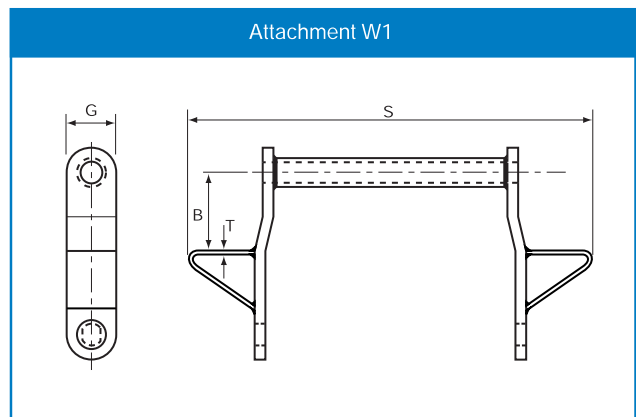
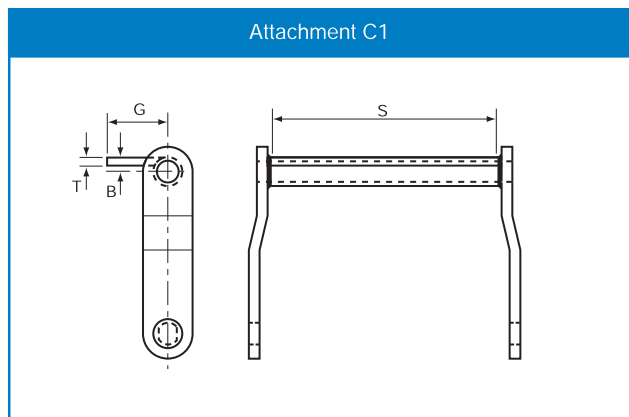
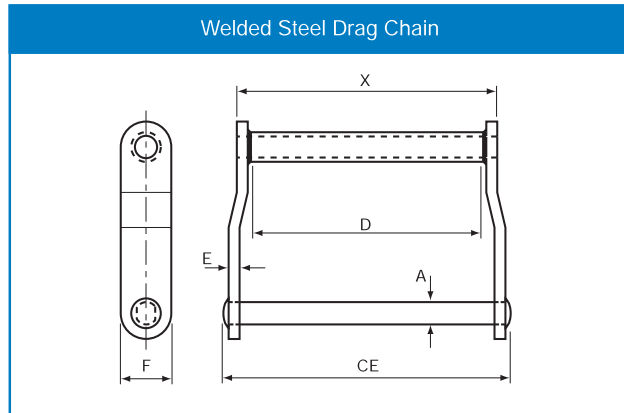
AC: Alloy Steel Case Hardened
CH: Carbon Steel Heat Treated

AH: Alloy Steel Heat Treated

All dimensions in millimetres unless otherwise stated. Every effort has been taken to ensure that the data listed in this catalogue is correct. Challenge accepts no liability for any inaccuracies or damage caused.

Timber Chain

Welded Steel Drag Chain



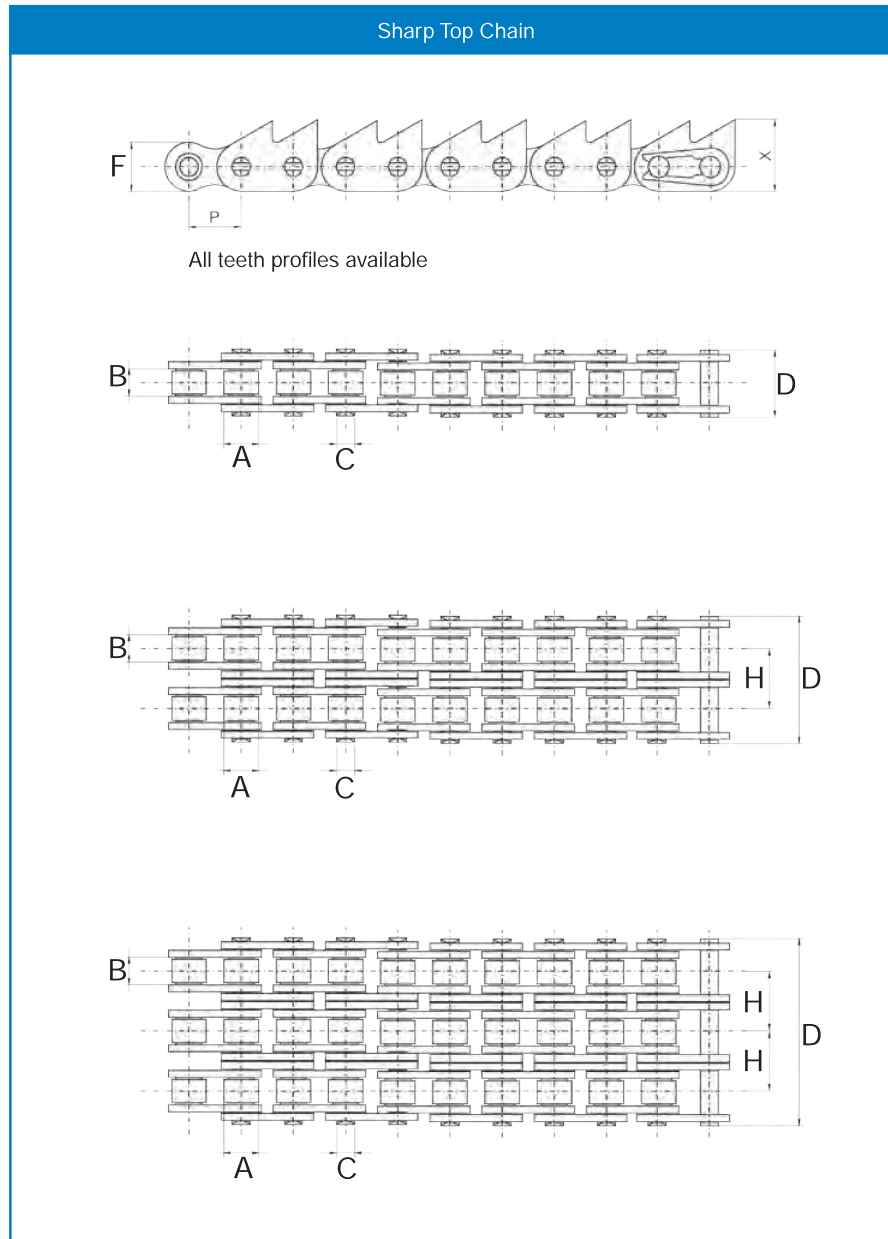
Chain number	Pitch		Average Ultimate Strength lbf	Max. Working Load lbf	Links Per Foot	Average Weight lb/ft	Dimensions						
	mm	Inches					CE	X	D	T	F	H	A
WDH102	127.00	5.000	60000	10000	24	11.8	234.95	196.85	19.05	9.53	38.1	/	161.93
WDH104	152.40	6.000	60000	10000	20	8.7	174.63	136.53	19.05	9.53	38.1	/	104.78
WD110	152.40	6.000	51000	8500	20	12.0	301.63	263.53	19.05	9.53	38.1	/	228.60
WDH110	152.40	6.000	60000	10000	20	12.0	301.63	263.53	19.05	9.53	38.1	/	228.60
WD113	152.40	6.000	55000	9200	20	15.0	317.50	269.88	22.23	12.7	38.1	/	228.60
WDH113	152.40	6.000	70000	11700	20	15.0	317.50	269.88	22.23	12.7	38.1	/	228.60
WD120	152.40	6.000	70000	11700	20	19.4	304.80	257.18	22.23	12.7	50.8	/	215.90
WDH120	152.40	6.000	90000	15000	20	19.4	304.80	257.18	22.23	12.7	50.8	/	215.90
WD112	203.20	8.000	51000	8500	15	9.8	301.63	263.53	19.05	9.53	38.1	/	228.60
WDH112	203.20	8.000	60000	10000	15	9.8	301.63	263.53	19.05	9.53	38.1	/	228.60
WD116	203.20	8.000	55000	9200	15	14.5	390.53	358.78	19.05	9.53	44.45	/	323.85
WDH116	203.20	8.000	69000	11500	15	14.5	390.53	358.78	19.05	9.53	44.45	/	323.85
WD118	203.20	8.000	70000	11700	15	19.8	425.45	377.83	22.23	12.7	50.8	/	336.55
WDH118	203.20	8.000	90000	15000	15	19.8	425.45	377.83	22.23	12.7	50.8	/	336.55
WD122	203.20	8.000	70000	11700	15	16.0	304.80	257.18	22.23	12.7	50.8	/	215.90
WDH122	203.20	8.000	90000	15000	15	16.0	304.80	257.18	22.23	12.7	50.8	/	215.90
WD480	203.20	8.000	70000	11700	15	18.1	371.48	323.85	22.23	12.7	50.8	/	279.40
WDH480	203.20	8.000	90000	15000	15	18.1	371.48	323.85	22.23	12.7	50.8	/	279.40
WDH580	203.20	8.000	123000	20500	15	19.4	371.48	323.85	25.40	12.7	50.8	/	279.40
WDH680	203.20	8.000	134000	22300	15	21.4	384.18	330.20	25.40	15.88	50.8	/	279.40

WD - Welded steel chain with through-hardened pins and case hardened bushes
 WDH - Welded steel chain - all components fully heat treated

Every effort has been taken to ensure that the data listed in this catalogue is correct. Challenge accepts no liability for any inaccuracies or damage caused. All dimensions in millimetres unless otherwise stated.

Timber Chain

Sharp Top Chain

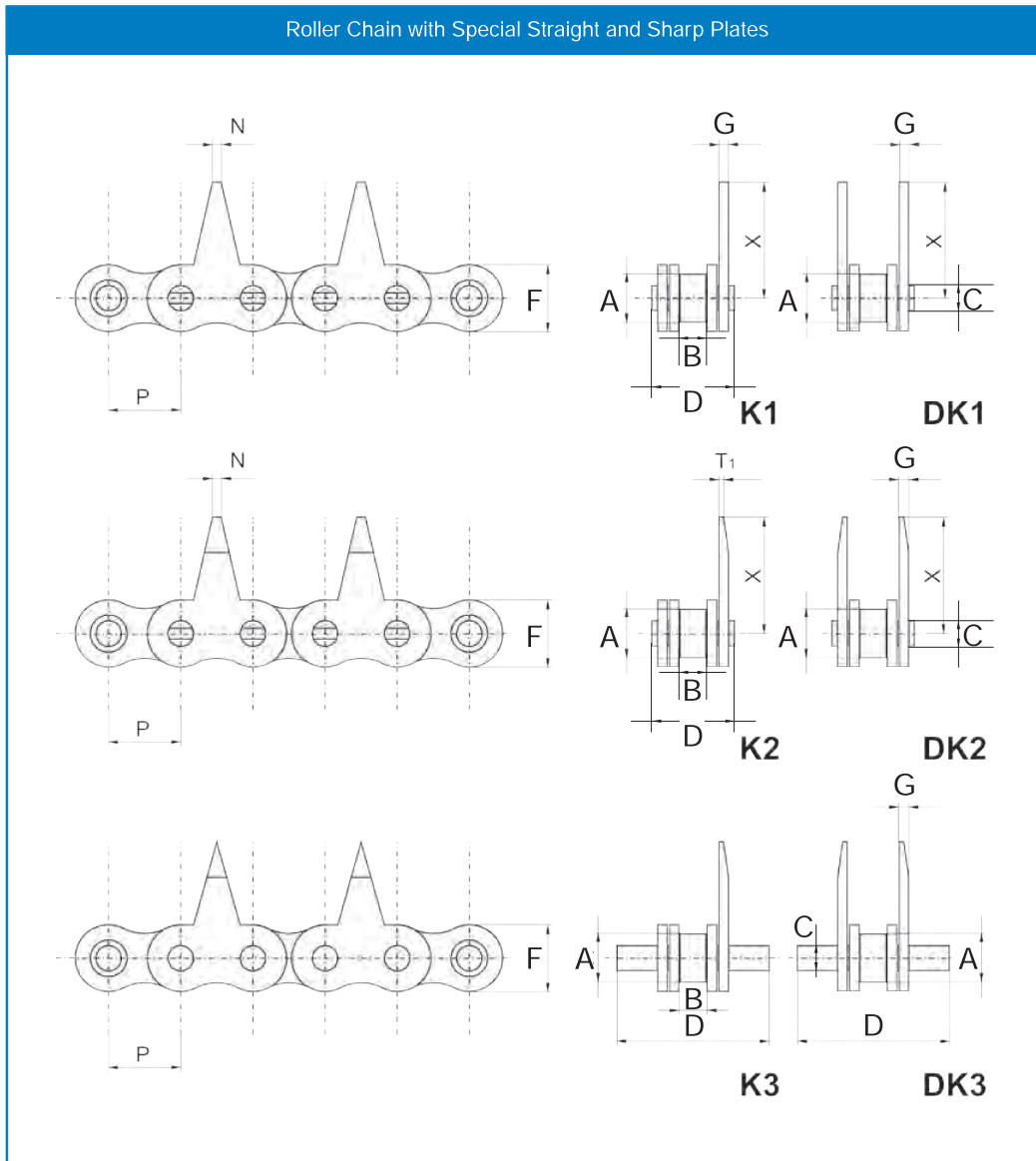


Chain number	Pitch P	Roller diameter A	With between inner plates B	Pin diameter C	Pin length D	Side Plate Height F	Transverse pitch H	Tooth height X	Tensile strength kN
16B-1Z	25.4	15.88	17.02	8.28	36.1	21.0	-	28	58
16B-2Z	25.4	15.88	17.02	8.28	68.0	21.0	31.88	28	110
16B-3Z	25.4	15.88	17.02	8.28	99.9	21.0	31.88	28	165

All dimensions in millimetres unless otherwise stated. Every effort has been taken to ensure that the data listed in this catalogue is correct. Challenge accepts no liability for any inaccuracies or damage caused.

Timber Chain

Sharp Top Chain



Chain number	Pitch	Roller diameter	Width between inner plates	Pin diameter	Side plate height	Plate thickness	Pin length	Attachment height	Tensile strength		
	P	A	B	C	F	G	L	T1	X	N	kN
08 B/K1	12.70	8.51	7.75	4.45	10.80	1.60	16.70	-	14.5	1.2	18.2
08 B/K2	12.70	8.51	7.75	4.45	10.80	1.60	16.70	0.3	14.5	1.2	18.2
12 B/K3	19.05	12.07	11.68	5.71	16.13	1.85	29.35	-	14.5	-	29.5

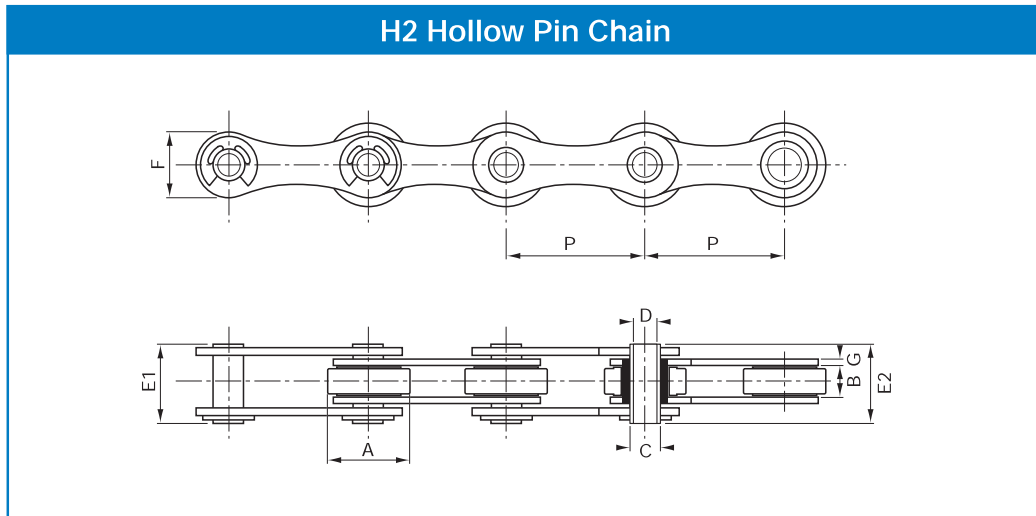
Every effort has been taken to ensure that the data listed in this catalogue is correct. Challenge accepts no liability for any inaccuracies or damage caused. All dimensions in millimetres unless otherwise stated.

Notes

Every effort has been taken to ensure that the data listed in this catalogue is correct. Challenge accepts no liability for any inaccuracies or damage caused.

Food Industry Chain

H2 Series



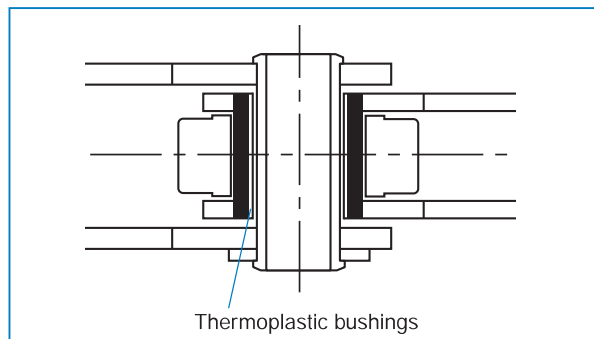
Challenge chain number	FK chain number	Pitch inches	Pitch mm	Roller diameter	Width between inner plates	Pin outside diameter	Pin inside diameter	Pin Length		Side plate height	Plate thickness	Tensile strength	Weight (Type C3)
		P	P	A	B	C	D	E1	E2	F	G	kN	kg/m
Steel													
CH2-HP	FK1650HP	2.0	50.8	30	10.5	11.4	8.2	27.5	28.8	26	3.1	55	2.15
CH2-HP-D	FK1650HP-D	2.0	50.8	30	10.5	11.4	8.2	27.5	28.8	26	3.1	55	1.55
Zinc Plated													
CH2-HP-ZP	FK1650HPZP	2.0	50.8	30	10.5	11.4	8.2	27.5	28.8	26	3.1	55	2.15
CH2-HP-ZP-D	FK1650HPZP-D	2.0	50.8	30	10.5	11.4	8.2	27.5	28.8	26	3.1	55	1.55
Zinc Plated and Stainless													
CH2-HP-ZPSS	FK1650HPZS400	2.0	50.8	30	10.5	11.4	8.2	27.5	28.8	26	3.1	55	2.15
CH2-HP-ZPSS-D	FK1650HPZS400-D	2.0	50.8	30	10.5	11.4	8.2	27.5	28.8	26	3.1	55	1.55
Stainless													
CH2-HP-SS	FK1650HPSS	2.0	50.8	30	10.5	11.4	8.2	27.5	28.8	26	3.1	32	2.15
CH2-HP-SS-D	FK1650HPSS-D	2.0	50.8	30	10.5	11.4	8.2	27.5	28.8	26	3.1	32	1.55
CH2-HP-SS400	FK1650HPSS400	2.0	50.8	30	10.5	11.4	8.2	27.5	28.8	26	3.1	42	2.15
CH2-HP-SS400-D	FK1650HPSS400-D	2.0	50.8	30	10.5	11.4	8.2	27.5	28.8	26	3.1	42	1.55
Low Maintenance													
CH2-HP-ZP-TPB	FK1650HPZPK	2.0	50.8	30	10.5	11.4	8.2	27.5	28.8	26	3.1	55	2.15
CH2-HP-ZP-TPB-D	FK1650HPZPK-D	2.0	50.8	30	10.5	11.4	8.2	27.5	28.8	26	3.1	55	1.55
CH2-HP-SS-TPB	FK1650HPSSK	2.0	50.8	30	10.5	11.4	8.2	27.5	28.8	26	3.1	32	2.15
CH2-HP-SS-TPB-D	FK1650HPSSK-D	2.0	50.8	30	10.5	11.4	8.2	27.5	28.8	26	3.1	32	1.55
CH2-HP-SS400-TPB	FK1650HPSSK400	2.0	50.8	30	10.5	11.4	8.2	27.5	28.8	26	3.1	42	2.15
CH2-HP-SS400-TPB-D	FK1650HPSSK400-D	2.0	50.8	30	10.5	11.4	8.2	27.5	28.8	26	3.1	42	1.55

Food Industry Chain

H2 Hollow pin chains are widely used in many conveyor applications such as agriculture, food and packaging. H2 chain is manufactured to the highest standard for maximum performance. The chain-lengths are matched (paired) and clearly labeled.



**Low maintenance
CH2 Series**
with Thermoplastic
bushings



Versions:

- Steel
- Zinc
- Stainless
- Stainless 400
- PA6 roller
- Low maintenance

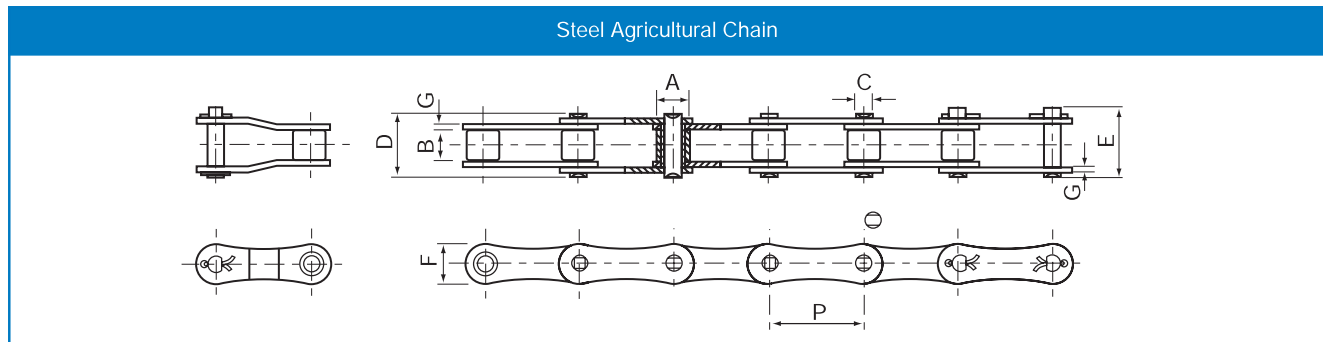
Challenge chain number	Description	Material Requirement				
		Hollow pin	Bush	Liner bush	Roller	Plate
Steel						
CH2-HP	Steel steel roller	ST-CH	ST-CH		ST-CH	ST-HT
CH2-HP-D	Steel plastic roller	ST-CH	ST-CH		PA6	ST-HT
Zinc Plated						
CH2-HP-ZP	Steel steel roller Zinc Plated	ST-CH-ZP	ST-CH-ZP		ST-CH-ZP	ST-HT-ZP
CH2-HP-ZP-D	Steel plastic roller Zinc Plated	ST-CH-ZP	ST-CH-ZP		PA6	ST-HT-ZP
Zinc Plated and SS						
CH2-HP-ZPSS	Stainless steel	SS-400-HT	SS-400-HT		ST-CH-ZP	ST-HT-ZP
CH2-HP-ZPSS-D	Stainless steel plastic roller	SS-400-HT	SS-400-HT		PA6	ST-HT-ZP
Stainless						
CH2-HP-SS	Stainless steel 400 series	SS-304	SS-304		SS-304	SS-304
CH2-HP-SS-D	Stainless steel 400 series plastic roller	SS-304	SS-304		PA6	SS-304
CH2-HP-SS400	Stainless steel 400 series	SS-400-HT	SS-400-HT		SS-304	SS-304
CH2-HP-SS400-D	Stainless steel 400 series plastic roller	SS-400-HT	SS-400-HT		PA6	SS-304
Low Maintenance						
CH2-HP-ZP-TPB	Steel steel roller TPB Zinc Plated	ST-CH-ZP	ST-CH-ZP	TPB	ST-CH-ZP	ST-HT-ZP
CH2-HP-ZP-TPB-D	Steel plastic roller TPB Zinc Plated	ST-CH-ZP	ST-CH-ZP	TPB	PA6	ST-HT-ZP
CH2-HP-SS-TPB	Stainless steel TPB Zinc Plated	SS-304	SS-304	TPB	SS-304	SS-304
CH2-HP-SS-TPB-D	Stainless steel plastic roller TPB Zinc Plated	SS-304	SS-304	TPB	PA6	SS-304
CH2-HP-SS400-TPB	Stainless steel 400 series TPB Zinc Plated	SS-400-HT	SS-400-HT	TPB	SS-304	SS-304
CH2-HP-SS400-TPB-D	Stainless steel 400 series plastic roller TPB Zinc Plated	SS-400-HT	SS-400-HT	TPB	PA6	SS-304

Key	ST-CH - Steel, case hardened	SS-304 - Stainless steel 304
	ST-CH-ZP - Steel, case hardened, zinc plated	SS-400-HT - Stainless steel 400 series, through hardened
	ST-HT - Steel, through hardened	PA6 - Nylon PA6
	ST-HT-ZP - Steel, through hardened, zinc plated	TPB - Thermoplastic bushing

Every effort has been taken to ensure that the data listed in this catalogue is correct. Challenge accepts no liability for any inaccuracies or damage caused.

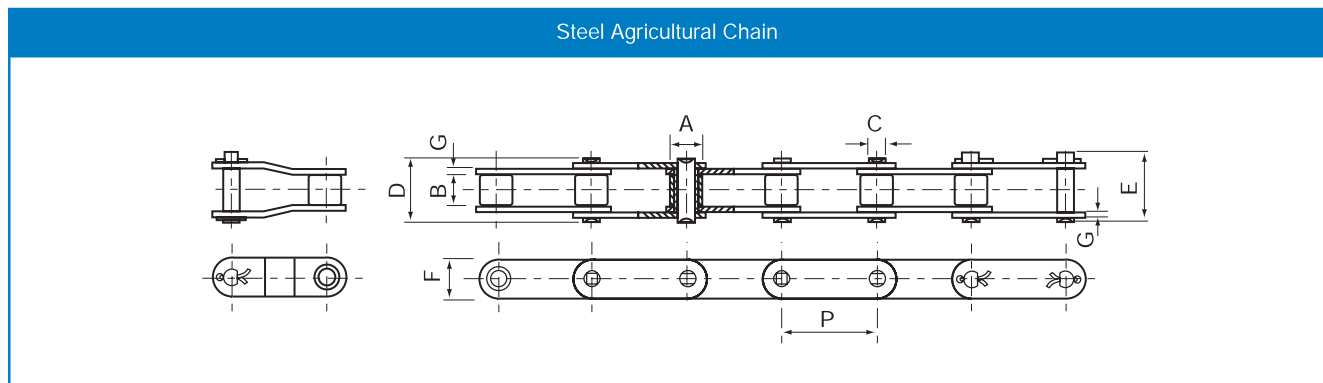
Agricultural Chain

Steel Agricultural Chain



Chain number	Pitch	Roller diameter	Width between inner plates	Pin diameter	Pin length		Side plate height	Plate thickness	Minimum tensile strength	Average tensile strength	Weight
	P	A	B	C	D	E	F	G	kN	kN	kg/m
S32	29.21	11.43	15.88	4.45	26.70	28.80	13.20	1.80	8.00	21.60	0.86
S42	34.93	14.27	19.05	7.00	34.30	37.00	19.80	2.80	27.00	50.80	1.60
S45	41.40	15.24	22.23	5.72	37.70	40.40	17.30	2.80	18.00	36.10	1.66
S52	38.10	15.24	22.23	5.72	37.70	40.40	17.30	2.80	18.00	36.10	1.68
S55	41.40	17.78	22.23	5.72	37.70	40.40	17.30	2.80	18.00	36.10	1.80
S55X	41.40	15.88	20.00	8.28	38.00	40.70	20.00	3.00	50.00	55.00	2.20
S55R	41.40	17.78	22.23	8.90	41.00	44.00	22.40	3.50	45.00	73.10	2.49
S62	41.91	19.05	25.40	5.72	40.30	43.00	17.30	2.50	27.00	36.10	1.87
S77	58.34	18.26	22.23	8.90	43.20	46.40	26.20	4.00	45.00	73.10	2.65
S88	66.27	22.86	28.58	8.90	49.80	53.00	26.20	4.00	45.00	73.10	3.25

Steel Agricultural Chain



Chain number	Pitch	Roller diameter	Width between inner plates	Pin diameter	Pin length		Side plate height	Plate thickness	Minimum tensile strength	Average tensile strength	Weight
	P	A	B	C	D	E	F	G	kN	kN	kg/m
38.4	38.400	15.88	19.05	6.92	33.80	37.00	17.30	2.50	25.00	33.00	1.65
38.4-V	38.400	15.88	18.00	6.92	33.80	37.00	17.30	3.00	31.50	40.00	1.74
38.4-VB	38.400	15.88	19.05	8.27	36.20	39.40	20.50	3.00	45.00	50.00	2.12
CA550	41.400	16.87	19.81	7.19	35.00	38.00	19.30	2.80	39.10	51.20	1.94
CA555	41.400	16.87	12.70	7.19	29.70	33.10	19.30	3.10	39.10	56.00	1.83
CA557	41.400	17.78	20.24	8.00	37.40	40.60	23.10	3.10	55.61	74.30	2.65
CA620	42.010	17.91	24.51	7.19	41.80	45.20	20.20	3.25	39.10	55.10	2.35
CA627	30.000	15.88	19.05	8.28	36.10	39.40	20.50	3.00	50.00	55.00	2.51
CA650	50.800	25.00	19.05	9.53	40.40	44.70	25.00	4.00	90.00	95.00	3.49
CA2060H	38.100	11.91	12.70	5.94	29.74	31.72	17.45	3.25	31.28	40.50	1.50

Every effort has been taken to ensure that the data listed in this catalogue is correct. Challenge accepts no liability for any inaccuracies or damage caused. All dimensions in millimetres unless otherwise stated.

Agricultural Chain Attachments

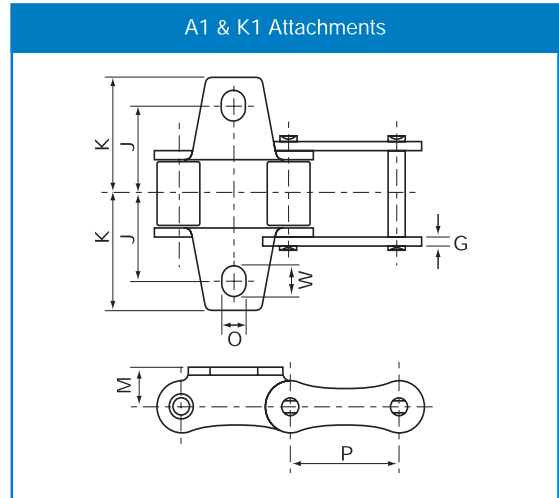
S Series A1 & K1 Attachments

Chain number	P	G	J	K	M	O	W
S32	29.21	1.80	21.50	30.50	8.60	5.30	6.90
S42	34.93	2.80	27.00	37.45	14.00	8.30	11.50
S45	41.40	2.80	27.00	37.50	11.40	8.50	11.70
S52	38.10	2.80	29.40	39.00	11.40	8.30	9.90
S55	41.40	2.80	27.00	37.50	11.40	8.50	11.70
S62	41.91	2.50	33.40	47.70	11.40	6.50	13.00
S77	58.34	4.00	38.10	50.80	20.80	8.40	11.70
S88	66.27	4.00	48.50	59.70	20.80	8.40	10.00

A1 = Attachment one side

K1 = Attachment both sides

Note:- Slotted holes



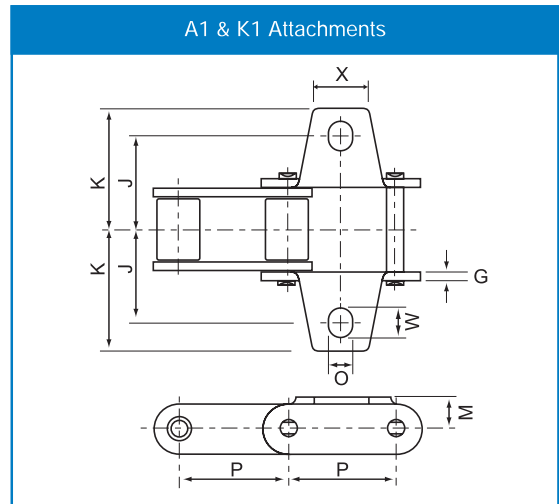
38.4 & CA Series A1 & K1 Attachments

Chain number	P	G	J	K	M	O	W	X
38.4	38.40	2.50	29.00	41.50	15.40	9.00		
38.4-V	38.40	3.00	28.75	41.00	15.40	9.00		
38.4-VB	38.40	3.00	29.00	43.50	14.00	10.50		
CA550	41.40	2.80	26.25	38.10	12.70	8.30	10.00	22.00
CA557	41.40	3.10	25.40	36.00	15.90	8.70		

A1 = Attachment one side

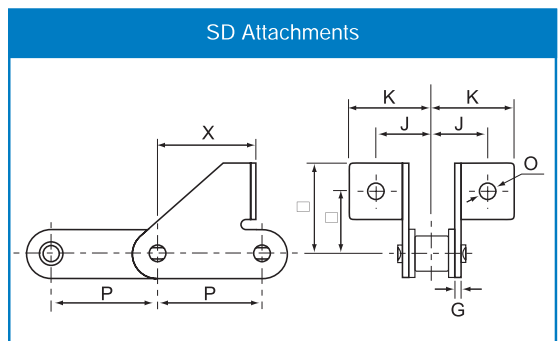
K1 = Attachment both sides

Note:- Slotted holes



S, 38.4 & CA Series SD Attachment

Chain number	P	G	Q	J	K	H	X	O
S45	41.40	2.80	26.00	29.00	44.25	16.00	24.00	6.40
S55	41.40	2.80	26.00	29.00	44.25	16.00	24.00	6.40
38.4	38.40	2.50	37.00	26.00	35.50	24.00	38.40	8.40
38.4-V	38.40	3.00	37.00	26.00	35.50	24.00	38.40	8.40
38.4-VB	38.40	3.00	34.00	26.00	35.50	25.00	38.40	8.40
CA550	41.40	2.80	42.90	23.80	34.10	31.00	36.90	8.70



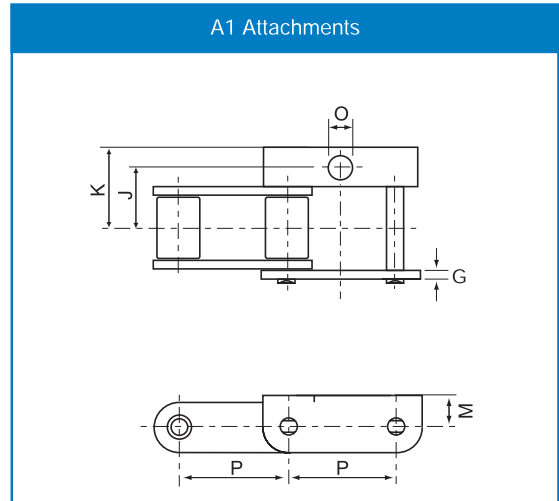
All dimensions in millimetres unless otherwise stated. Every effort has been taken to ensure that the data listed in this catalogue is correct. Challenge accepts no liability for any inaccuracies or damage caused.

Agricultural Chain Attachments

CA Series A1 Attachment

Chain number	P	G	J	K	M	O
CA620	42.01	3.25	34.58	45.40	14.35	10.30

A1 = Attachment one side



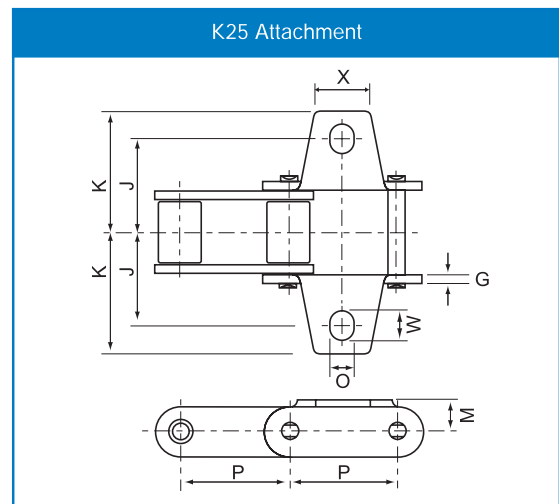
CA Series K25 Attachment

Chain number	P	G	J	K	M	O	W	X
CA550	41.40	2.80	50.80	35.70	12.70	8.70	10.00	22.23

A1 = Attachment one side

K1 = Attachment both sides

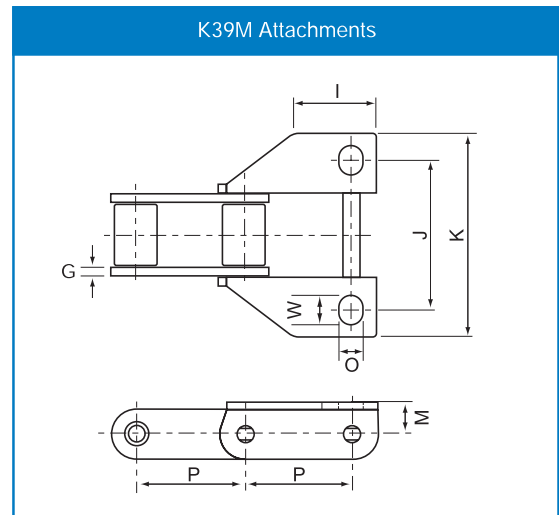
Note:- Slotted holes



CA Series K39M Attachment

Chain number	P	G	I	J	K	M	O	W
CA550	41.40	2.80	30.0	50.80	72.00	12.70	9.90	13.00
CA557	41.40	3.10	38.1	53.94	76.20	14.60	9.90	13.00

NOTE:- Slotted holes



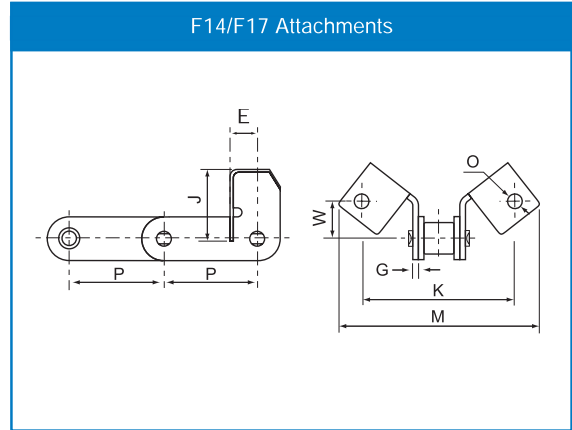
Agricultural Chain Attachments

CA Series F14 Attachments

Chain number	P	G	J	K	M	O	W	E
CA550	41.40	2.80	31.75	79.40	101.60	8.33	15.90	20.24
CA557	41.40	3.10	31.75	79.40	109.80	8.60	15.88	19.60

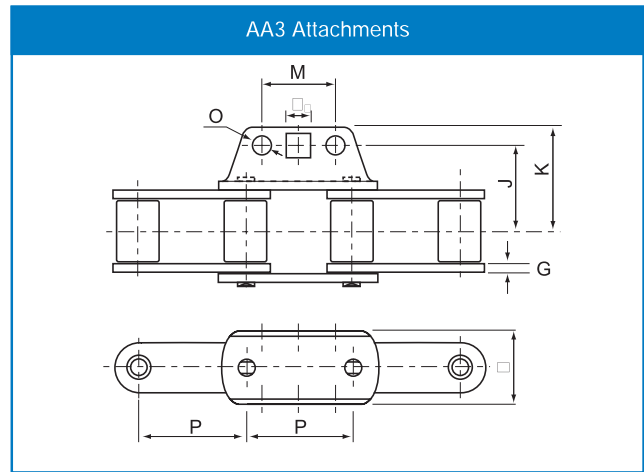
CA Series F17 Attachment

Chain number	P	G	J	K	M	O	W	E
CA550	41.40	2.80	40.89	114.30	143.70	9.91	20.57	23.68



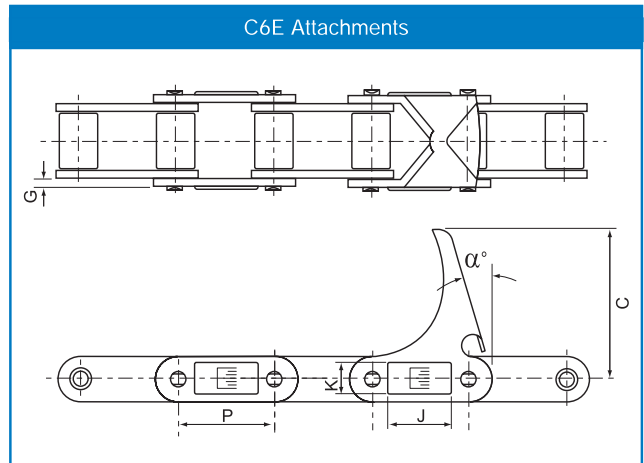
CA Series AA3 Attachment

Chain number	P	G	J	K	M	H	O	S ₁
CA557	41.40	3.10	31.90	43.29	30.20	31.06	8.20	9.73



CA Series C6E Attachment

Chain number	P	G	C	J	K	α°
CA550	41.40	2.80	55.60	23.60	13.50	20.00
CA555	41.40	3.10	63.50	23.60	13.50	15.00
C2060H	38.10	3.25	63.50	-	-	22.50

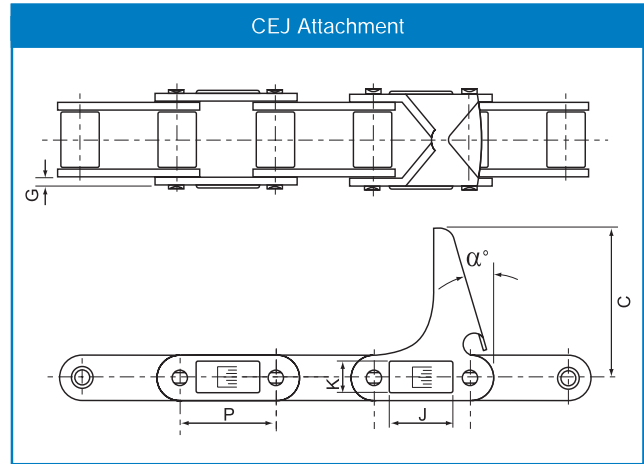


All dimensions in millimetres unless otherwise stated. Every effort has been taken to ensure that the data listed in this catalogue is correct. Challenge accepts no liability for any inaccuracies or damage caused.

Agricultural Chain Attachments

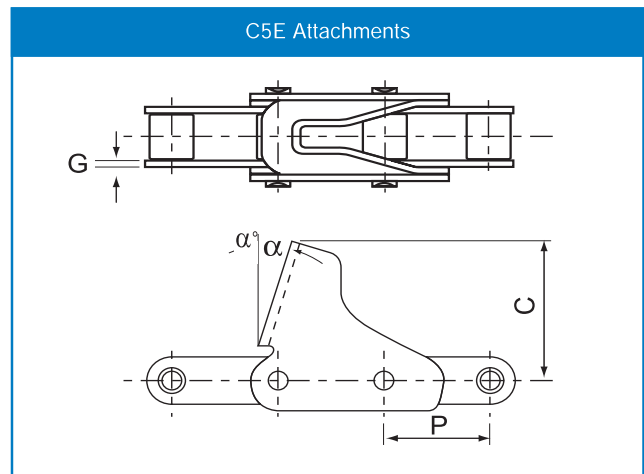
CA Series 6EJ Attachment

Chain number	P	G	C	J	K	α°
CA620	42.01	3.20	66.00	23.60	13.50	15.00



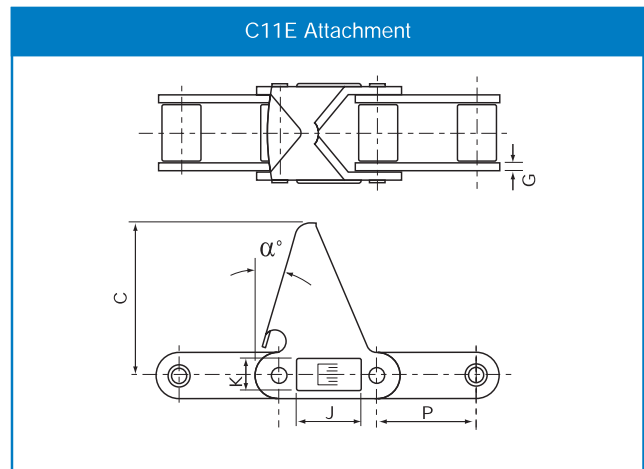
CA Series C5E Attachment

Chain number	P	G	C	α°
CA550	41.40	2.80	59.00	15.00
CA555	41.40	3.10	57.15	15.00



CA Series C11E Attachment

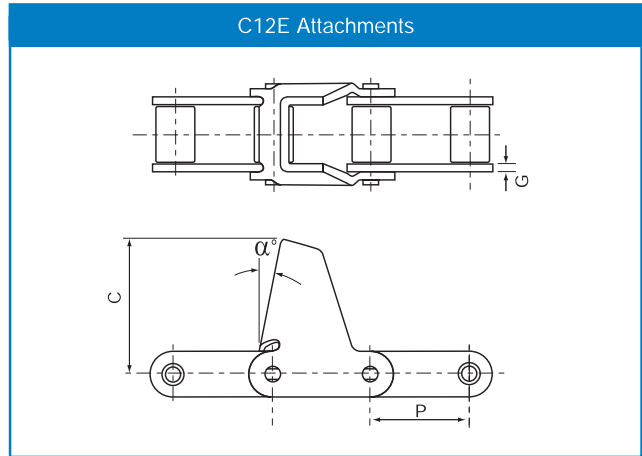
Chain number	P	G	C	J	K	α°
CA550	41.40	2.80	59.00	23.60	13.50	15.00



Agricultural Chain Attachments

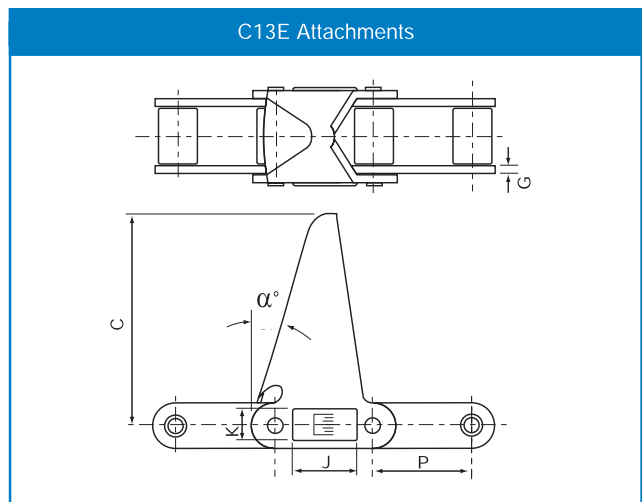
CA Series C12E Attachment

Chain number	P	G	C	α°
CA550	41.40	2.80	59.00	9.00



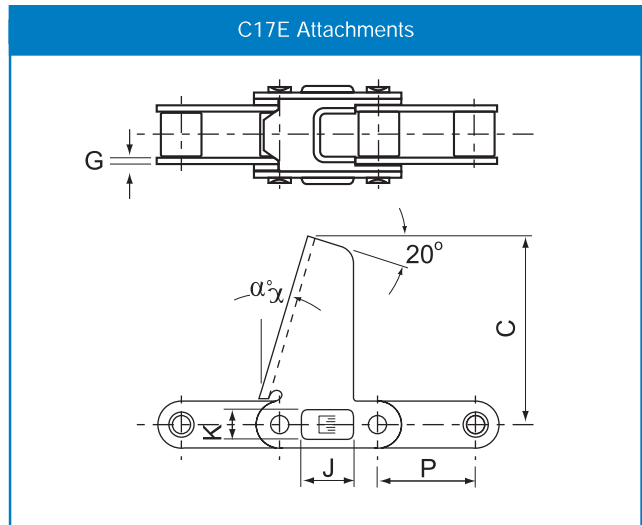
CA Series C13E Attachment

Chain number	P	G	C	J	K	α°
CA550	41.40	2.80	92.10	23.60	13.50	15.00



CA Series C17E Attachment

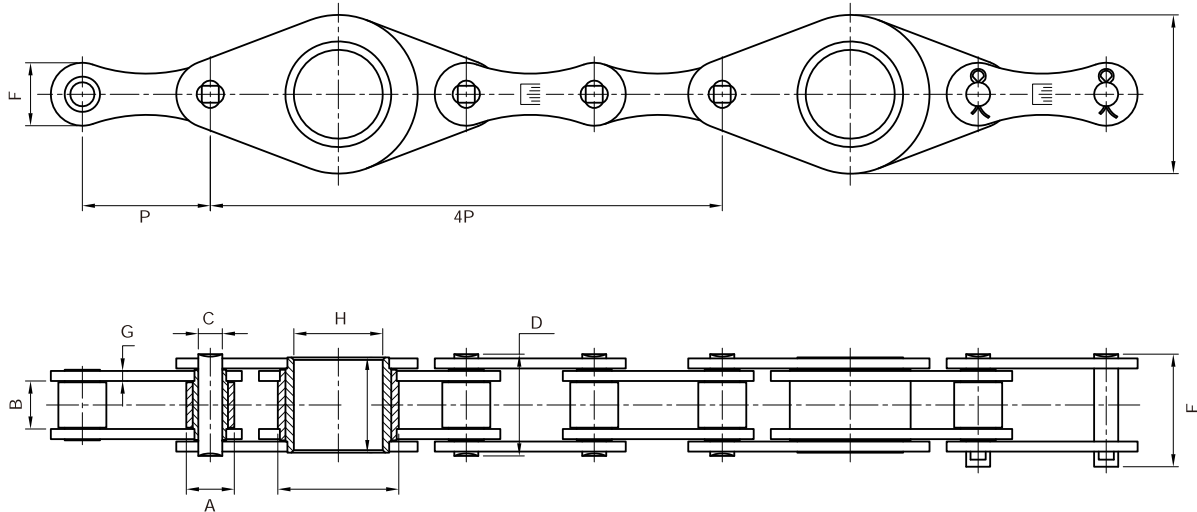
Chain number	P	G	C	J	K	α°
CA550	41.40	2.80	76.20	23.60	13.50	15.00



All dimensions in millimetres unless otherwise stated. Every effort has been taken to ensure that the data listed in this catalogue is correct. Challenge accepts no liability for any inaccuracies or damage caused.

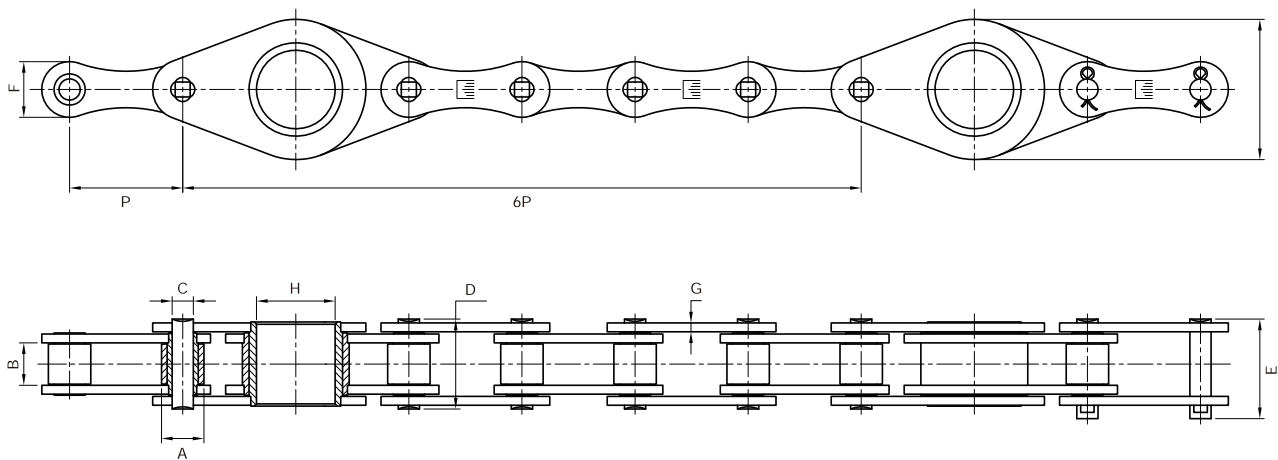
Agricultural Chain Attachments

CA650F3 X L4



Model	Pitch	Roller diameter	Width between inner plates	Pin diameter	Pin length		Side plate height	Plate thickness	Hollow pin inner diameter	Minimum tensile strength	Attachment spacing
	P	A	B	C	D	E	F	G		kN	
CA650F3/L4	50.80	19.05	19.05	9.53	40.40	44.7	25.00	4.00	35.3	90.00	4P

CA650F3 X L6

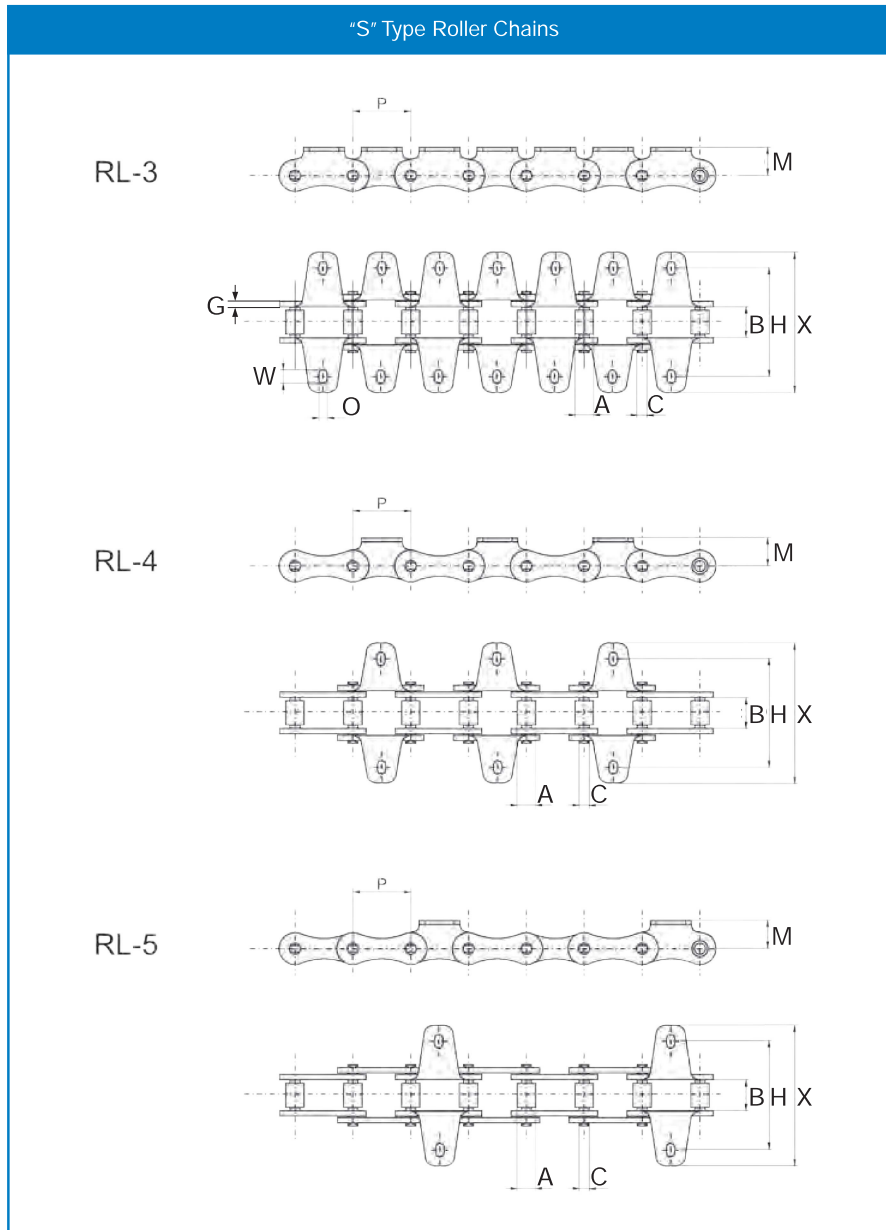


Model	Pitch	Roller diameter	Width between inner plates	Pin diameter	Pin length		Side plate height	Plate thickness	Hollow pin inner diameter	Minimum tensile strength	Attachment spacing
	P	A	B	C	D	E	F	G		kN	
CA650F3/L6	50.80	19.05	19.05	9.53	40.40	44.7	25.00	4.00	35.3	90.00	6P

Every effort has been taken to ensure that the data listed in this catalogue is correct. Challenge accepts no liability for any inaccuracies or damage caused. All dimensions in millimetres unless otherwise stated.

Agricultural Chain Attachments

"S" Type Roller Chains

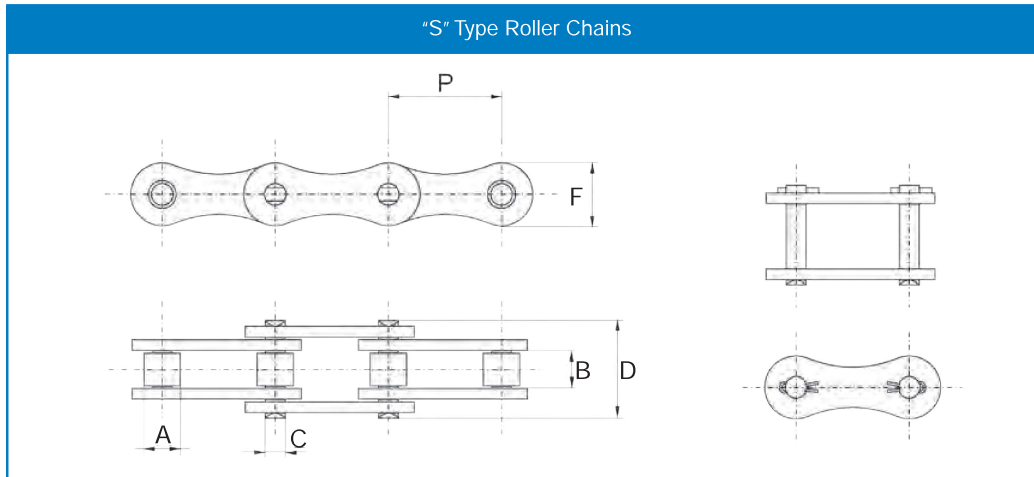


Chain number	Pitch	Roller diameter	Width between inner plates	Pin diameter	Side plate thickness	Attachment height					Average tensile strength
	P	A	B	C	G	H	X	M	O	W	kN
S55X/RL-3	41.40	15.88	20.00	8.28	3.00	52.00	79.40	17.00	8.30	10.00	55.00
S55X/RL-4	41.40	15.88	20.00	8.28	3.00	52.00	79.40	17.00	8.30	10.00	55.00
S55X/RL-5	41.40	15.88	20.00	8.28	3.00	52.00	79.40	17.00	8.30	10.00	55.00

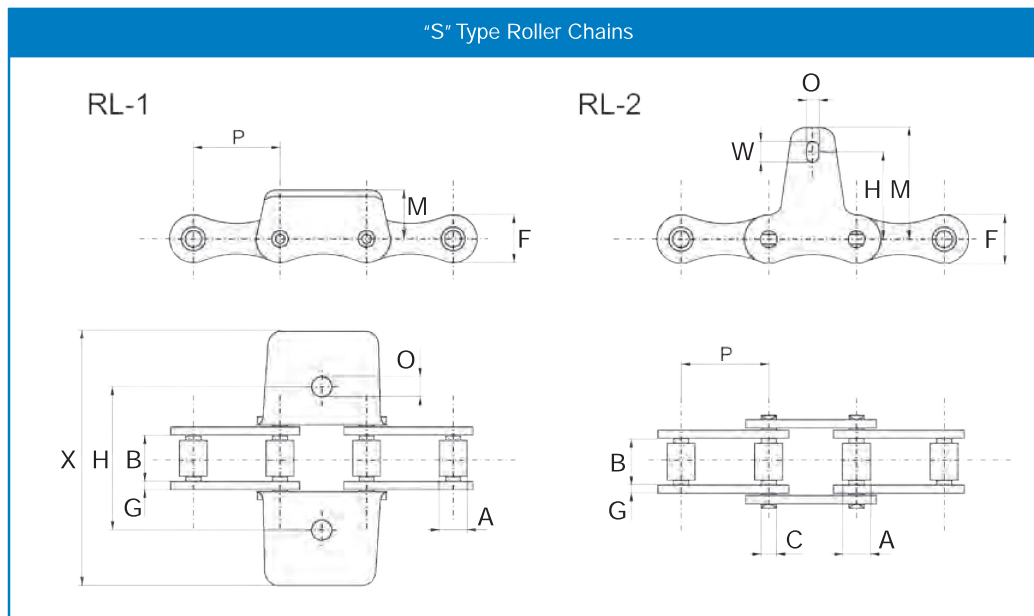
All dimensions in millimetres unless otherwise stated. Every effort has been taken to ensure that the data listed in this catalogue is correct. Challenge accepts no liability for any inaccuracies or damage caused.

Agricultural Chain Attachments

"S" Type Roller Chains



Chain	Pitch P	Roller diameter A	Width between inner plates B	Pin diameter C	Side plate height F	Pin length D	Average tensile strength kN
S55X/TM-1	41.40	15.88	20.00	8.28	20.00	38.00	55.00

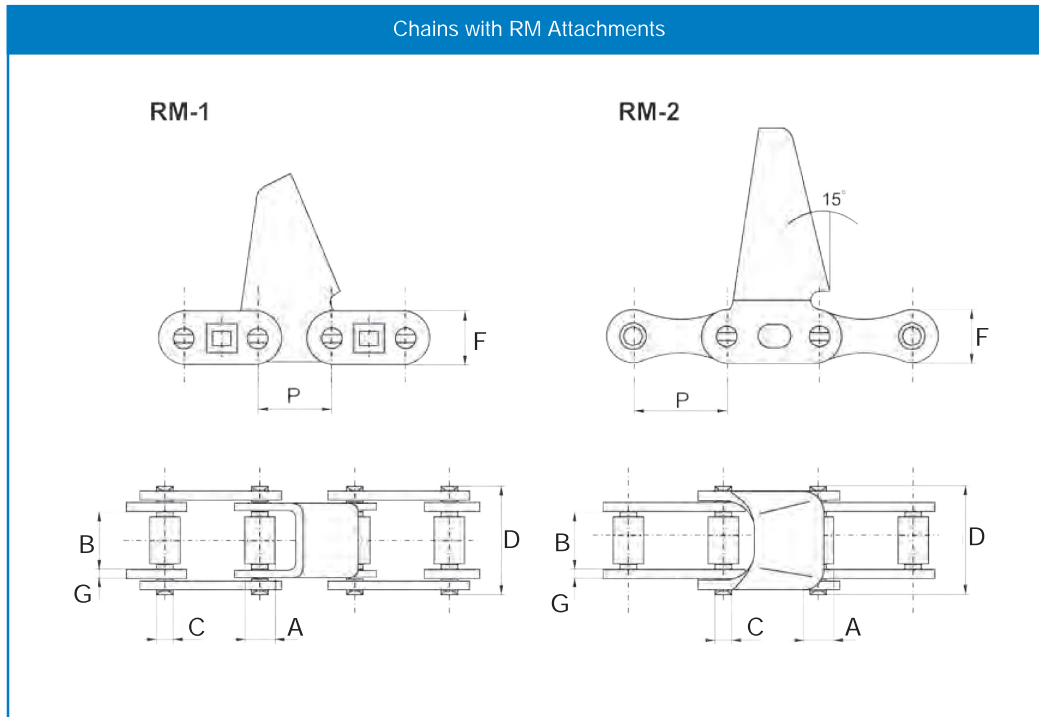


Chain	Pitch P	Roller diameter A	Width between inner plates B	Pin diameter C	Side plate height F	Side plate thickness G	Attachment height H	Attachment height X	Attachment height M	Attachment height O	Attachment height W	Average tensile strength kN
S55X RL-1	41.40	15.88	20.00	8.28	20.00	3.00	52.00	90.00	17.00	8.30	-	55.00
S55X RL-2	41.40	15.88	20.00	8.28	20.00	3.00	23.70	-	34.40	8.30	10.00	55.00

Every effort has been taken to ensure that the data listed in this catalogue is correct. Challenge accepts no liability for any inaccuracies or damage caused. All dimensions in millimetres unless otherwise stated.

Agricultural Chain Attachments

Chains with RM Attachment



Model	Pitch	Roller diameter	Width between inner plates	Pin diameter	Pin length	Side plate height	Plate thickness	Minimum tensile strength
	P	A	B	C	D	F	G	kN
RM1	30.00	15.88	20.00	8.28	35.80	20.70	3.00	40.00
RM2	30.00	15.88	20.00	8.28	38.00	20.00	3.00	40.00

All dimensions in millimetres unless otherwise stated. Every effort has been taken to ensure that the data listed in this catalogue is correct. Challenge accepts no liability for any inaccuracies or damage caused.