

Edition
2018

FKLO®

MADE IN SERBIA

Factory of Rolling Bearings and Cardan Shafts



Katalog/Product catalogue

Poljoprivredni program prema zahtevu kupca
Customer Tailored Solutions in Agriculture



Your partner for

Providing the Best Solutions



KATALOG
CATALOGUE

Izdanje 2018.
Edition 2018.

Poljoprivredni program prema zahtevu kupca

Customer Tailored Solutions in Agriculture

Ležajevi tanjirače *Disc Harrow Solutions*



Agro Point IL20	7
Agro Point IL30	8
Agro Point IL50-M	9
Agro Point IL50-B	10
Agro Point IL60	11
Agro Point IL-117-M22-D	12
PL-127	13
PL-140	14
PL-185-M30-R (L)	15
306230	16
3206 B.2RS1	17
3307 B.2RS1	18
357234A	19
GWST 209PPB13	20
GWST 209PPB29	21
GWST 211PPB20	22
GWST 211PPBP40.X3	23
GW 211PP25	24
GW 211PP202	25
GWR 209PPB30	26
GWR 211PPB21	27
SBX 1227	28
GWHG 211PP25	29
GWHGR 211PP202	30

Sadržaj/Content

Ležajevi sejačice *Seeding Machine Solutions*



VP-16/40/74,5	31
885152	32
885154B	33
3204 B.2RS1	34
3204 T	35
3205 B.2RS1	36
5206 KPP3	37
SL 3303 2S	38
SL 5203 2T	39
SL2 5203-2T	40
VP-M20x1.5/40/72-R (L)	41
06C04-2Z	42
Q 203PP.AH02	43
Q 203PP.AH05	44
SL 53-014-2T	45
SL 5316 2T	46
SLE 53-012-2T	47
SLU 53-012-2T	48
205KRP2	49
LY 312 2F	50
SLE 47-16S-2RS	51
203KRR.AH02	52
203KRR.AH05	53
203KPP.AH02	54
203KPP.AH05	55
204KRR2	56
204KRR	57
204KRRB2	58
203KRR	59
PL-7517/7520	60

Poljoprivredni program prema zahtevu kupca *Customer Tailored Solutions in Agriculture*

Ležajevi valjka *Packer Rollers Solutions*



LSFR 308 TBT.H.T.Zn/LSFR 308 2TB.H.T.Zn	61
LSGR 205 FS	62
LSGR 207 TBS	63
LSNN 208 TDT.H.T4*K	64
LSNR 205 2T	65
LSNR 207 TBS	66
LSQFG 210 2PB.H	67
LEFN 212 M 2TB	68

Ležajevi balirke *Packer Ballers Solutions*



LR-35/72	69
----------	----

Sadržaj/Content

Ležajevi kombajna *Combine Solutions*



SL 40/90/36.5	70
209 KRR K/50.135	71
207KRRB9	72
G207 KPP3 AH16	73
Z10RRB6	74
LY 208-108 2F.SH	75
W 208PPB16	76
W 208PP16	77

Univerzalna rešenja *Universal Solutions*



LEFG 210 TDT - Bearing unit ARMOR	78
LEFN 210 2PC	79
SLV 394681 A1	80
SLV 4639	81

FKL Distributeri/FKL Distributors	82
-----------------------------------	----

Poljoprivredni program prema zahtevu kupca *Customer Tailored Solutions in Agriculture*

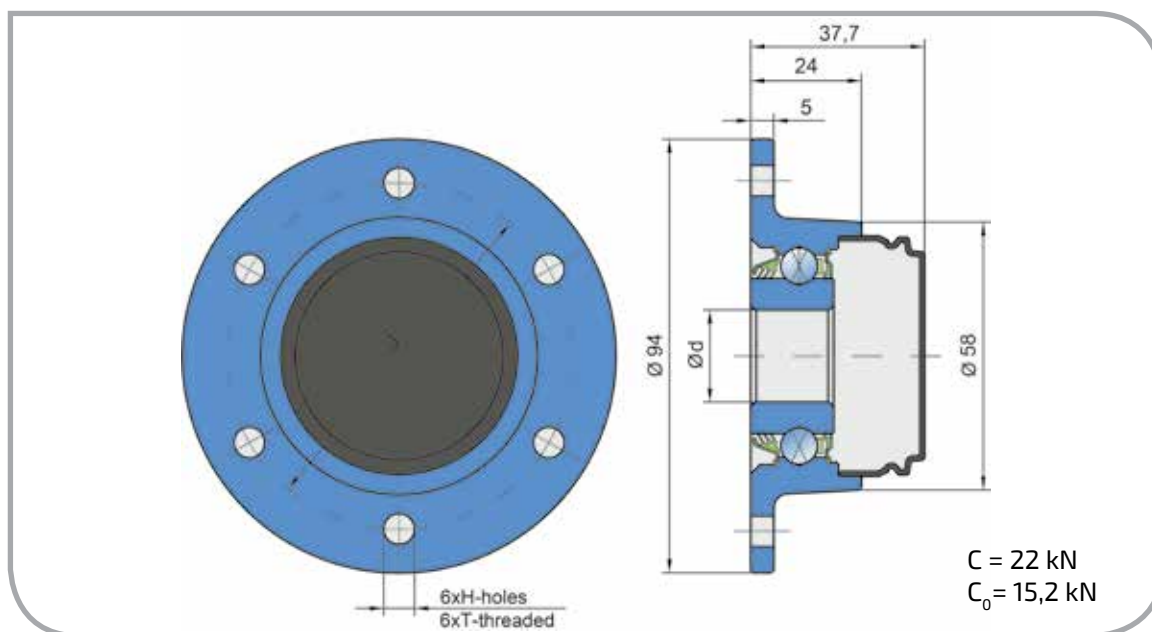
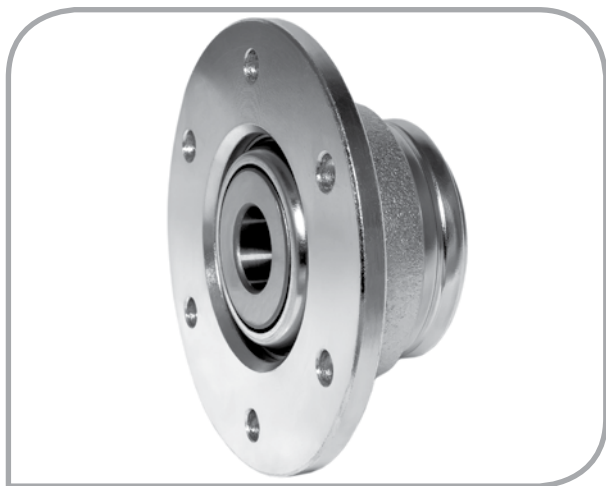


Agro Point ležaj

Agro Point Bearing



Agro Point IL20



Osnovne mere/Dimensions (mm)

IL20	J	H/T	d	kg
IL20-73/6H-B16	73.5	6x6,5	16	0,6
IL20-75/6H-B16	75	6x6,5	16	0,5
IL20-75/6H-B17	75	6x6,5	17	0,5
IL20-75/6H-B20	75	6x6,5	20	0,5
IL20-79/6H-B16	79.4	6x8,1	16	0,5

Potencijalno mesto ugradnje i primena:
Typical Applications:

Tanjirače
Disc Harrow

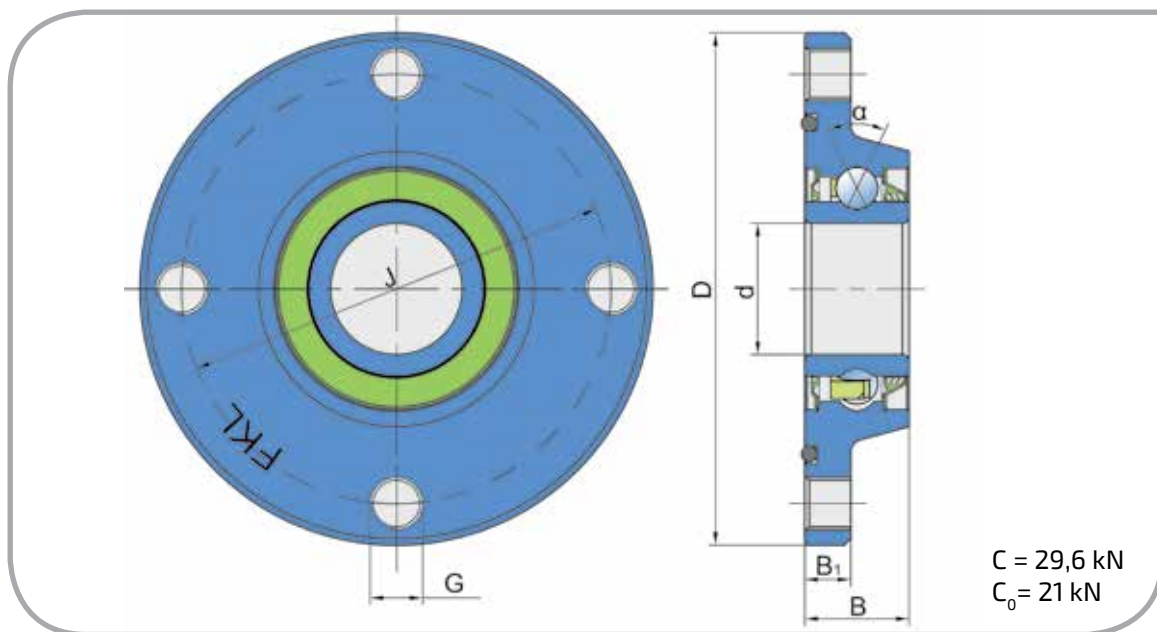
Napomena/Note

Zaštitnu kapu postavlja korisnik/The cover is installed by the user



Agro Point ležaj Agro Point Bearing

Agro Point IL30



Osnovne mere/Dimensions (mm)

IL30	J	H/T	kg
IL30-98/4T-B30	98	4xM12x1,25	0,905
IL30-98/5T-B30	98	5xM12x1,25	0,925

Potencijalno mesto ugradnje i primena:
Typical Applications:

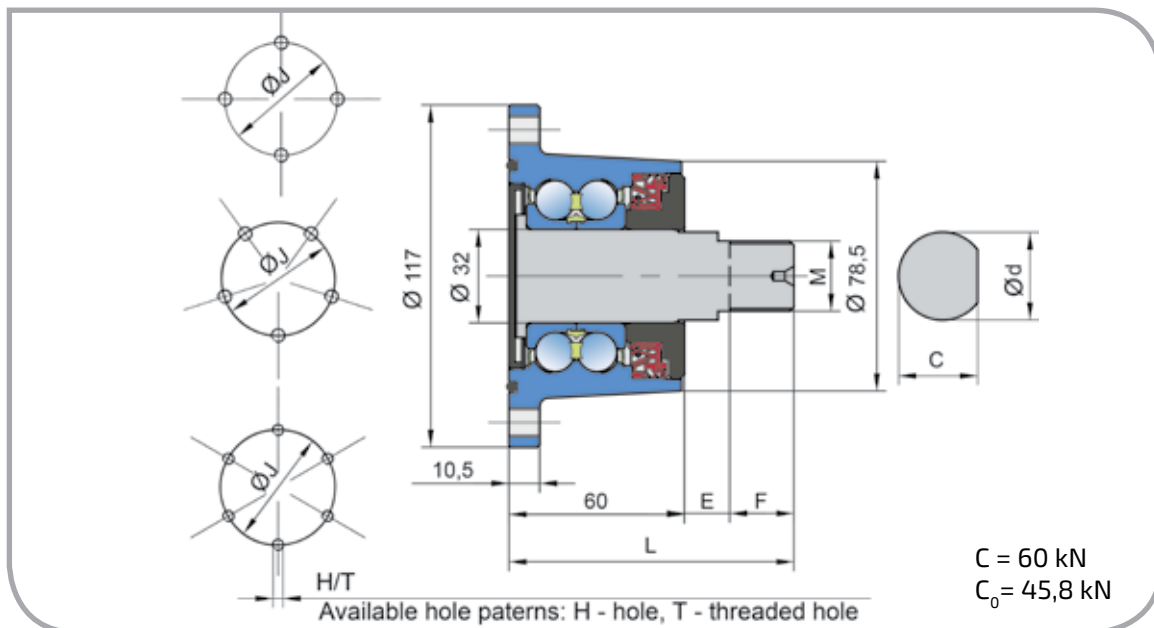
Tanjirače
Disc Harrow

Agro Point ležaj

Agro Point Bearing



Agro Point IL50-M



Osnovne mere/Dimensions (mm)

IL50-M	J	H/T	d	C	M	E	F	L	kg	Interchange
IL50-98/4T-M22	98	4xM12x1,25	27,95	25,4	M22x1,5	17	25	102	2,5	IL2-117-M22-D FKL
IL50-98/5T-M22	98	5xM12x1,25	27,95	25,4	M22x1,5	17	25	102	2,5	IL2-117-M22-G FKL
IL50-98/6T-M22	98	6xM12x1,25	27,95	25,4	M22x1,5	17	25	102	2,5	IL2-117-M22-I FKL
IL50-98/4T-M24	98	4xM12x1,25	30	27,5	M24x2	17	29	106	2,55	IL2-117-M24-H FKL
IL50-98/6T-M24	98	6xM12x1,25	30	27,5	M24x2	17	29	106	2,55	IL2-117-M24-D FKL
IL50-100/4T-1"	100	4xM12x1,25	30	27,5	1" SAE14h	36	29	125	2,65	IL2-117-1"
IL50-100/6T-M24.R	100	6xM10x1,25	30	27	M24x1,5	15,5	22	97,5	2,65	5554512 LEMKEN
IL50-100/6T-M24.L	100	6xM10x1,25	30	27	M24x1,5-Left	15,5	22	97,5	2,65	5554513 LEMKEN

Potencijalno mesto ugradnje i primena:
Typical Applications:

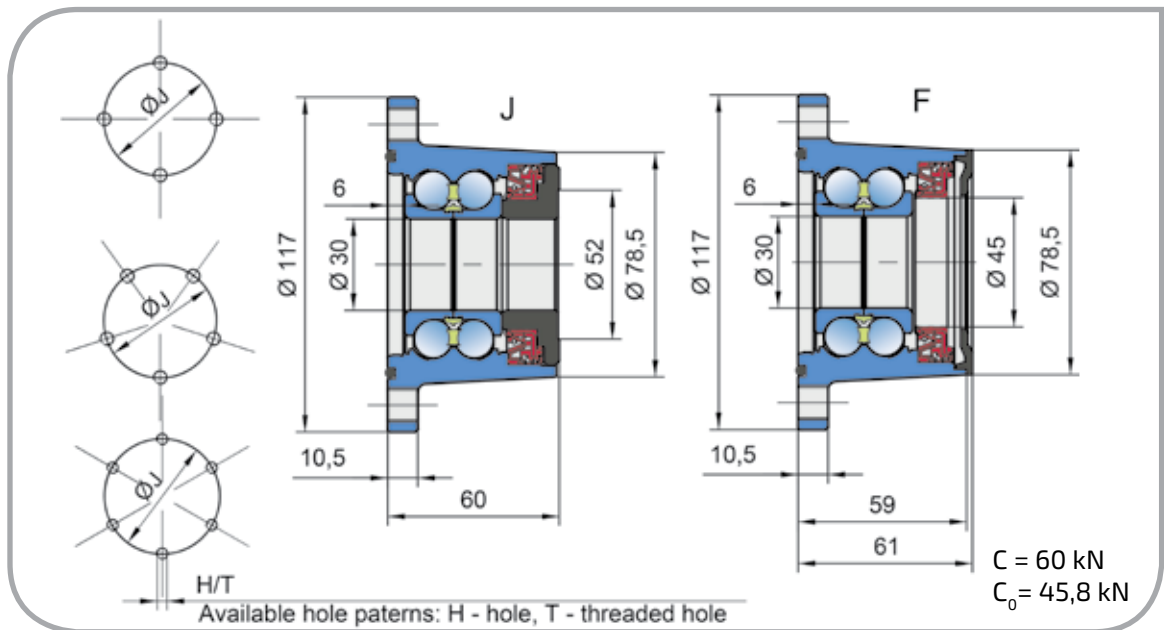
Tanjirače
Disc Harrow

Ležajevi tanjirače
Disc Harrow Solutions



Agro Point ležaj Agro Point Bearing

Agro Point IL50-B



Osnovne mere/Dimensions (mm)

IL50-B	J	H/T	kg	Interchange
IL50-98/4T-B30.J	98	4xM12x1,25	1,75	IL2-117-J
IL50-98/4T-B30.F	98	4xM12x1,25	1,6	IL2-117-F

Potencijalno mesto ugradnje i primena:
Typical Applications:

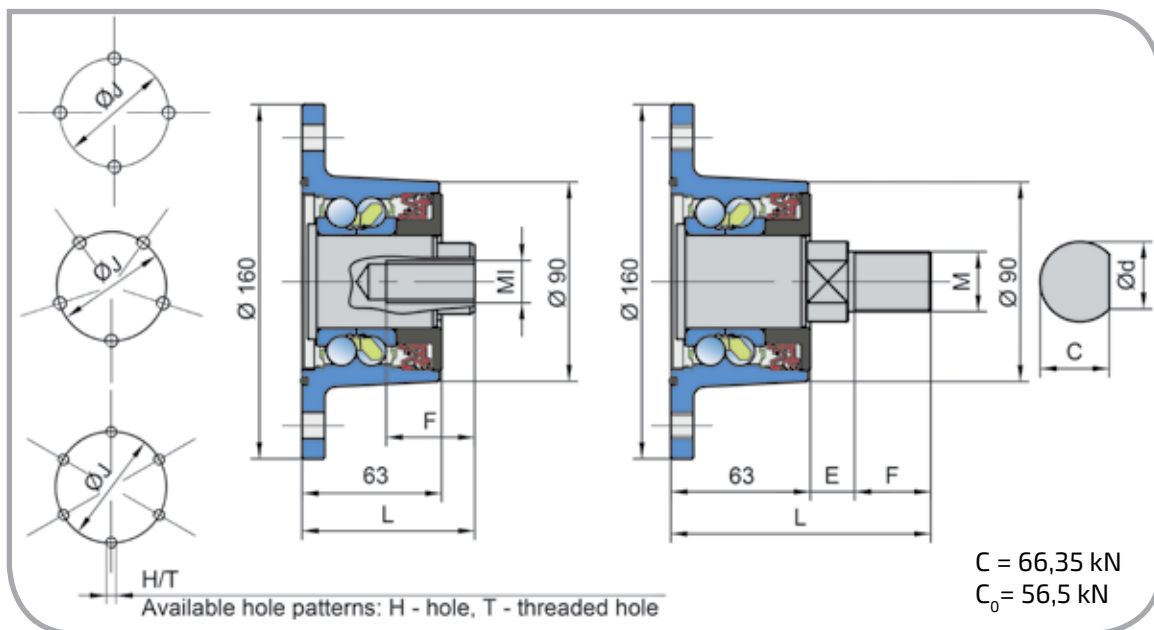
Tanjirače
Disc Harrow

Agro Point ležaj

Agro Point Bearing



Agro Point IL60



Osnovne mere/Dimensions (mm)

IL60	J	H/T	d	C	M	MI	E	F	L	kg
IL60-00-M20x1.5	-	without	31	34,9	-	M20x1,5	-	40	78	4,2
IL60-130/6T-M24	130	6xM12x1,25	30	28	M24x2	-	24	33	121	4,6
IL60-130/6T-M27	130	6xM12x1,25	35	33,5	M27x2	-	21	33,5	117,5	4,4
IL60-130/6T-M30-03	130	6xM12x1,25	36	33,5	M30x1,5	-	28	33	124	4,8
IL60-130/6T-M30-112-03	130	6xM12x1,25	40	37	M30x1,5	-	16	33	112	4,5
IL60-133/4H-3/4-16UNF	133,35	4x13,5	31	34,9	-	3/4-16UNF	-	40	78	4,1
IL60-140/5T-M27	140	5xM12x1,25	36	33,5	M27x2	-	21,5	33	117,5	4,7
IL60-140/6T-M27	140	6xM12x1,25	35	33,5	M27x2	-	21	33,5	117,5	4,4

Potencijalno mesto ugradnje i primena:
Typical Applications:

Tanjirače
Disc Harrow

Ležajevi tanjirače
Disc Harrow Solutions



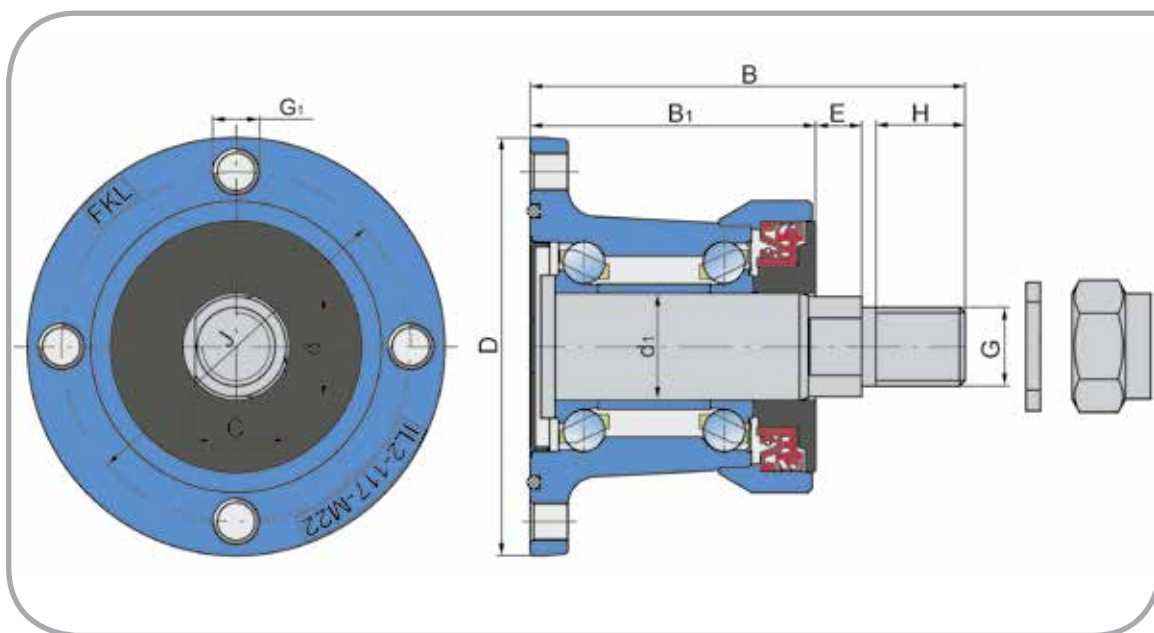
Agro Point ležaj

Agro Point Bearing

Agro Point IL-117-M22-D

Izvedba sa 5 rupa/Design with 5 holes
IL-117-M22-G

Izvedba sa 6 rupa/Design with 6 holes
IL-117-M22-I



Osnovne mere/Dimensions (mm)

d	d ₁	C	D	J	G ₁	B	B ₁	E	H	G	kg
27,95	30	25,4	117	98	M12x1,25	122	80	13	25	M22x1,5	2,8

Potencijalno mesto ugradnje i primena:
 Typical Applications:

Tanjirače
 Disc Harrow

Ležajna jedinica Bearing Unit



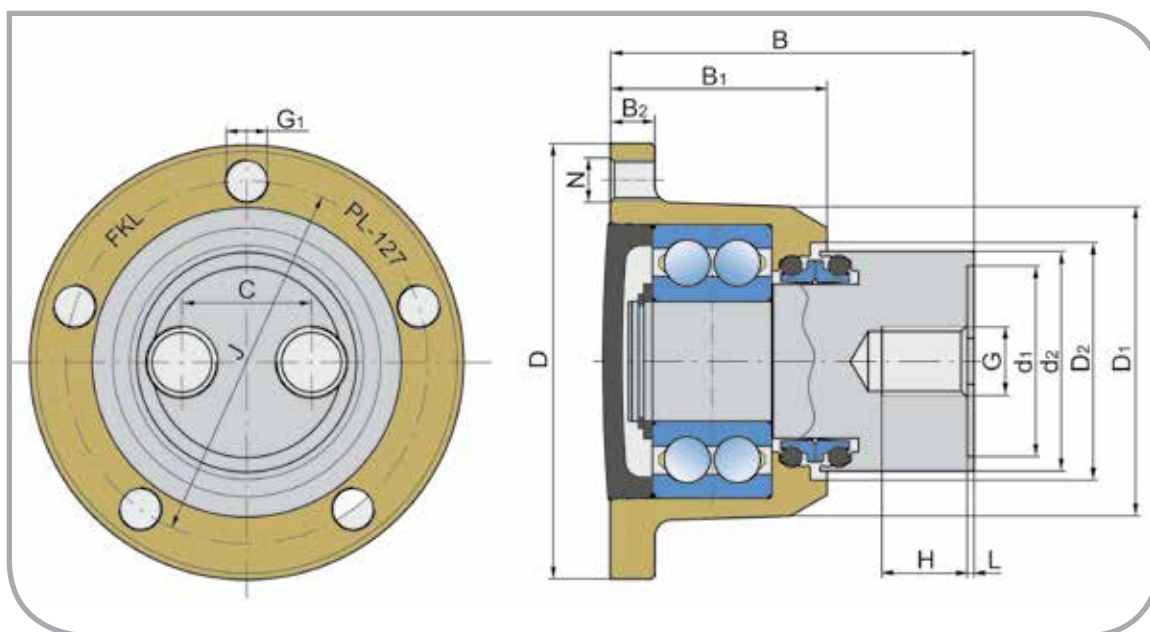
PL-127



UPOREDNE OZNAKE COMPARATIVE DESIGNATION

FKL	PL-127
HORSCH	28071300
	28085600
	28077800
	28077900

Ležajevi tanjirače
Disc Harrow Solutions



Osnovne mere/Dimensions (mm)

D	D ₁	D ₂	d ₁	d ₂	J	H	L	B	B ₁	B ₂	N	G ₁	G	C	kg
127,3	90,4	69,5	64,2	55,7	106	25	2	106,5	63,5	13	13	M12	M20	38	4

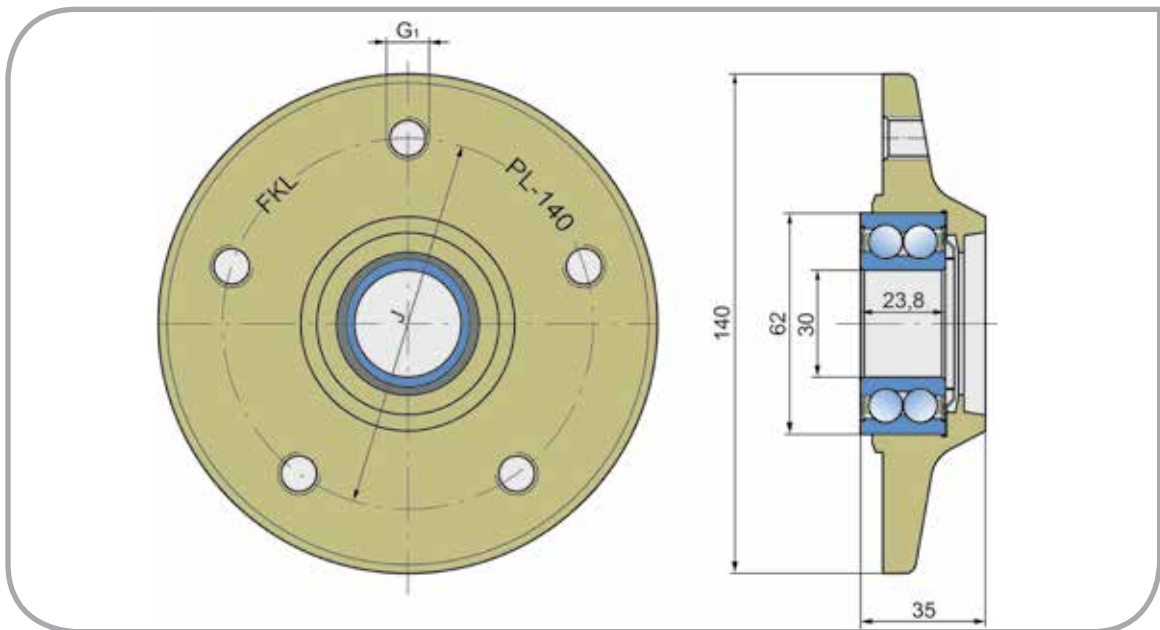
Potencijalno mesto ugradnje i primena:
Typical Applications:

Tanjirače
Disc Harrow



Ležajna jedinica Bearing Unit

PL-140



Osnovne mere/Dimensions (mm)

J	G ₁	kg
104	M12	1,5

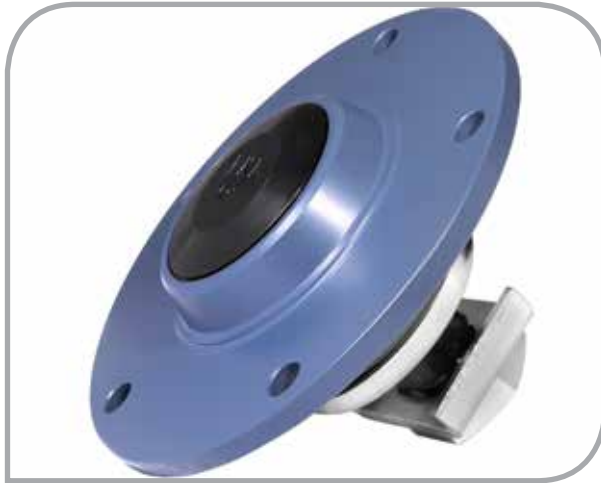
Potencijalno mesto ugradnje i primena:
Typical Applications:

Tanjirače
Disc Harrow

Ležajna jedinica Bearing Unit



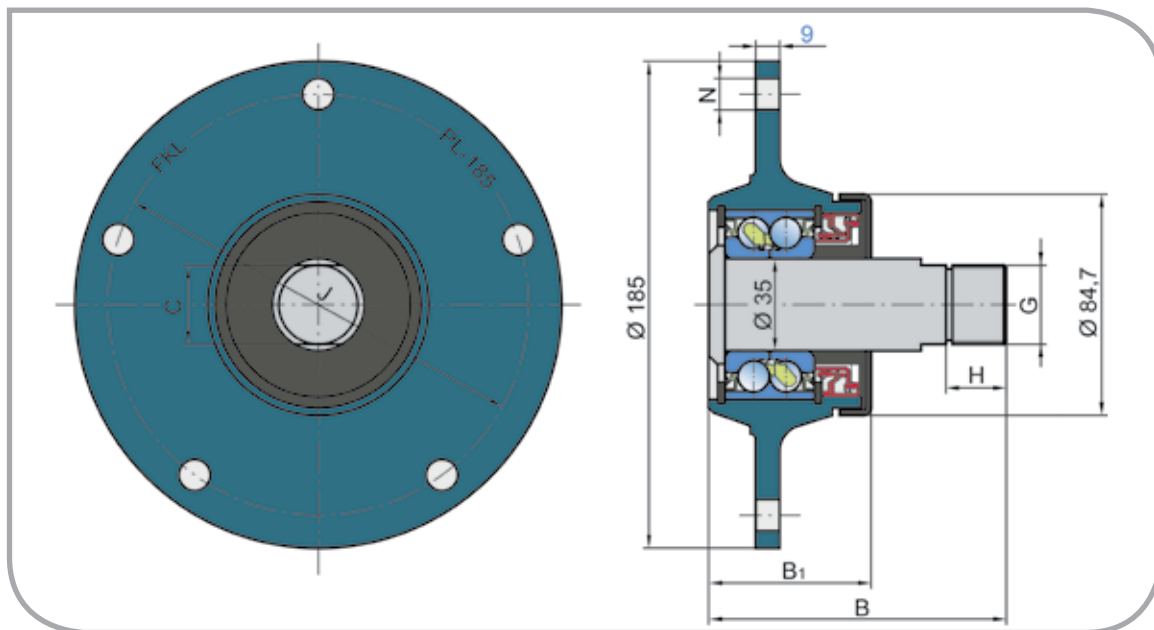
PL-185-M30-R (L)



UPOREDNE OZNAKE COMPARATIVE DESIGNATION

FKL	PL-185-M30-R (L)
LEMKEN	5554502 (5554503) 55510014 (55510015)

Ležajevi tanjirače
Disc Harrow Solutions



Osnovne mere/Dimensions (mm)

	C	J	N	B	B ₁	H	G	kg
PL-185-M30-R	30	160	12	113	61,6	23	M30x1,5	3,92
PL-185-M30-L	30	160	12	113	61,6	23	M30x1,5-L	3,92

Deo/Part	FKL oznaka/FKL designation	Usporedne oznake/Comparative designations	Proizvođač/Producer
NUT	M 30x1,5 DIN 439 ZN6.P5.CB	3030994/3030995	LEMKEN
CAP	PL-185/4	32310065/32310065	LEMKEN
WASHER	PL-185/9	3051327/3051327	LEMKEN
CASSETTE SEAL	ST16 45-70-14/17	3238301/3238301	LEMKEN

Potencijalno mesto ugradnje i primena:
Typical Applications:

Tanjirače
Disc Harrow



Dvoredni kuglični ležaj sa kosim dodirom

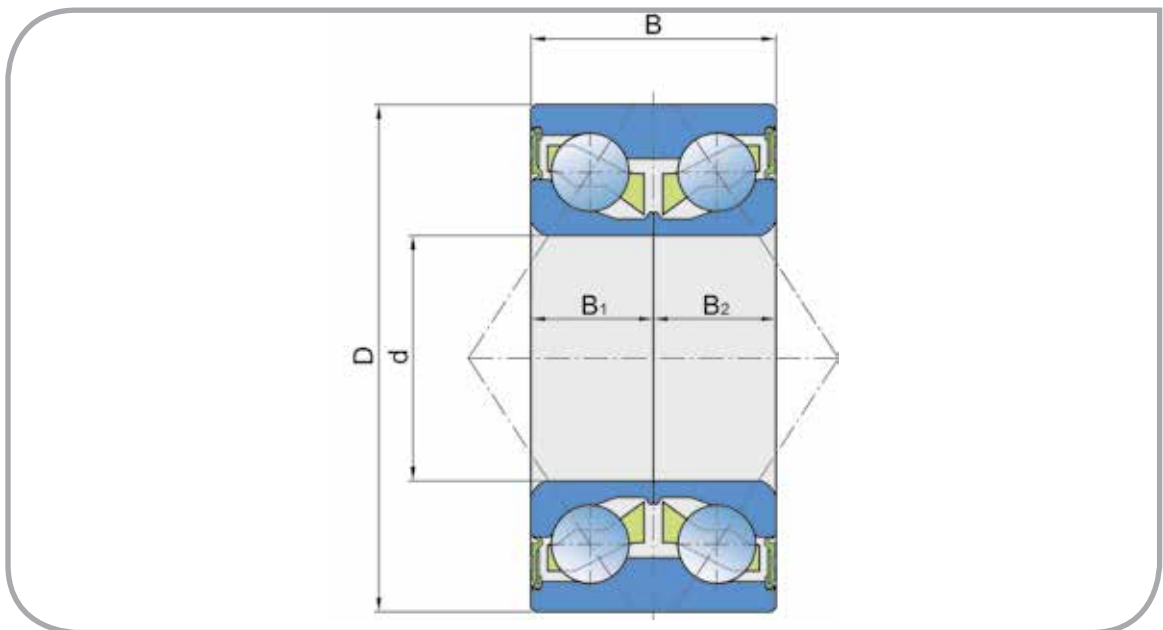
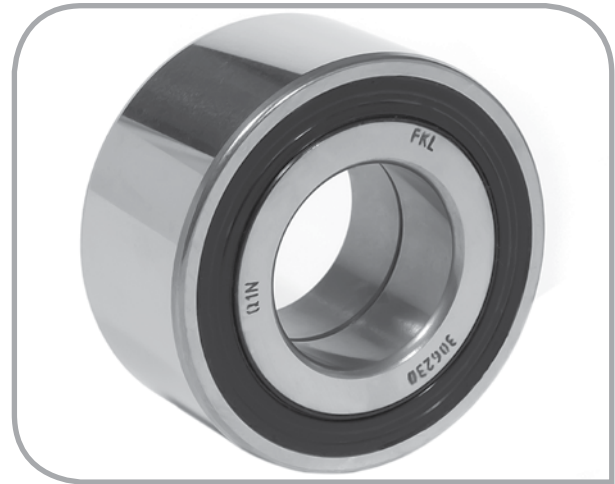
Double Row Angular Contact Ball Bearing

306230

UPOREDNE OZNAKE

COMPARATIVE DESIGNATION

FKL	306230
LEMKEN	3198760



Osnovne mere/Dimensions (mm)

d	D	B	B ₁	B ₂	kg
30	62	30	15	15	0,390

Potencijalno mesto ugradnje i primena:
 Typical Applications:

Tanjirače
 Disc Harrow

Dvoredni kuglični ležaj sa kosim dodirom

Double Row Angular Contact Ball Bearing



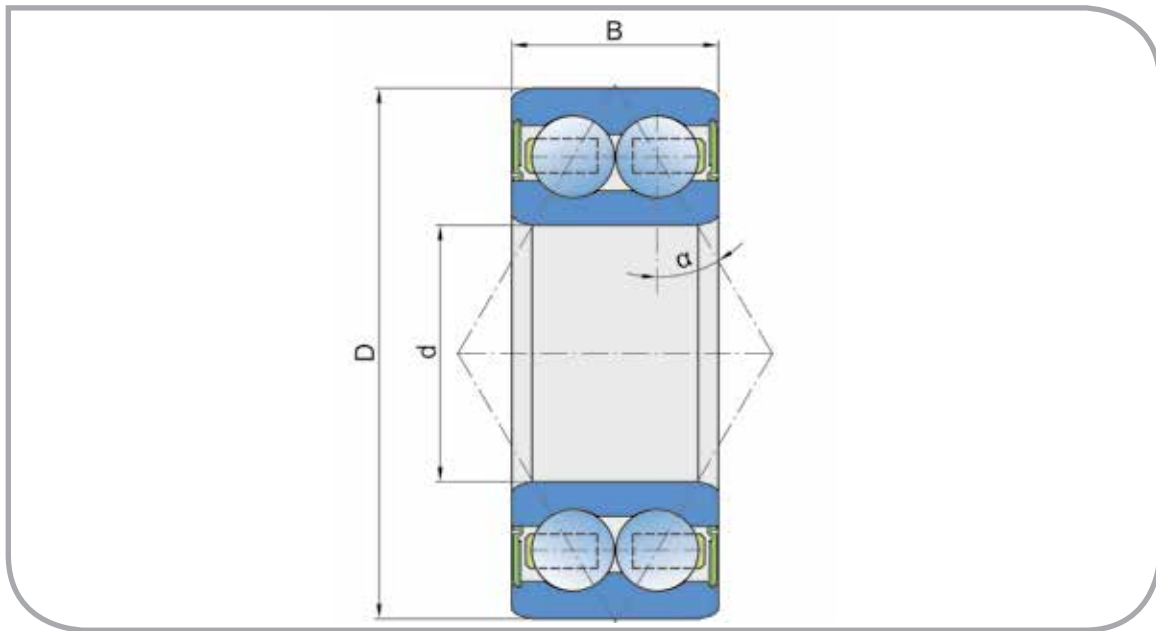
3206 B.2RS1



UPOREDNE OZNAKE

COMPARATIVE DESIGNATION

FKL	3206 B.2RS1
FAG	3206-BD-XL-2HRS-TVH
HORSCH	00240161



Osnovne mere/Dimensions (mm)

d	D	B	α	kg
30	62	23,8	30°	0,285

Potencijalno mesto ugradnje i primena:
Typical Applications:

Tanjirače
Disc Harrow

Ležajevi tanjirače
Disc Harrow Solutions



Dvoredni kuglični ležaj sa kosim dodirom

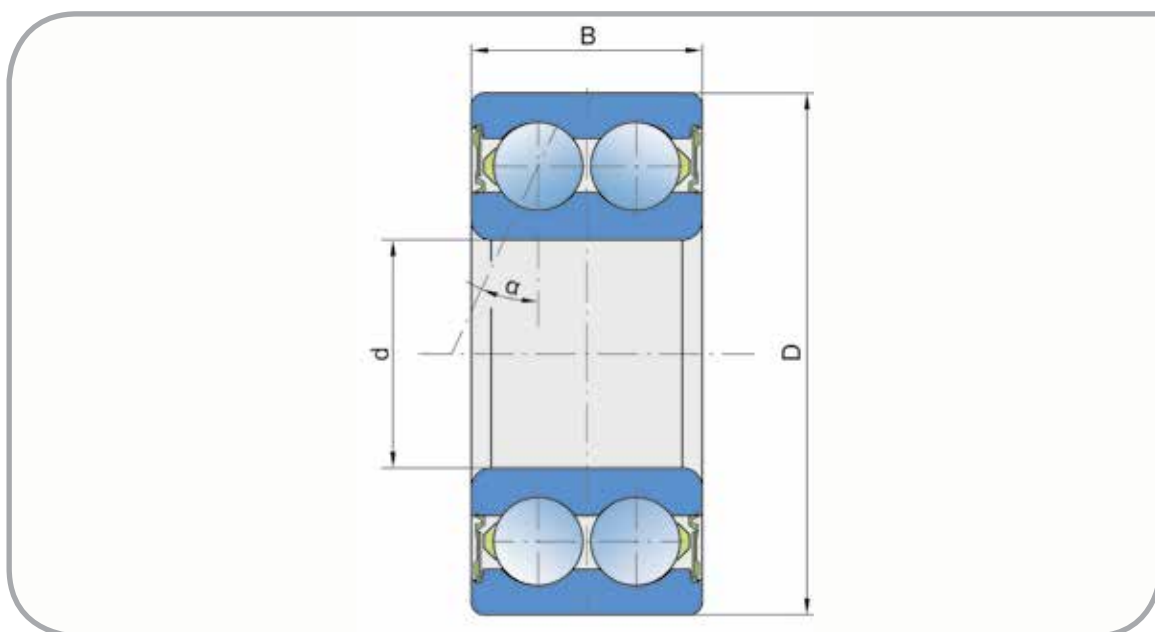
Double Row Angular Contact Ball Bearing

3307 B.2RS1

UPOREDNE OZNAKE

COMPARATIVE DESIGNATION

FKL	3307 B.2RS1
HORSCH	00240189 00240213
INA/FAG	3307-BD-XL-2HRS-TVH



Osnovne mere/Dimensions (mm)

d	D	B	α	kg
35	80	34,9	25°	0,7

Potencijalno mesto ugradnje i primena:
 Typical Applications:

Tanjirače
 Disc Harrow

Dvoredni kuglični ležaj sa kosim dodirom

Double Row Angular Contact Ball Bearing



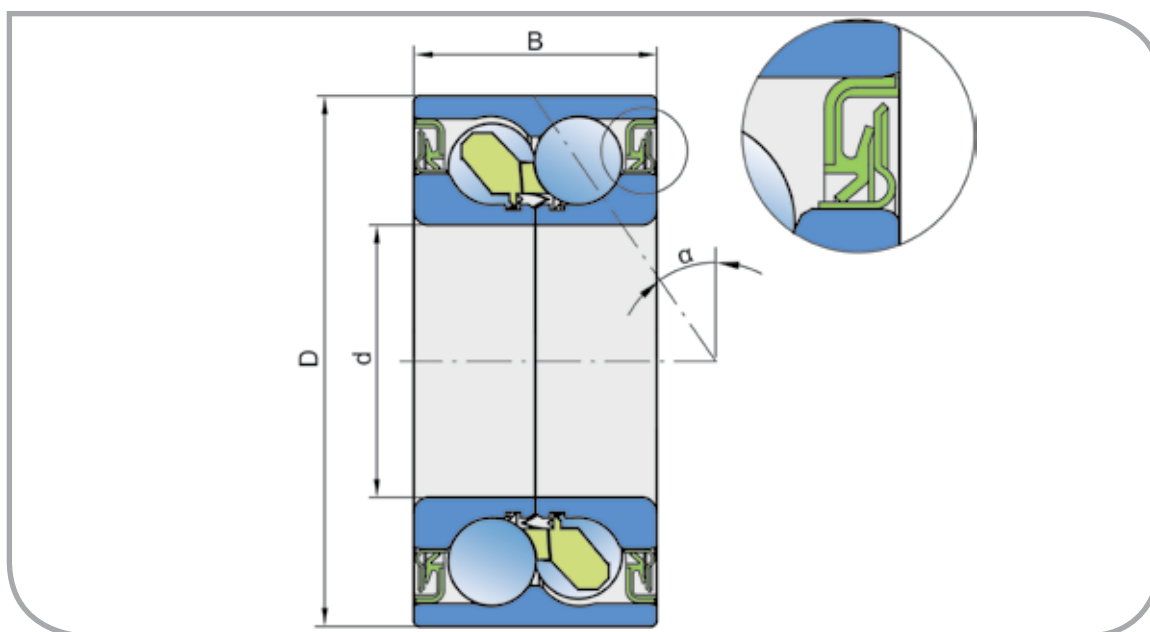
357234A



UPOREDNE OZNAKE

COMPARATIVE DESIGNATION

FKL	357234A
CLAAS	939717.0
FAG	540763
FERSA	F16201
KOYO	DAC35720034 A
LEMKEN	3198750 F214101-1
NKE	3198750
NSK	35BWD01C
SNR	GB-40582



Osnovne mere/Dimensions (mm)

d	D	B	α	kg
35	72	34	40°	0,539

Potencijalno mesto ugradnje i primena:
Typical Applications:

Tanjirače
Disc Harrow

Ležajevi tanjirače
Disc Harrow Solutions



Ležajna jedinica sa limenim kućištem

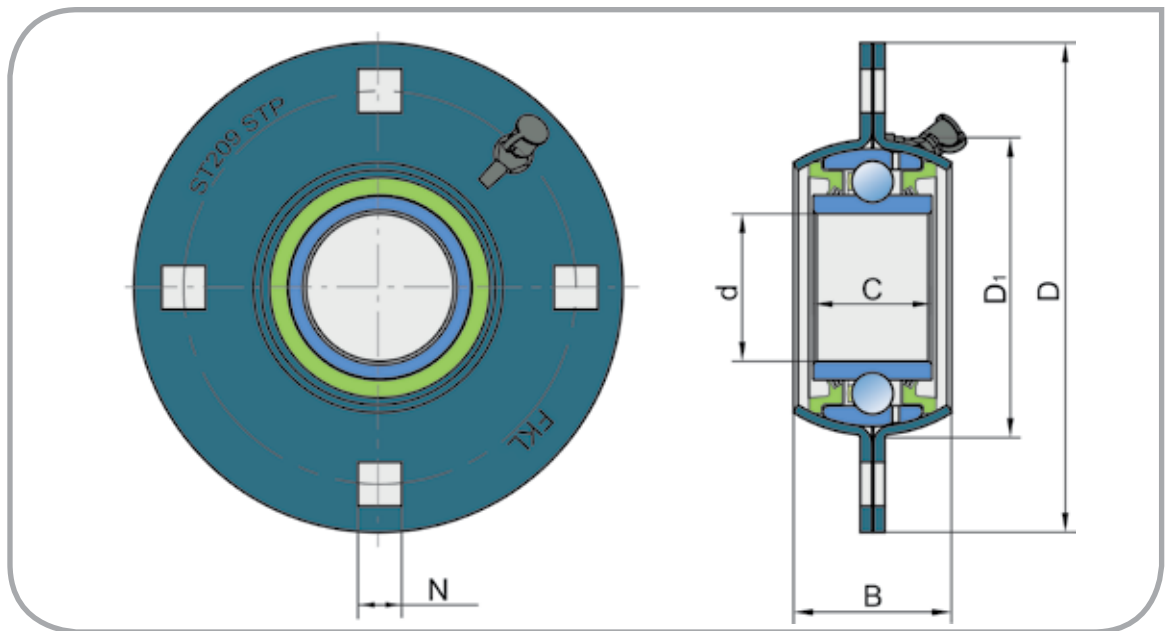
Bearing Unit with Pressed Steel Housing

GWST 209PPB13

UPOREDNE OZNAKE

COMPARATIVE DESIGNATION

FKL	GWST 209PPB13
BCA	DS209TTR13
GREAT PLAINS	822-207C
JOHN DEERE	AA28184 AA29784 AA30941 ST 209 1 3/4
KENT	FC2286



Osnovne mere/Dimensions (mm)

d	D	D ₁	B	C	N	kg
45,24	150	93	48,5	36,53	13,5	1,836

Potencijalno mesto ugradnje i primena:
 Typical Applications:

Tanjirače
 Disc Harrow

Ležajna jedinica sa limenim kućištem

Bearing Unit with Pressed Steel Housing



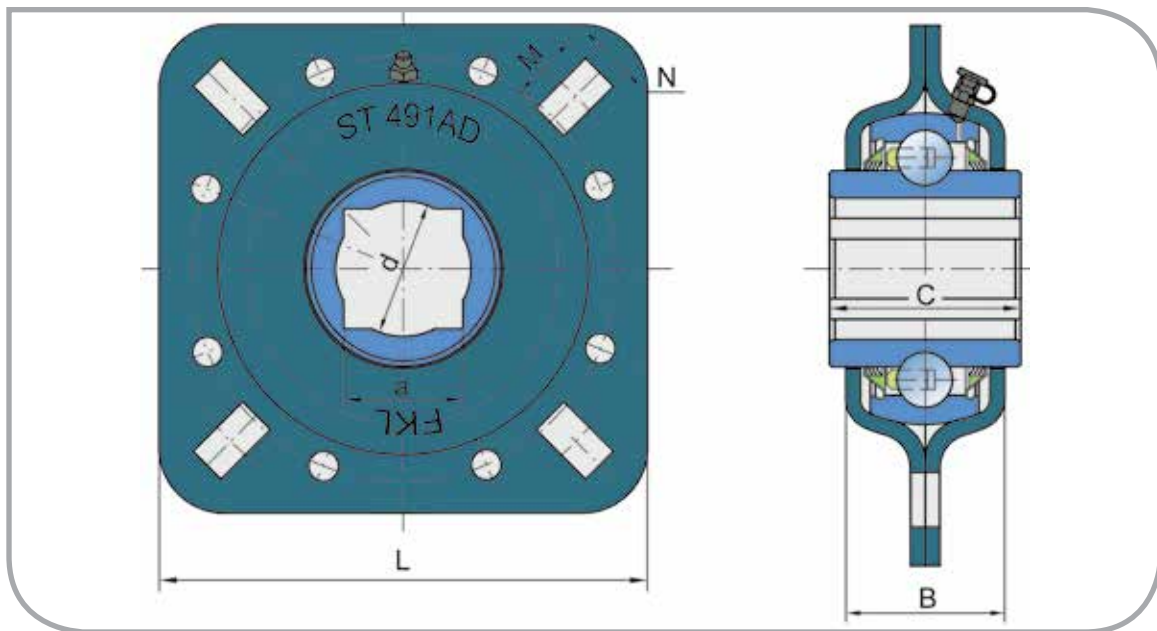
GWST 209PPB29



UPOREDNE OZNAKE

COMPARATIVE DESIGNATION

FKL	GWST 209PPB29
FAFNIR	DHU114S209
GREAT PLAINS	822-209C
KRAUSE	40-128 ST 209 1 1/4SQ
KUHN	FD209RK
NEW HOLLAND	84151226
QUINSTAR	311007



Osnovne mere/Dimensions (mm)

a	d	B	C	L	M	N	kg
32,8	35,5	39	42,85	127	17,5	13,5	1,630

Potencijalno mesto ugradnje i primena:
Typical Applications:

Tanjirače
Disc Harrow

Ležajna jedinica sa limenim kućištem

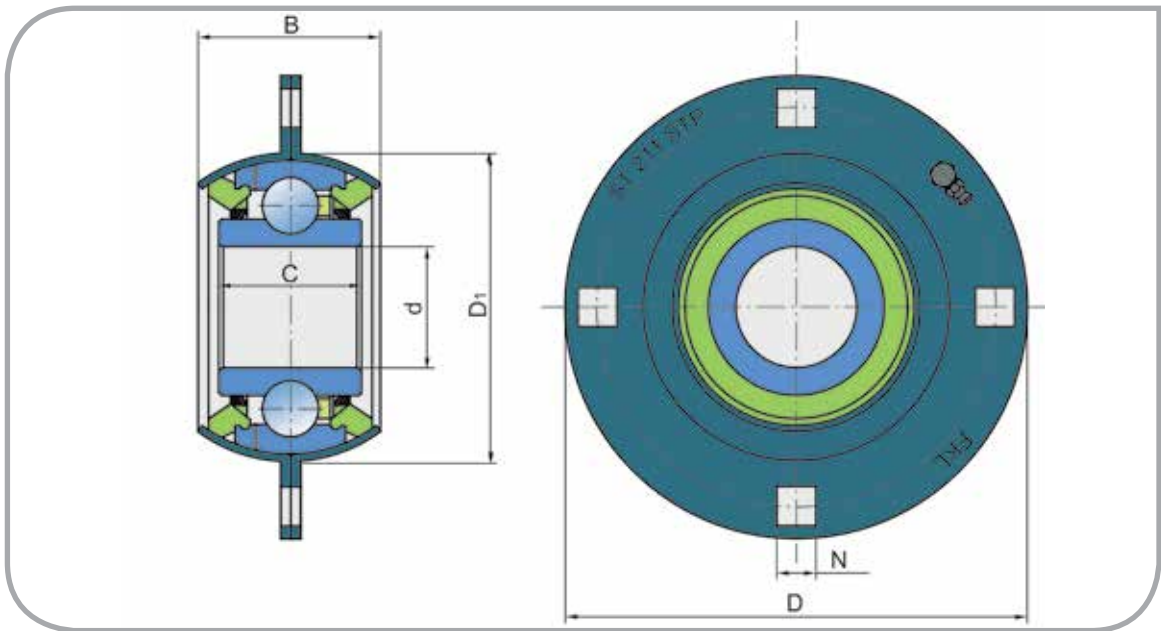
Bearing Unit with Pressed Steel Housing



GWST 211PPB20

UPOREDNE OZNAKE COMPARATIVE DESIGNATION

FKL	GWST 211PPB20
BCA	DS211TTR20
JOHN DEERE	AA27172 AA28186 AA30942 ST 211-2 3/16



Osnovne mere/Dimensions (mm)

d	D	D ₁	B	C	N	kg
55,7	167	109	56,5	39,7	13,5	2,706

Potencijalno mesto ugradnje i primena:
Typical Applications:

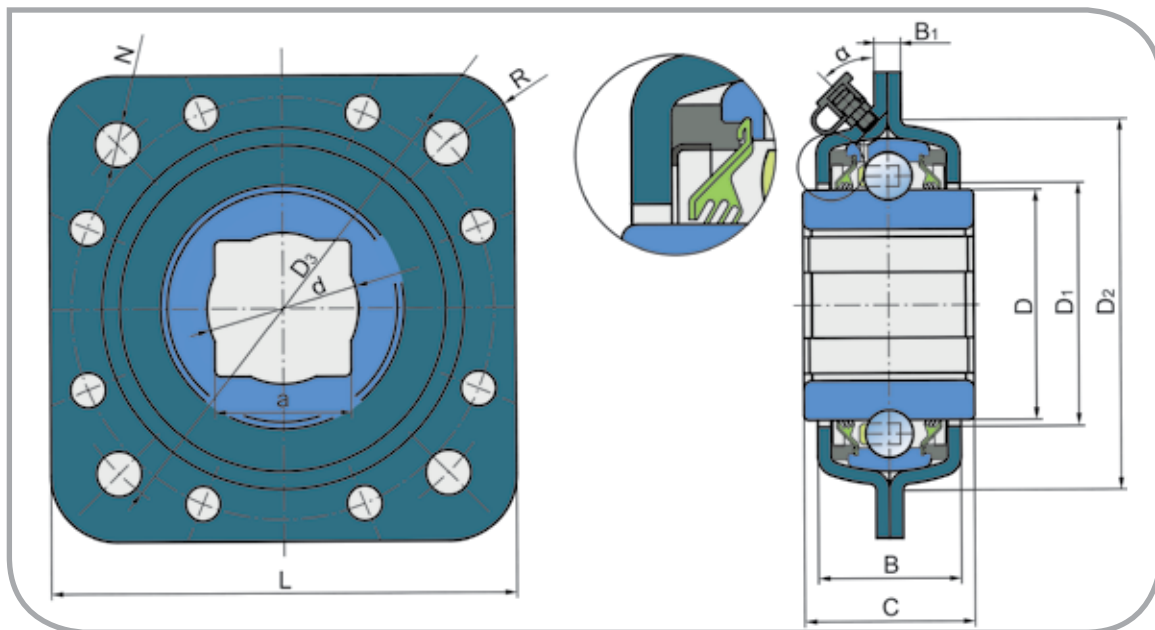
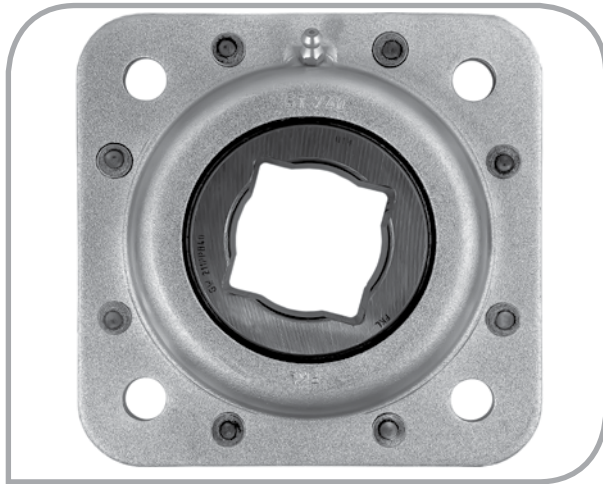
Tanjirače
Disc Harrow

Ležajna jedinica sa limenim kućištem

Bearing Unit with Pressed Steel Housing



GWST 211PPBP40.X3



Osnovne mere/Dimensions (mm)

a	d	C	B	B ₁	D	D ₁	D ₂	D ₃	L	N	R	α	kg
40,5	45,5	55,55	44,7	8	69,1	73,2	113	140	140	13,5	20	45°	2,26

Potencijalno mesto ugradnje i primena:
Typical Applications:

Tanjirače
Disc Harrow

Ležajevi tanjirače
Disc Harrow Solutions

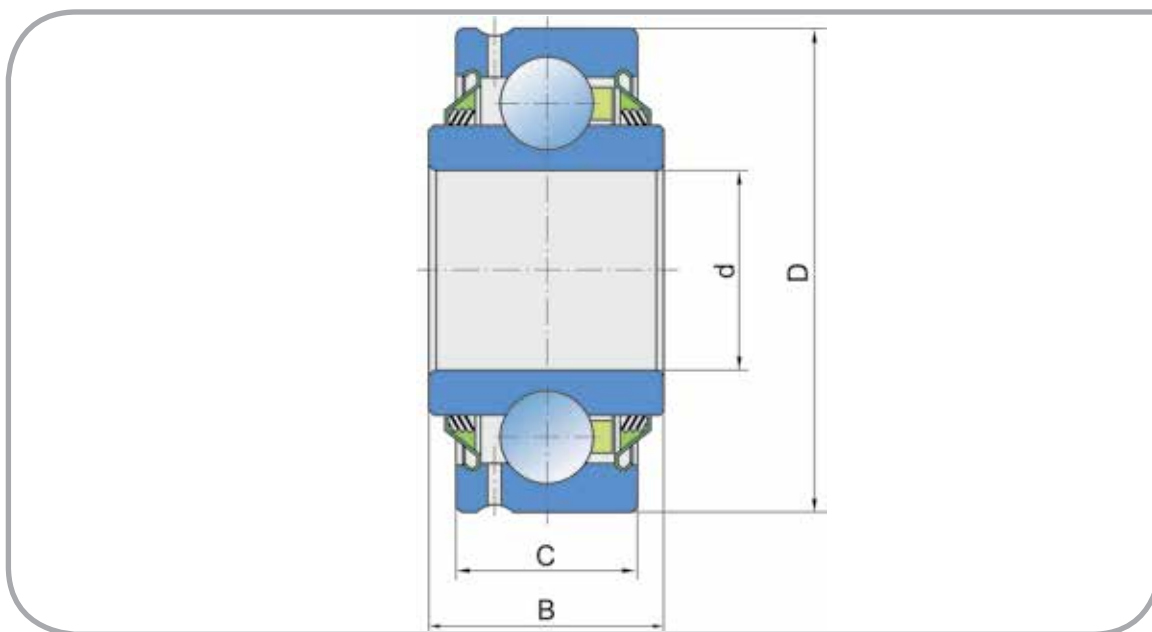


Kuglični ležaj Ball Bearing

GW 211PP25

UPOREDNE OZNAKE COMPARATIVE DESIGNATION

FKL	GW 211PP25
BCA	DC211TTR21
FAFNIR	GW 211PP37
INA	GW 211PP25
LANDOLL	140464
PEER	GW 211PP25
SUNFLOWER	SN3091



Osnovne mere/Dimensions (mm)

d	D	B	C	kg
45,212	100	44,5	33,34	1,1

Potencijalno mesto ugradnje i primena:
 Typical Applications:

Tanjirače
 Disc Harrow

Kuglični ležaj

Ball Bearing



GW 211PP202

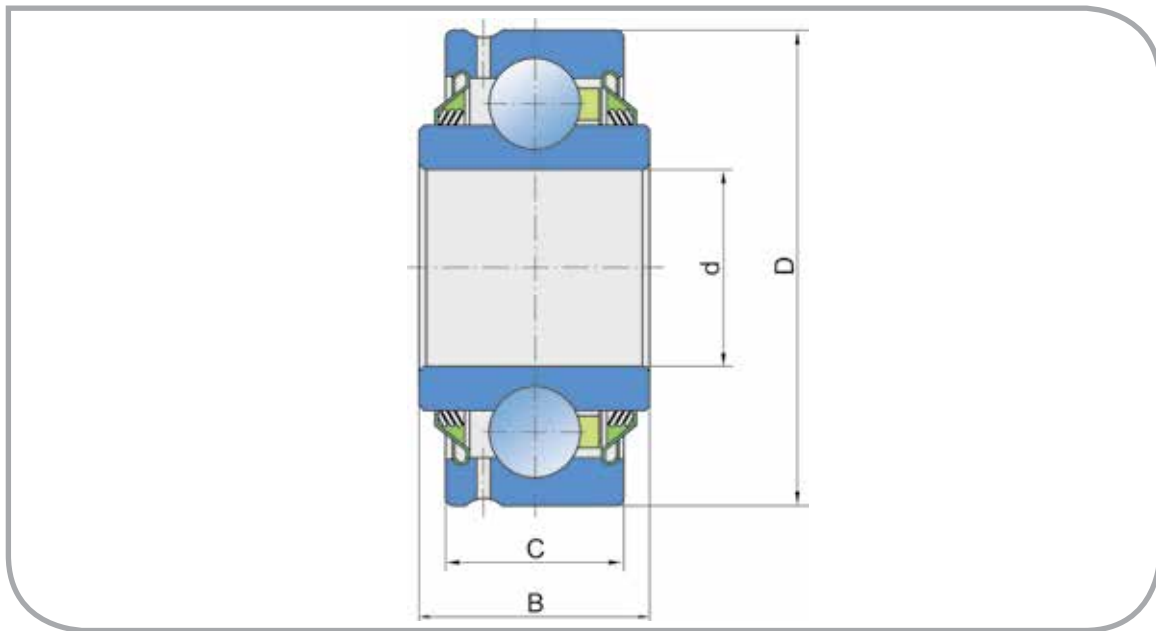


UPOREDNE OZNAKE

COMPARATIVE DESIGNATION

FKL	GW 211PP202
RBF	PN00026
SUMMERS	8K2000

Ležajevi tanjirače
Disc Harrow Solutions



Osnovne mere/Dimensions (mm)

d	D	B	C	kg
51,308	100	60,3	33,34	1,11

Potencijalno mesto ugradnje i primena:
Typical Applications:

Tanjirače
Disc Harrow



Gumirana ležajna jedinica

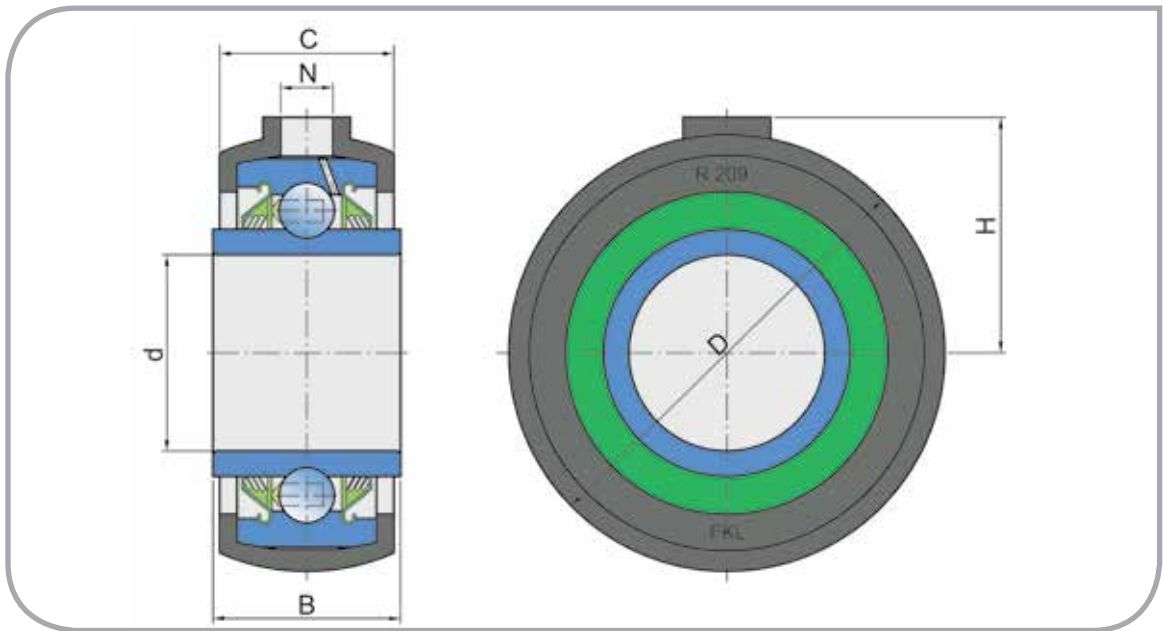
Rubberized Bearing Unit

GWR 209PPB30

UPOREDNE OZNAKE

COMPARATIVE DESIGNATION

FKL	GWR 209PPB30
KABAT	1927-11-0
KRAUSE	40-167
PEER	GW209PPB23+BR209RH



Osnovne mere/Dimensions (mm)

d	D	B	H	C	N	kg
44,958	101	42,86	54	40	12,7	0,92

Potencijalno mesto ugradnje i primena:
 Typical Applications:

Tanjirače
 Disc Harrow

Gumirana ležajna jedinica

Rubberized Bearing Unit



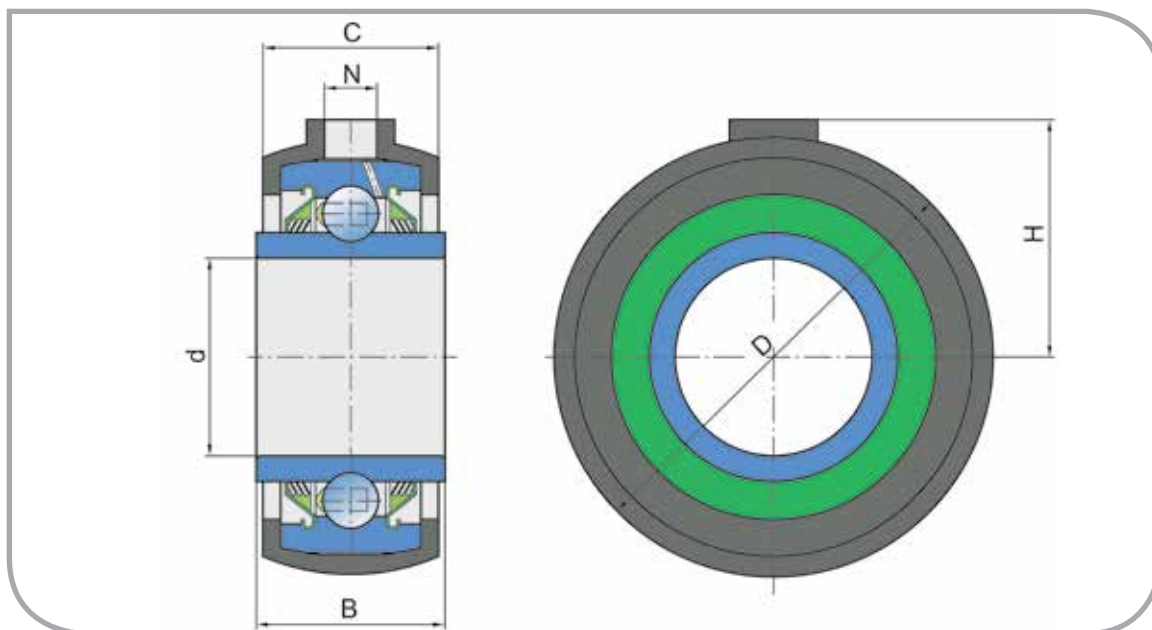
GWR 211PPB21



UPOREDNE OZNAKE

COMPARATIVE DESIGNATION

FKL	GWR 211PPB21
GREAT PLAINS	822-026
KRAUSE	2410-11-0 CDS211TTR23
NTN	CDS211TTR23
PEER	GW211PPB21+BR211RH



Osnovne mere/Dimensions (mm)

d	D	B	H	C	N	kg
45,212	113	53,975	60,5	44,7	12,7	1,620

Potencijalno mesto ugradnje i primena:
Typical Applications:

Tanjirače
Disc Harrow

Ležajevi tanjirače
Disc Harrow Solutions

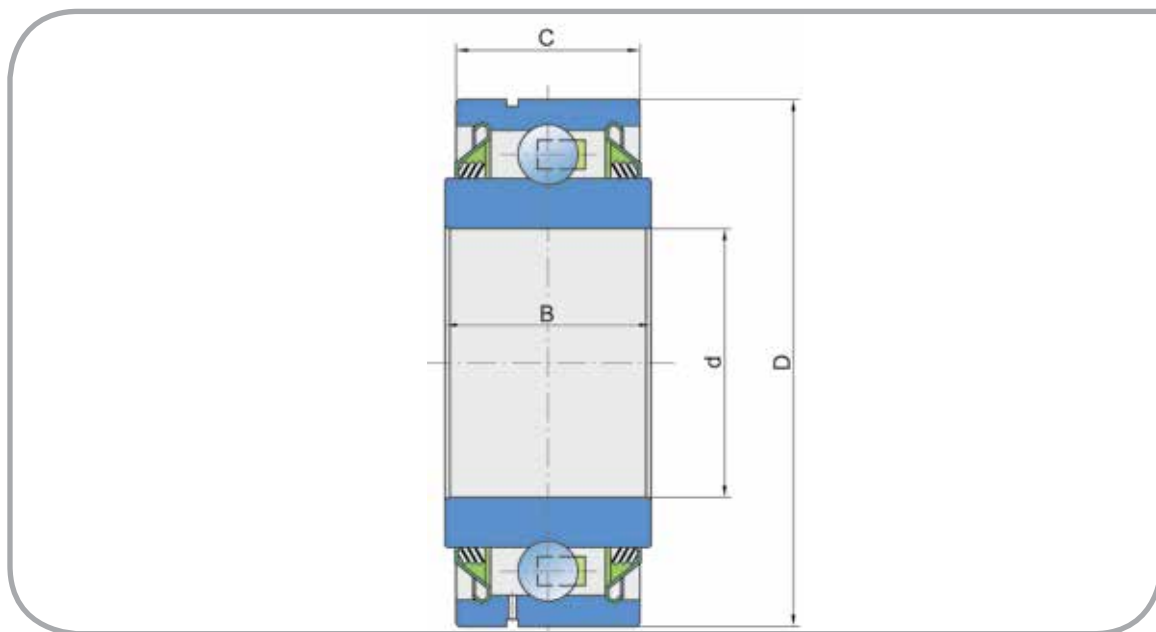


Kuglični ležaj Ball Bearing

SBX 1227

UPOREDNE OZNAKE COMPARATIVE DESIGNATION

FKL	SBX 1227
BCA	DS212TTRBN
CASE	409556A1
FAFNIR	GW212PPRBN
NTN	SBX1227LLSQ1



Osnovne mere/Dimensions (mm)

d	D	B	C	kg
55,562	110	55,562	38,3	1,8

Potencijalno mesto ugradnje i primena:
 Typical Applications:

Tanjirače
 Disc Harrow

Podešljiva ležajna jedinica

Trunnion Bearing Unit



GWHG 211PP25

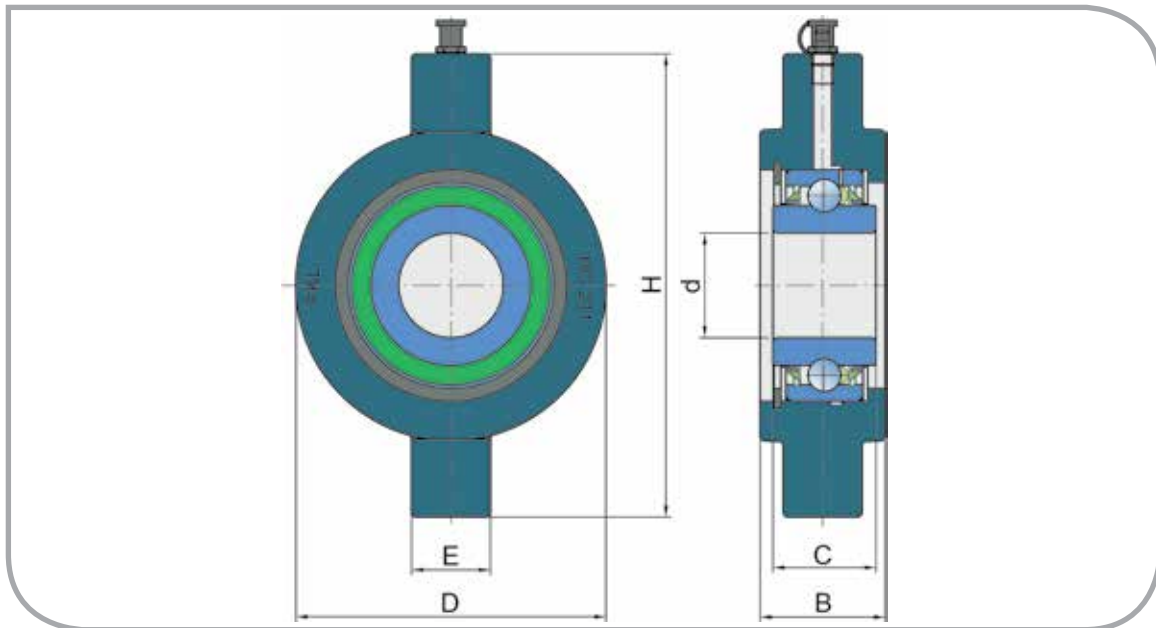


UPOREDNE OZNAKE

COMPARATIVE DESIGNATION

FKL	GWHG 211PP25
LANDOLL	140477
SUNFLOWER	SN3090

Ležajevi tanjirače
Disc Harrow Solutions



Osnovne mere/Dimensions (mm)

d	B	H	D	E	C	kg
45,212	54	200	134	34	44,5	4,88

Potencijalno mesto ugradnje i primena:
Typical Applications:

Tanjirače
Disc Harrow

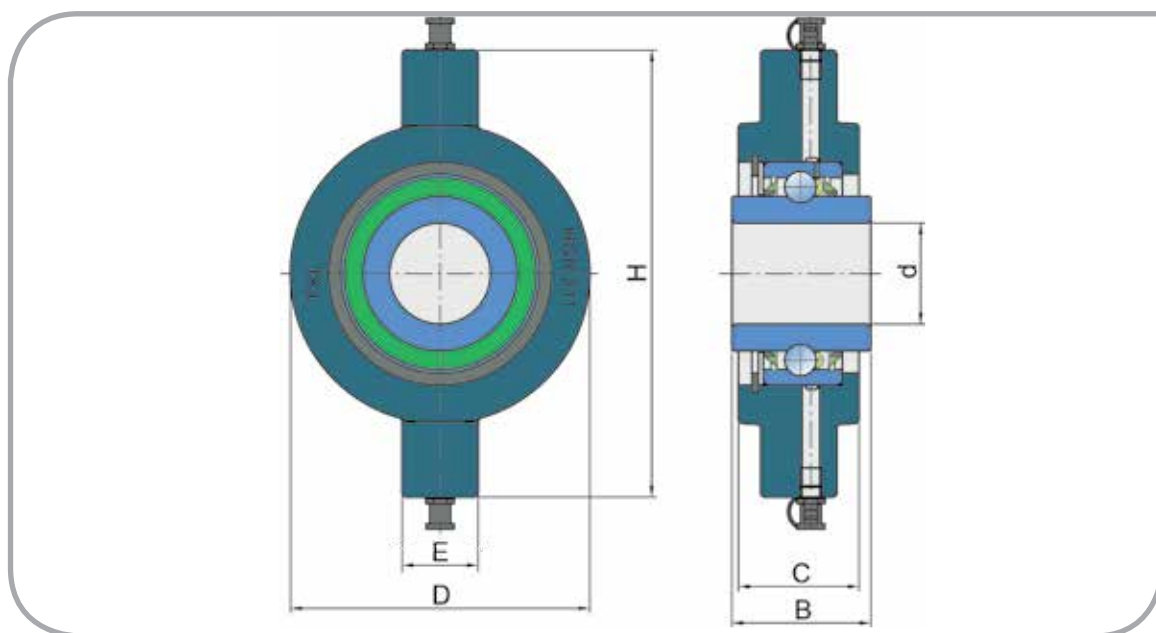


Podešljiva ležajna jedinica Trunnion Bearing Unit

GWHGR 211PP202

UPOREDNE OZNAKE COMPARATIVE DESIGNATION

FKL	GWHGR 211PP202
SUMMERS	8K2050



Osnovne mere/Dimensions (mm)

d	B	H	D	E	C	kg
51,308	60,3	202,5	129,5	37	57	4,8

Potencijalno mesto ugradnje i primena:
Typical Applications:

Tanjirače
Disc Harrow

Dvoredni kuglični ležaj sa osovnicom

Double Row Ball Bearing with Shaft

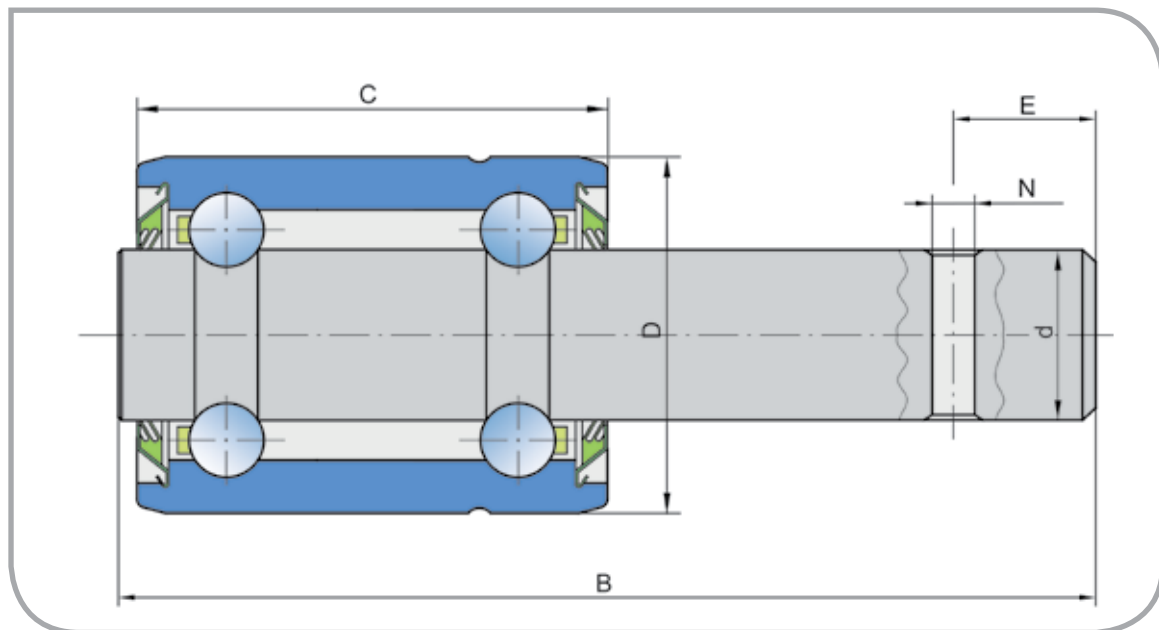


VP-16/40/74,5



UPOREDNE OZNAKE COMPARATIVE DESIGNATION

FKL	VP-16/40/74,5
GASPARDO	F04100040
KUHN	N00861A0
RBF	PN00035



Osnovne mere/Dimensions (mm)

d	D	B	C	N	E	kg
15,918	40	74,5	38,9	6,5	12,95	0,352

Potencijalno mesto ugradnje i primena:
Typical Applications:

Sejačice
Seeding Machine

Ležajevi sejačice
Seeding Machine Solutions

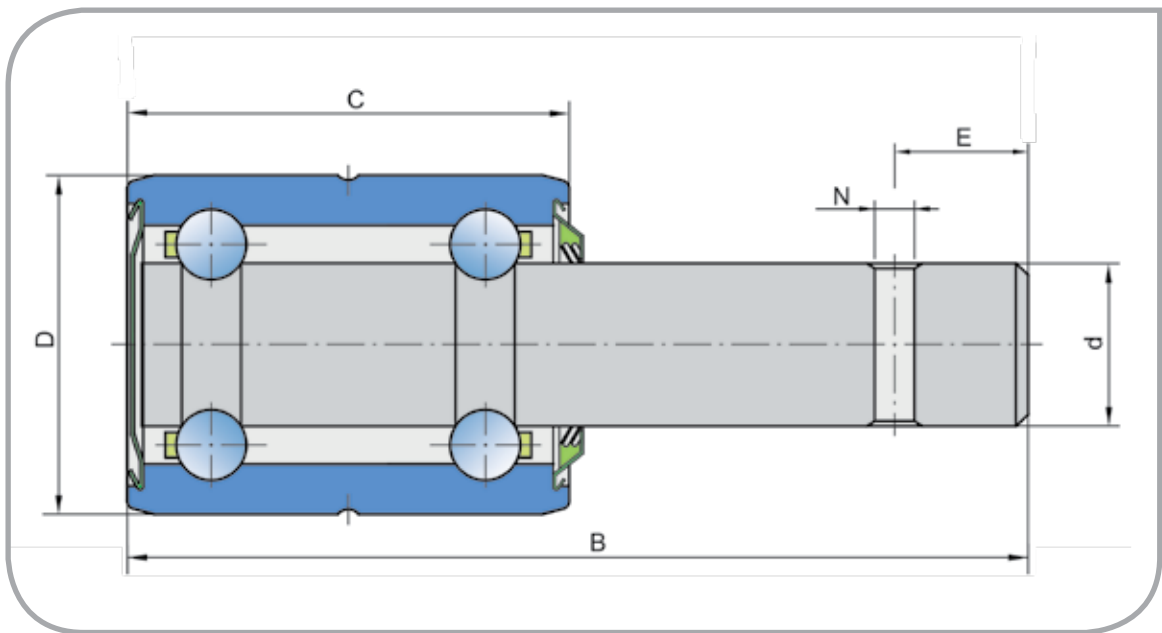
Dvoredni kuglični ležaj sa osovnicom

Double Row Ball Bearing with Shaft

885152

UPOREDNE OZNAKE COMPARATIVE DESIGNATION

FKL	885152
CASE	128558C91 IH ST 022-096
GASPARDO	F04100041R
JOHN DEERE	AA21015 AA35741
KINZE	GA2022
TORO	751290 AC70593891



Osnovne mere/Dimensions (mm)

d	D	B	C	N	E	kg
15,918	30	69,3	38,9	6,5	11,2	0,178

Potencijalno mesto ugradnje i primena:
Typical Applications:

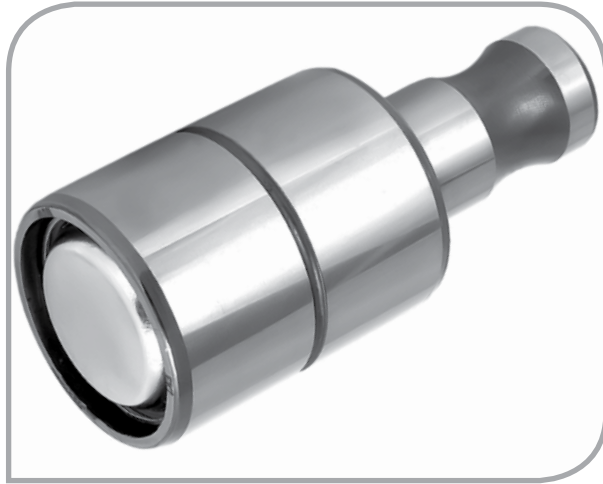
Sejačice
Seeding Machine

Dvoredni kuglični ležaj sa osovnicom

Double Row Ball Bearing with Shaft



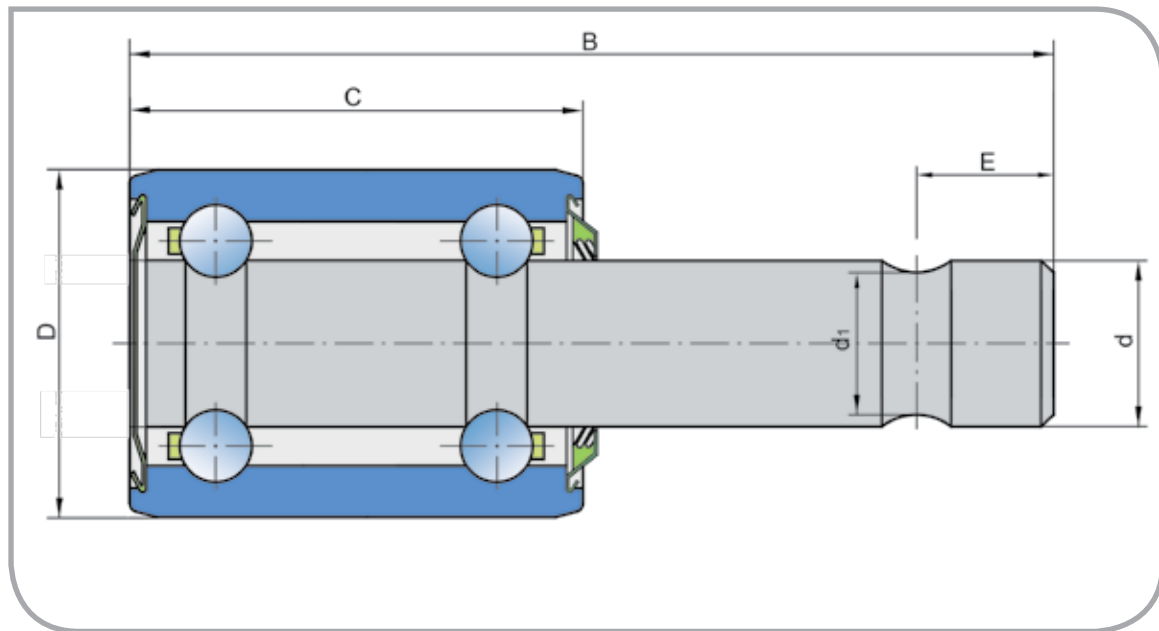
885154B



UPOREDNE OZNAKE

COMPARATIVE DESIGNATION

FKL	885154B
BCA	885154B
GREAT PLAINS	822-023C
HORSCH	00310131
JOHN DEERE	AA49161 AN131668
KOYO	IB069305
MASSEY FERGUSON	446612MI
NOBLE	369851
TIMKEN	885154B



Osnovne mere/Dimensions (mm)

d	d ₁	D	B	C	E	kg
15,918	13,4	30	69,3	38,9	11,2	0,182

Potencijalno mesto ugradnje i primena:
Typical Applications:

Sejačice
Seeding Machine

Ležajevi sejačice
Seeding Machine Solutions

Dvoredni kuglični ležaj sa kosim dodirom

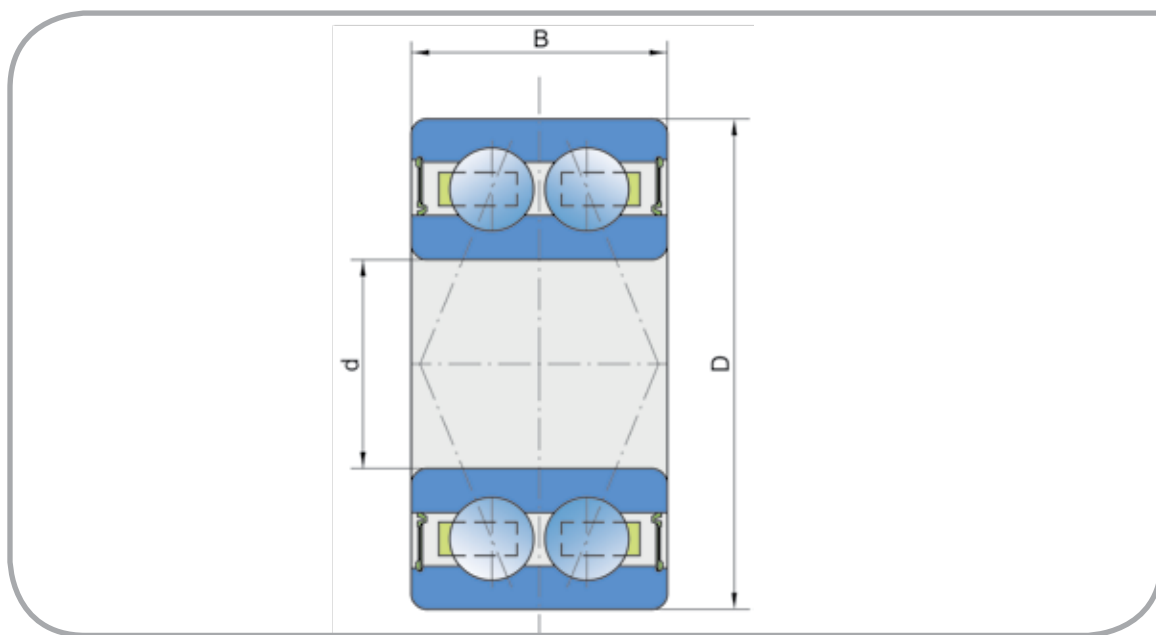
Double Row Angular Contact Ball Bearing



3204 B.2RS1

UPOREDNE OZNAKE COMPARATIVE DESIGNATION

FKL	3204 B.2RS1
INA	3204-BD-XL-2HRS-TVH
MONOSEM	7014A



Osnovne mere/Dimensions (mm)

d	D	B	kg
20	47	20,6	0,16

Potencijalno mesto ugradnje i primena:
Typical Applications:

Sejačice
Seeding Machine

Dvoredni kuglični ležaj sa kosim dodirom

Double Row Angular Contact Ball Bearing



3204 T

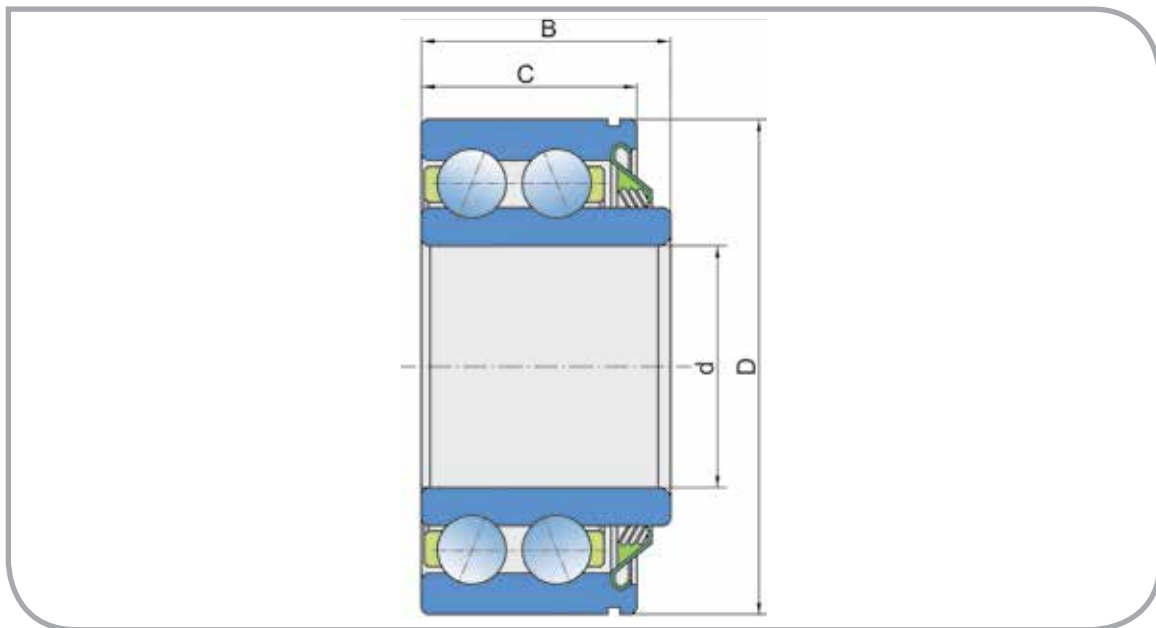


UPOREDNE OZNAKE

COMPARATIVE DESIGNATION

FKL	3204 T
SEMEATO Brazil	F-110390

Ležajevi sejačice
Seeding Machine Solutions



Osnovne mere/Dimensions (mm)

d	D	B	C	kg
20	47	25,2	22	0,185

Potencijalno mesto ugradnje i primena:
Typical Applications:

Sejačice
Seeding Machine



Dvoredni kuglični ležaj sa kosim dodirom

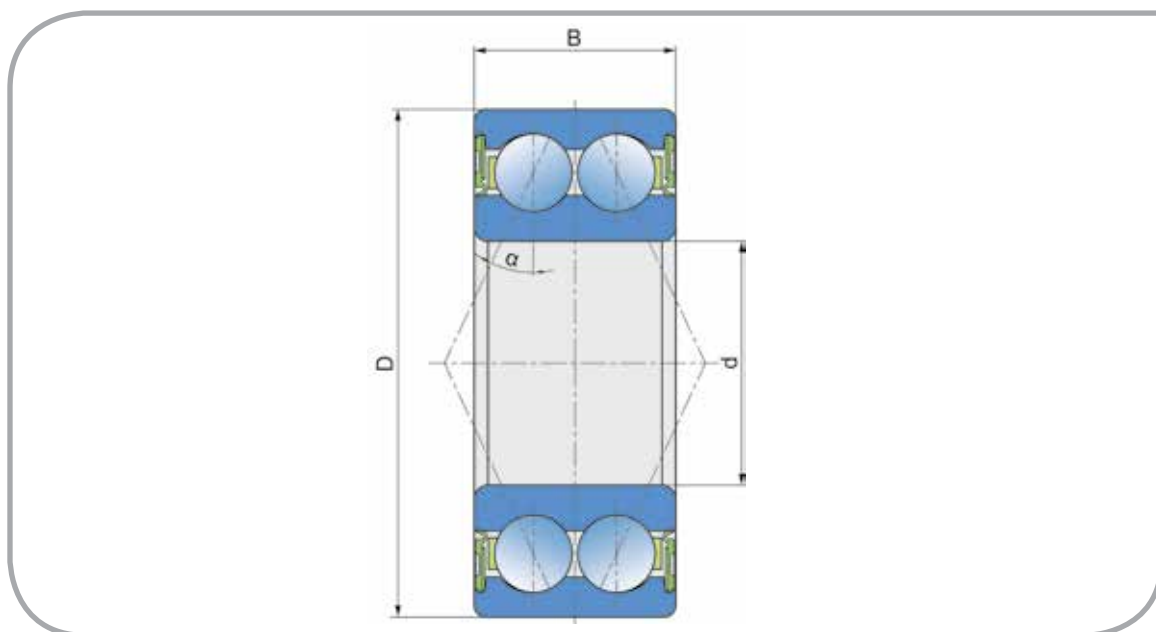
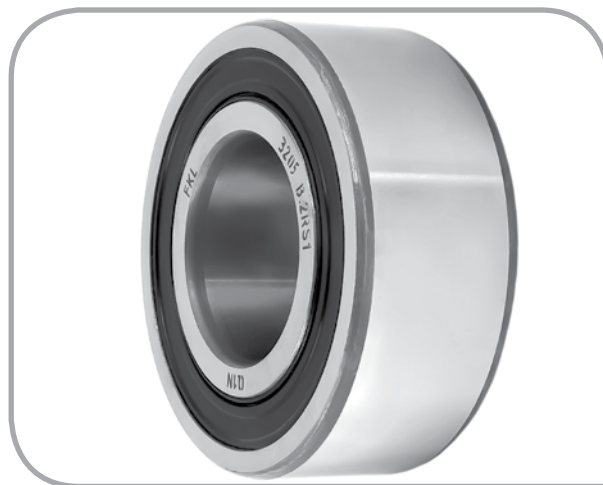
Double Row Angular Contact Ball Bearing

3205 B.2RS1

UPOREDNE OZNAKE

COMPARATIVE DESIGNATION

FKL	3205 B.2RS1
INA	3205-BD-XL-2HRS-TVH
LEMKEN	3198708



Osnovne mere/Dimensions (mm)

d	D	B	α	kg
25	52	20,6	25°	0,18

Potencijalno mesto ugradnje i primena:
 Typical Applications:

Sejačice
 Seeding Machine

Dvoredni kuglični ležaj sa kosim dodirom

Double Row Angular Contact Ball Bearing



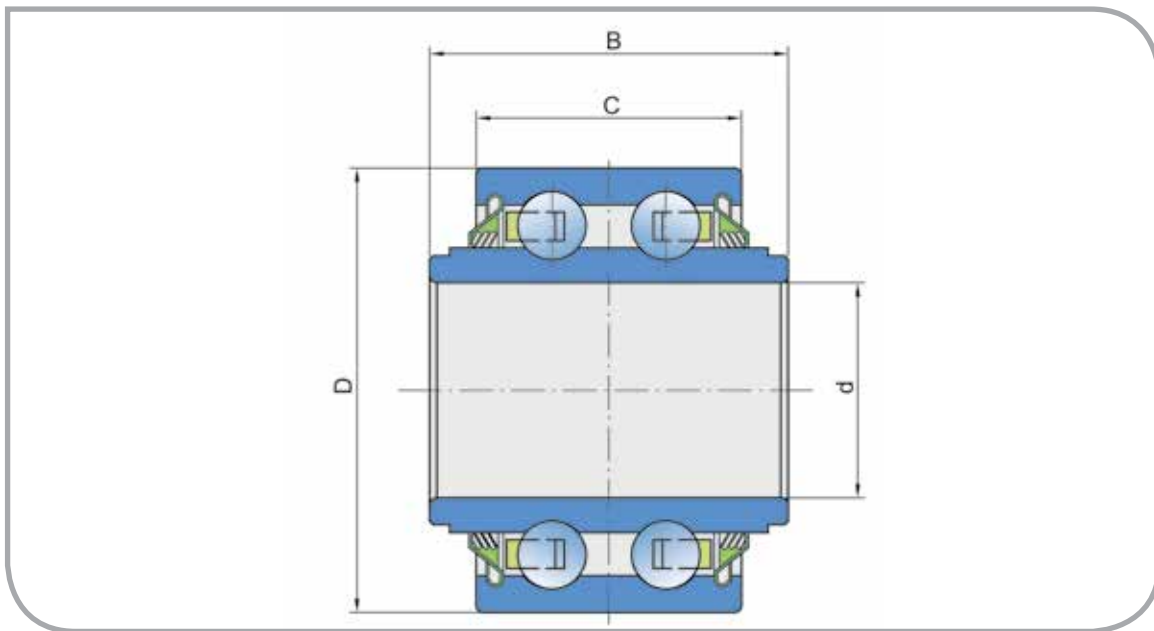
5206 KPP3



UPOREDNE OZNAKE

COMPARATIVE DESIGNATION

FKL	5206 KPP3
FAFNIR	5206KPP3
GREAT PLAINS	822-215C
KINZE	GA8603
	GA8641
PEER	5206KPP3



Osnovne mere/Dimensions (mm)

d	D	B	C	kg
30,150	62	50	37	0,500

Potencijalno mesto ugradnje i primena:
Typical Applications:

Sejačice
Seeding Machine

Ležajevi sejačice
Seeding Machine Solutions

Dvoredni kuglični ležaj sa kosim dodirom

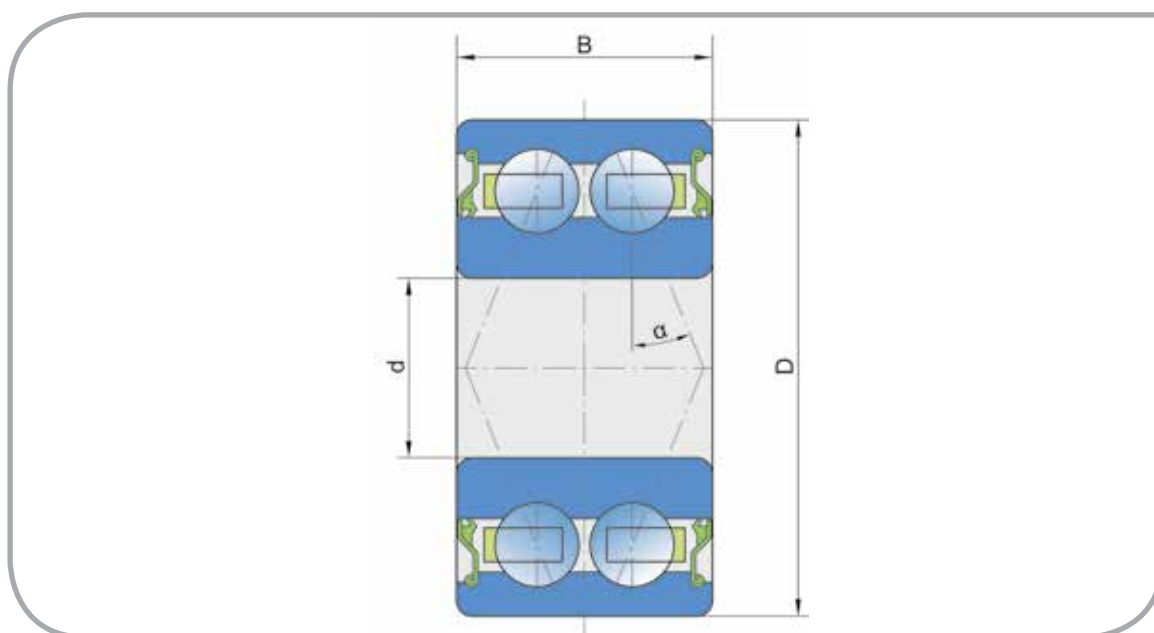
Double Row Angular Contact Ball Bearing

SL 3303 2S

UPOREDNE OZNAKE

COMPARATIVE DESIGNATION

FKL SL 3303 2S

TEHNIKA-SERVICE, 3303 LLU-1
Russia

Osnovne mere/Dimensions (mm)

d	D	B	α	kg
17	47	24,2	25°	0,20

Potencijalno mesto ugradnje i primena:
Typical Applications:

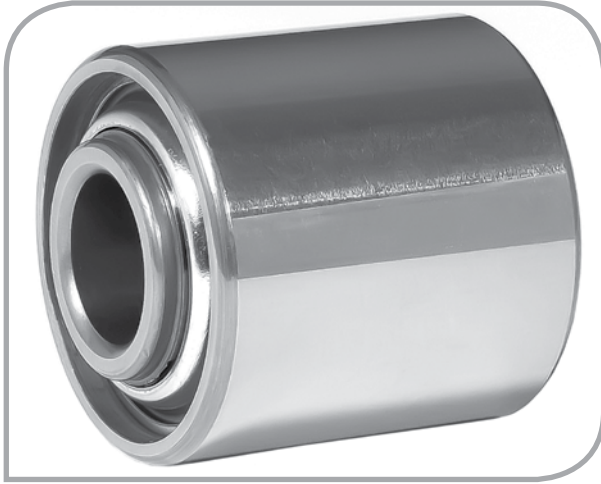
Sejačice
Seeding Machine

Dvoredni kuglični ležaj sa kosim dodirom

Double Row Angular Contact Ball Bearing



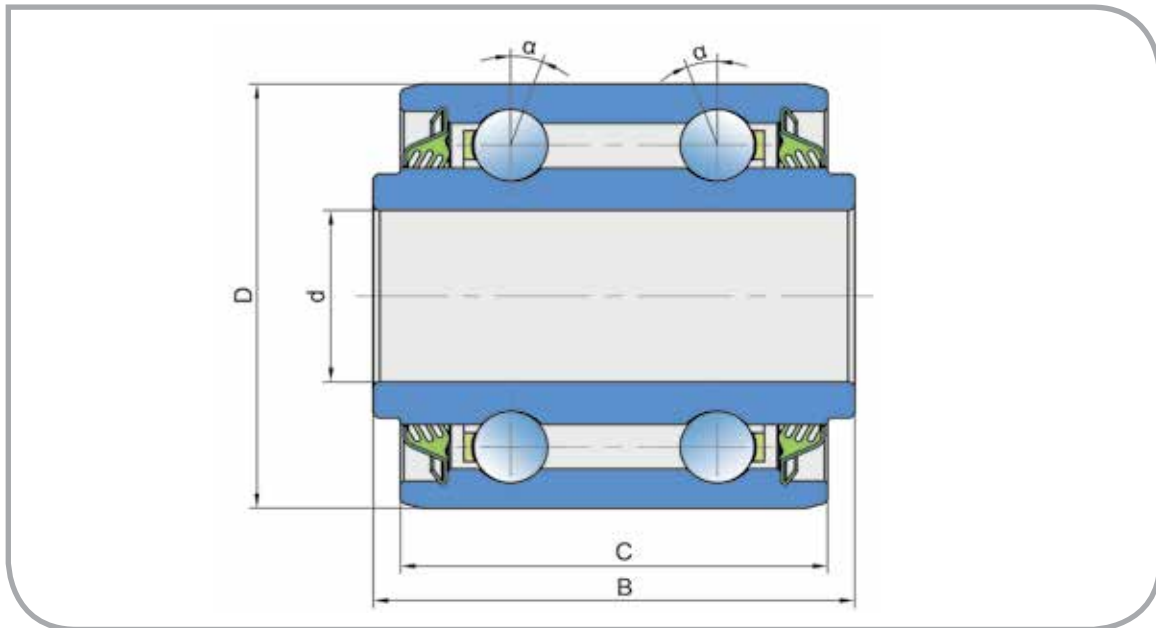
SL 5203 2T



UPOREDNE OZNAKE

COMPARATIVE DESIGNATION

FKL	SL 5203 2T
BCA	5203VVAN
CASE	324461A1
GREAT PLAINS	822-170C
JOHN DEERE	AN212132
KINZE	GA6171
KOYO	DAC164044-2RS
KUHN	81101640
MONOSEM	7140A
TIMKEN	5203KYY2
WHITE	854003



Osnovne mere/Dimensions (mm)

d	D	B	C	α	kg
16,195	40	43,88	38,93	25°	0,218

Potencijalno mesto ugradnje i primena:
Typical Applications:

Sejačice
Seeding Machine

Ležajevi sejačice
Seeding Machine Solutions

Dvoredni kuglični ležaj sa kosim dodirom

Double Row Angular Contact Ball Bearing

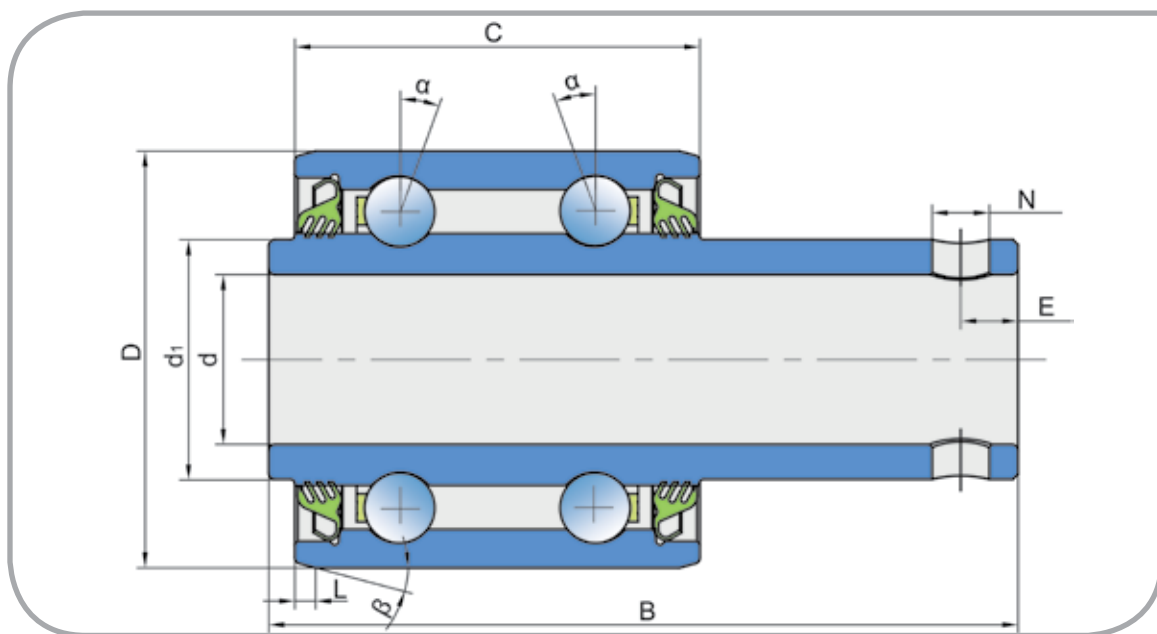
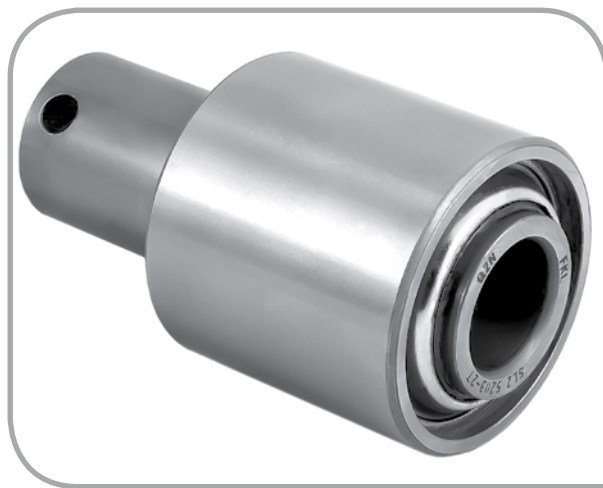


SL2 5203-2T

UPOREDNE OZNAKE COMPARATIVE DESIGNATION

FKL SL2 5203-2T

GASPARDO F04100149



Osnovne mere/Dimensions (mm)

d	d ₁	D	B	C	N	E	L	α	β	kg
16,3	23	40	72	38,93	5,5	5,5	2	20°	15°	0,267

Potencijalno mesto ugradnje i primena:
Typical Applications:

Sejačice
Seeding Machine

Dvoredni kuglični ležaj sa osovnicom

Double Row Ball Bearing with Shaft



VP-M20x1.5/40/72-R (L)



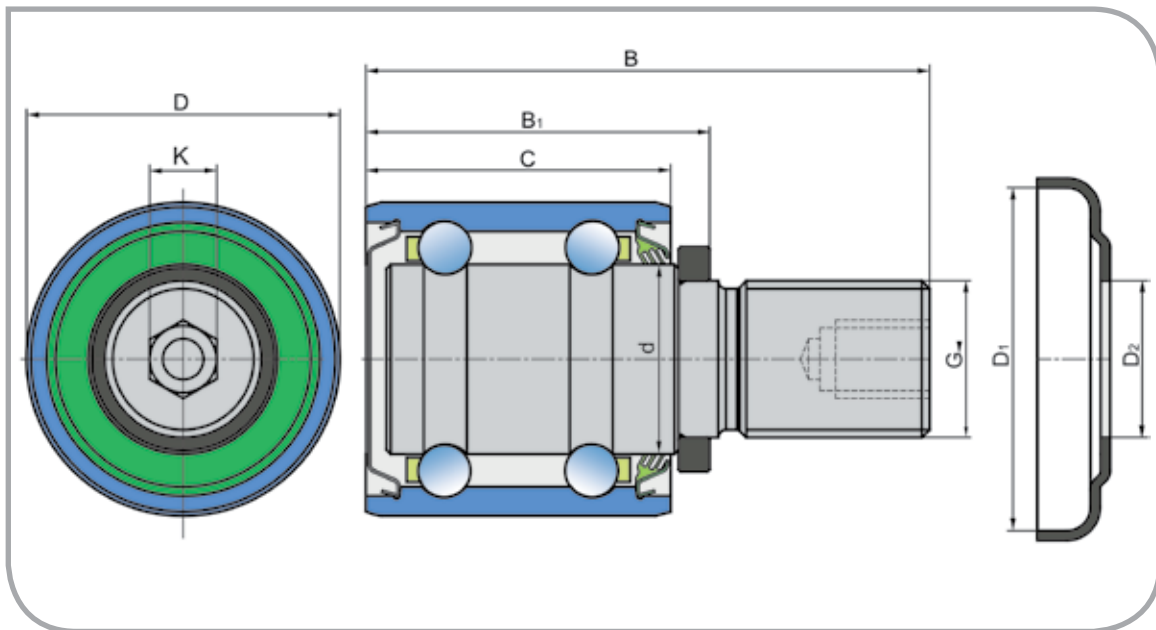
UPOREDNE OZNAKE

COMPARATIVE DESIGNATION

FKL VP-M20x1.5/40/72-R (L)

TECHNIKA-SERVICE, Russia VP-M20x1.5/40/72-R (L)

Ležajevi sejačice
Seeding Machine Solutions



Osnovne mere/Dimensions (mm)

d	D	D ₁	D ₂	B	B ₁	C	G	K	kg
24,2	40	43,8	20,5	72	44	38,93	M20x1.5	10	0,44

Potencijalno mesto ugradnje i primena:
Typical Applications:

Sejačice
Seeding Machine

Kuglični ležaj sa dodirom u četiri tačke

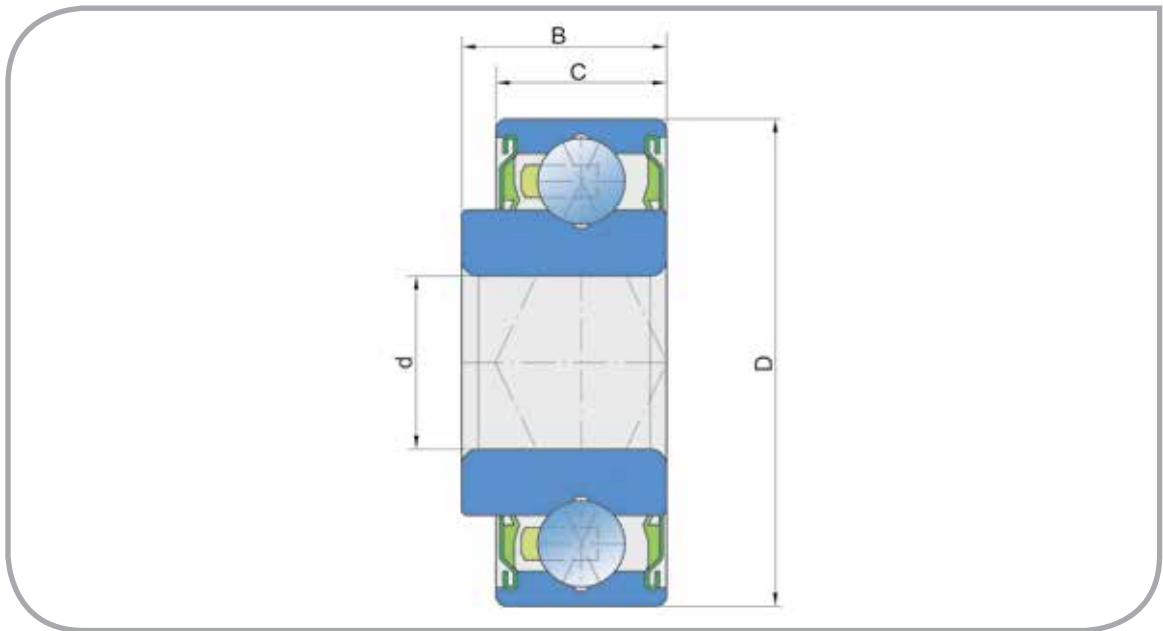
Four Point Contact Ball Bearing



06C04-2Z

UPOREDNE OZNAKE COMPARATIVE DESIGNATION

FKL	06C04-2Z
CASE	1268017C91; 145161C91 492757R91; 493532R91
FAFNIR	204RY2
FITS TYPE	550-302
GREAT PLAINS	820-003C; 822-011C
HORSCH	00240199; 00509465
JOHN DEERE	AA21480
KINZE	GA2014
KRAUSE	40-138
NSK	F556129
PEER	204JY3
SMA	851-SMA204RY2
SNR	204AGR
USA NUMBER	204PY3
ZKL	00310104



Osnovne mere/Dimensions (mm)

d	D	B	C	kg
16	45,2	18,67	15,4	0,23

Potencijalno mesto ugradnje i primena:
Typical Applications:

Sejačice
Seeding Machine

Kuglični ležaj sa dodirom u četiri tačke

Four Point Contact Ball Bearing



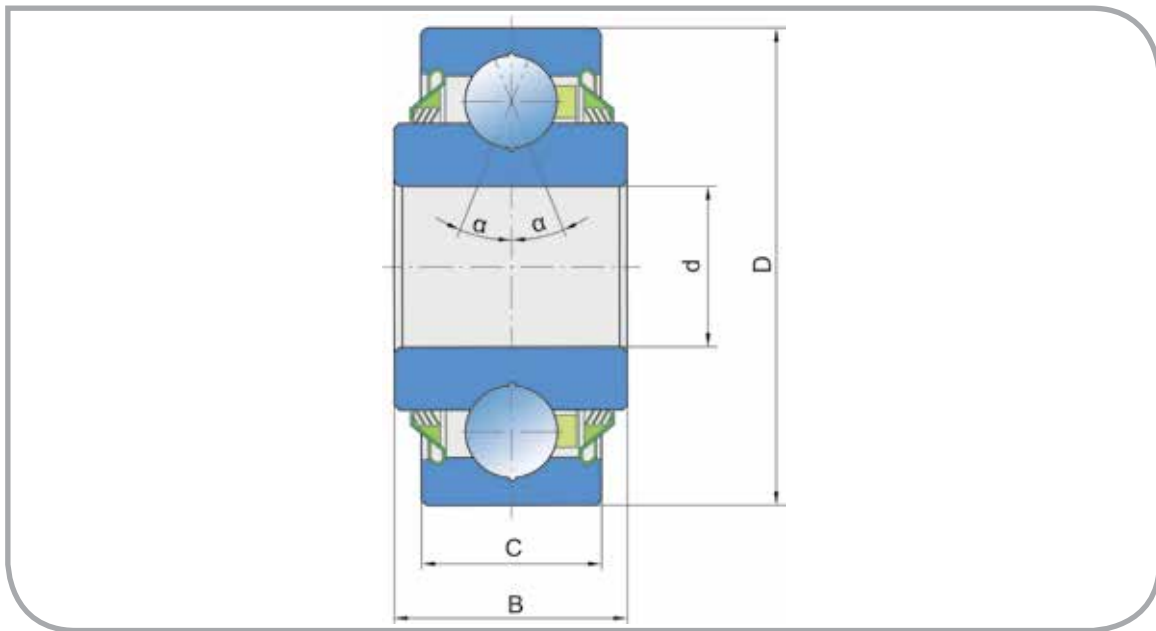
Q 203PP.AH02



UPOREDNE OZNAKE

COMPARATIVE DESIGNATION

FKL	Q 203PP.AH02
FAFNIR	BB203KRR2
IHC	2149261C91 666624R91
JOHN DEERE	AH63076 AN141120 AN142670 AN281357
MASSEY FERGUSON	832651M1
PEER	BB203KRR2



Osnovne mere/Dimensions (mm)

d	D	B	C	α	kg
16,256	40	18,29	12	25°	0,08

Potencijalno mesto ugradnje i primena:
Typical Applications:

Sejačice
Seeding Machine

Ležajevi sejačice
Seeding Machine Solutions

Kuglični ležaj sa dodirom u četiri tačke

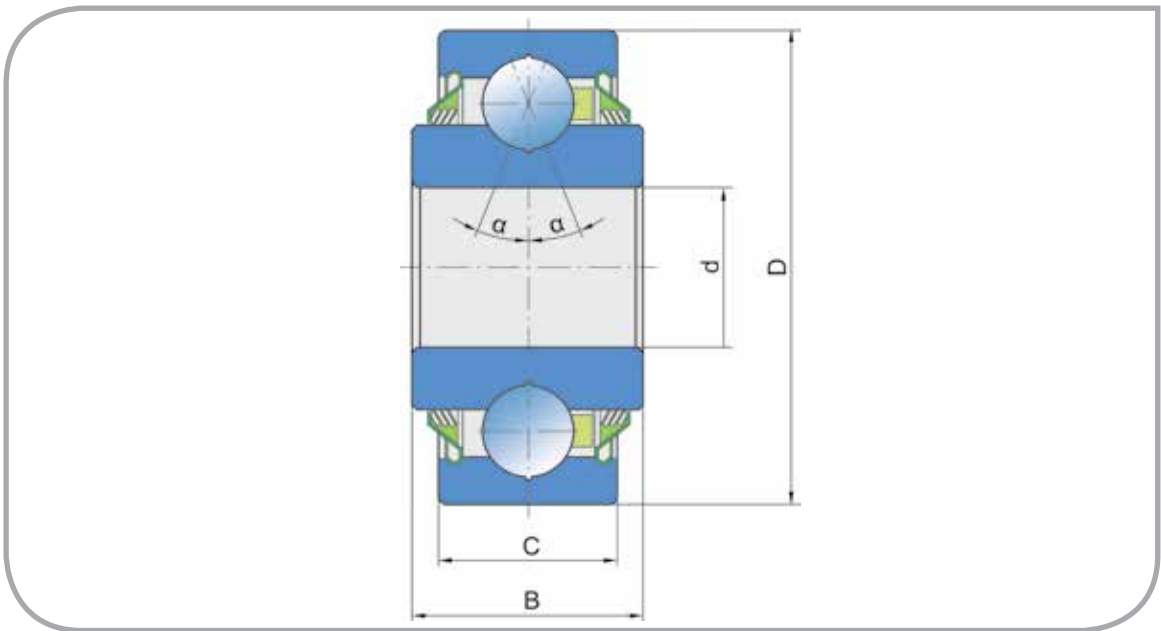
Four Point Contact Ball Bearing



Q 203PP.AH05

UPOREDNE OZNAKE COMPARATIVE DESIGNATION

FKL	Q 203PP.AH05
LEMKEN	3199369
PEER	BB203KRR5
TIMKEN	BB203KRR5



Osnovne mere/Dimensions (mm)

d	D	B	C	α	kg
13,081	40	18,29	12	25°	0,091

Potencijalno mesto ugradnje i primena:
Typical Applications:

Sejačice
Seeding Machine

Kuglični ležaj sa dodirom u četiri tačke

Four Point Contact Ball Bearing



SL 53-014-2T

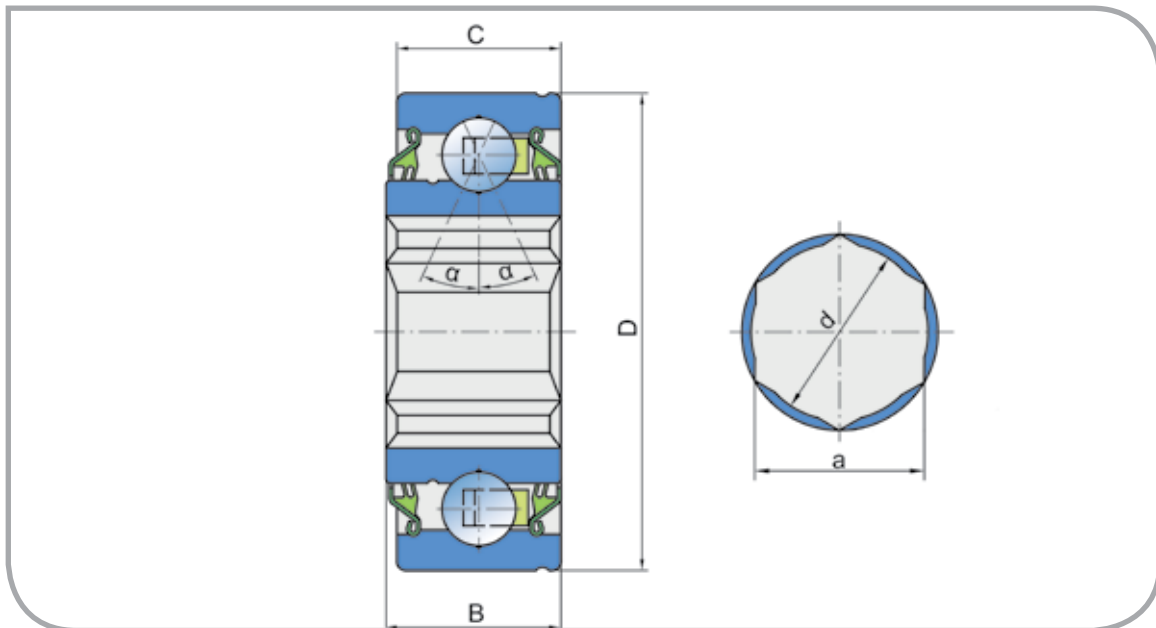


UPOREDNE OZNAKE

COMPARATIVE DESIGNATION

FKL	SL 53-014-2T
GREAT PLAINS	188-006V

Ležajevi sejačice
Seeding Machine Solutions



Osnovne mere/Dimensions (mm)

a	d	D	B	C	α	kg
22,25	22,80	53,086	19,40	18,288	25°	0,174

Potencijalno mesto ugradnje i primena:
Typical Applications:

Sejačice
Seeding Machine

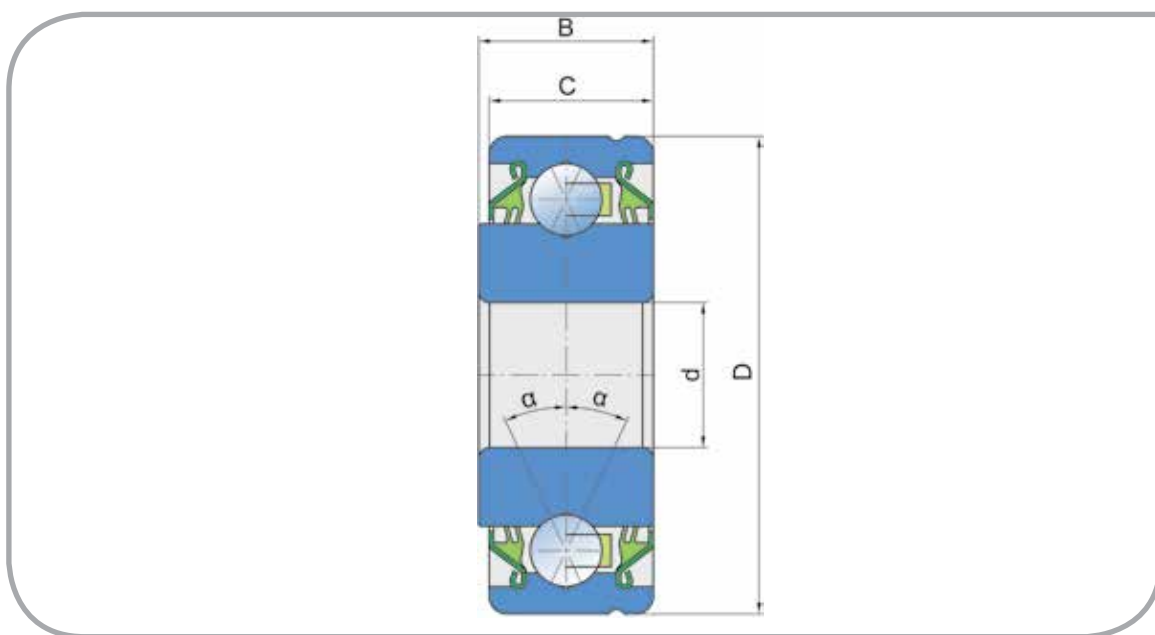
Kuglični ležaj sa dodirom u četiri tačke

Four Point Contact Ball Bearing

SL 5316 2T

UPOREDNE OZNAKE COMPARATIVE DESIGNATION

FKL	SL 5316 2T
BCA	205VVH
CHINA	205GP
FAFNIR	205DDS-5/8 AA205DD
GREAT PLAINS	188-001V
JOHN DEERE	AA205DD
KRAUSE	40-172



Osnovne mere/Dimensions (mm)

d	D	B	C	α	kg
16	53,086	19,4	18,288	25°	0,28

Potencijalno mesto ugradnje i primena:
Typical Applications:

Sejačice
Seeding Machine

Kuglični ležaj sa dodirom u četiri tačke

Four Point Contact Ball Bearing



SLE 53-012-2T

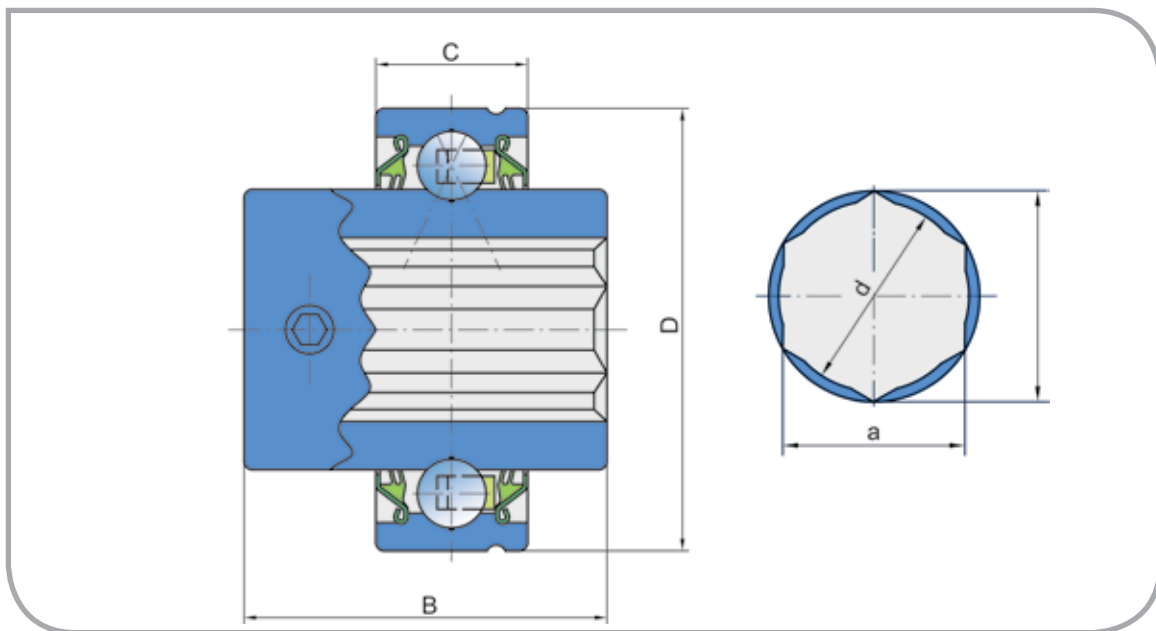


UPOREDNE OZNAKE

COMPARATIVE DESIGNATION

FKL	SLE 53-012-2T
GREAT PLAINS	188-009V

Ležajevi sejačice
Seeding Machine Solutions



Osnovne mere/Dimensions (mm)

a	d	D	B	C	kg
19,18	19,6	53,086	43,5	18,288	0,299

Potencijalno mesto ugradnje i primena:
Typical Applications:

Sejačice
Seeding Machine

Kuglični ležaj sa dodirom u četiri tačke

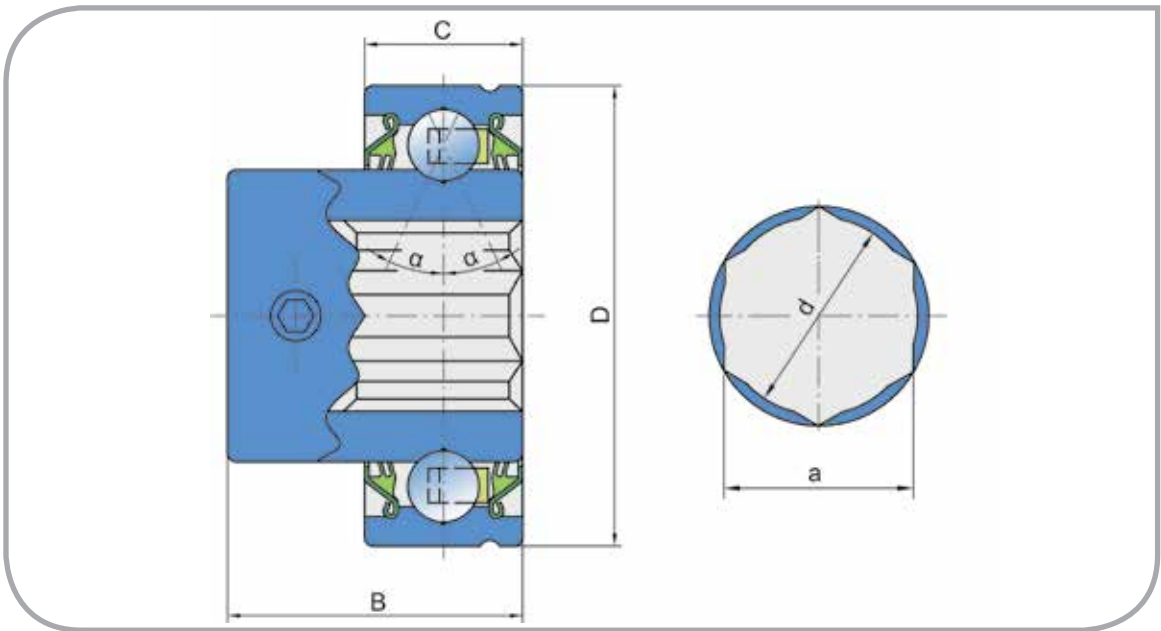
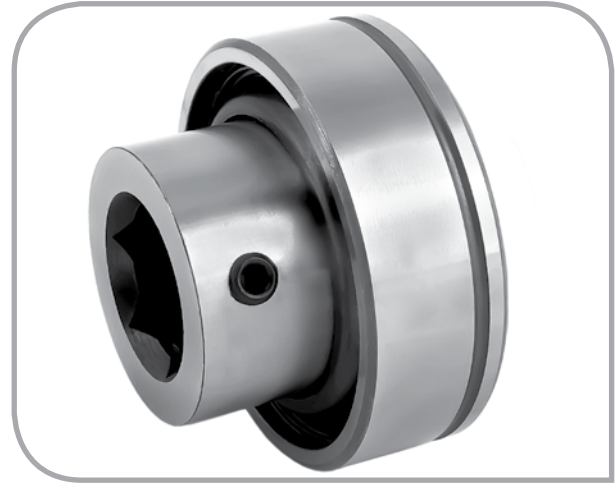
Four Point Contact Ball Bearing



SLU 53-012-2T

UPOREDNE OZNAKE COMPARATIVE DESIGNATION

FKL	SLU 53-012-2T
GREAT PLAINS	188-004V



Osnovne mere/Dimensions (mm)

a	d	D	B	C	α	kg
19,18	19,6	53,086	34,2	18,288	25°	0,257

Potencijalno mesto ugradnje i primena:
Typical Applications:

Sejačice
Seeding Machine

Kuglični ležaj

Ball Bearing



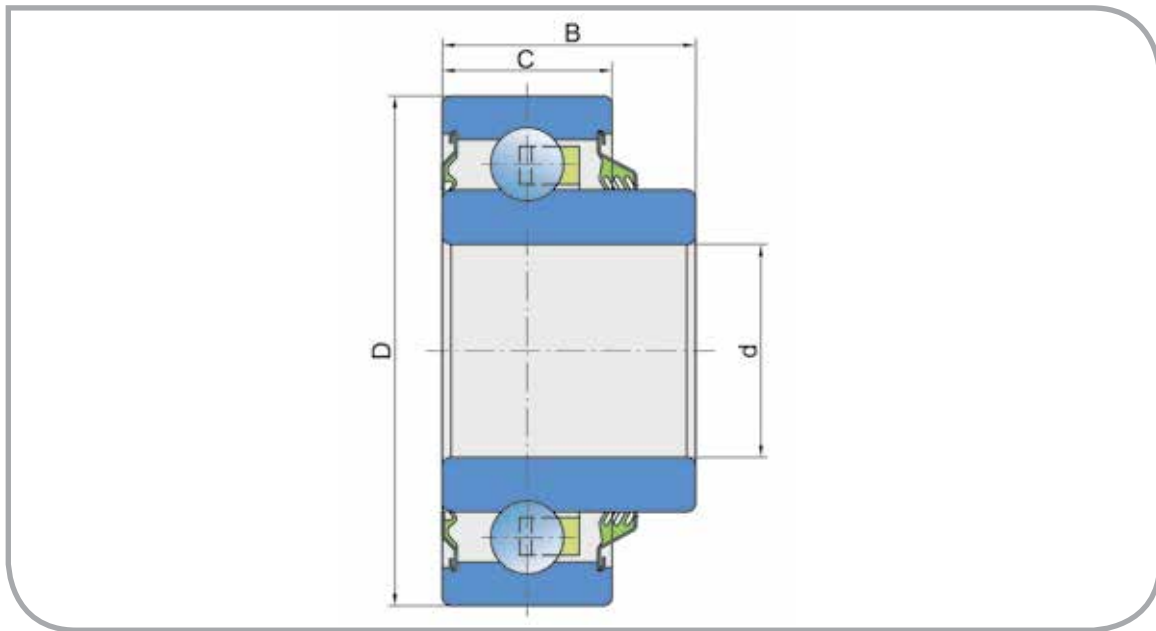
205KRP2



UPOREDNE OZNAKE

COMPARATIVE DESIGNATION

FKL	205KRP2
BCA	205RVA
CASE	1337998C1
FAFNIR	205KRP2
INA	205KRP2
JOHN DEERE	A27002 B30418
MARLISS	702020
NTN	SBX05A55
SUNFLOWER	SNDR30005
TIMKEN	205RRAN



Osnovne mere/Dimensions (mm)

d	D	B	C	kg
19,202	52	21,1	15	0,28

Potencijalno mesto ugradnje i primena:
Typical Applications:

Sejačice
Seeding Machine

Ležajevi sejačice
Seeding Machine Solutions

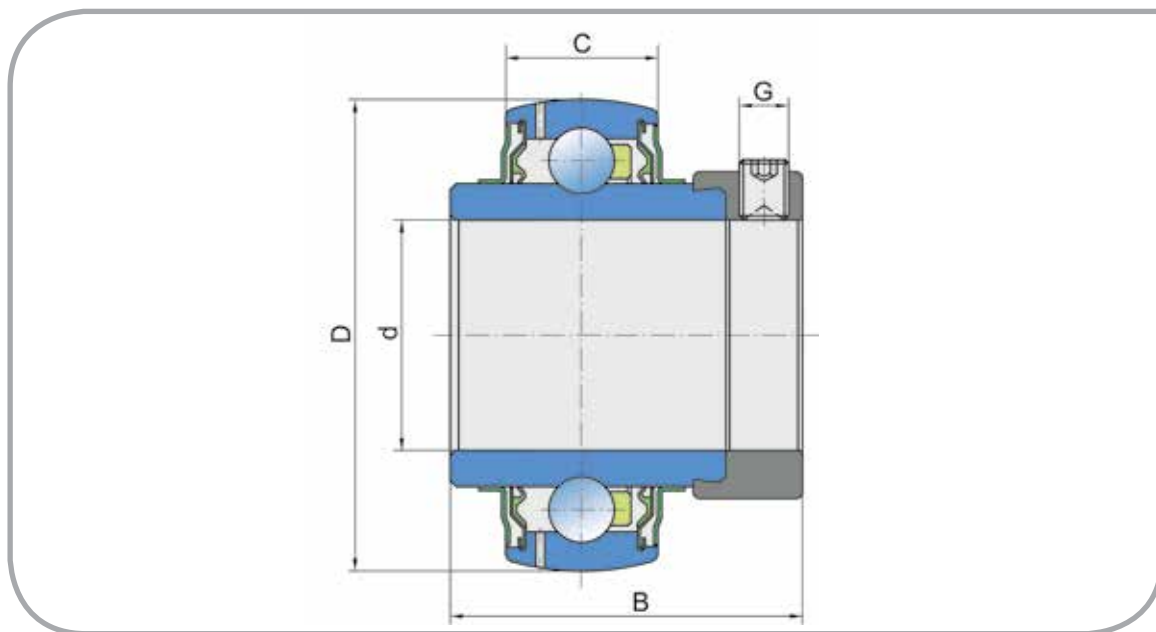


Kuglični ležaj Ball Bearing

LY 312 2F

UPOREDNE OZNAKE COMPARATIVE DESIGNATION

FKL	LY 312 2F
HORSCH	00240039
INA	GNE60KRRB
PTI	HC312
SNR	EX 312 G2



Osnovne mere/Dimensions (mm)

d	D	B	C	G	kg
60	130	68,4	33	10x1	2,97

Potencijalno mesto ugradnje i primena:
 Typical Applications:

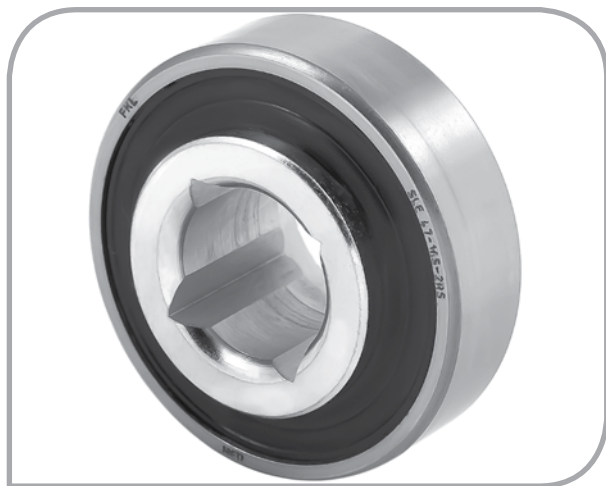
Sejačice
 Seeding Machine

Kuglični ležaj

Ball Bearing



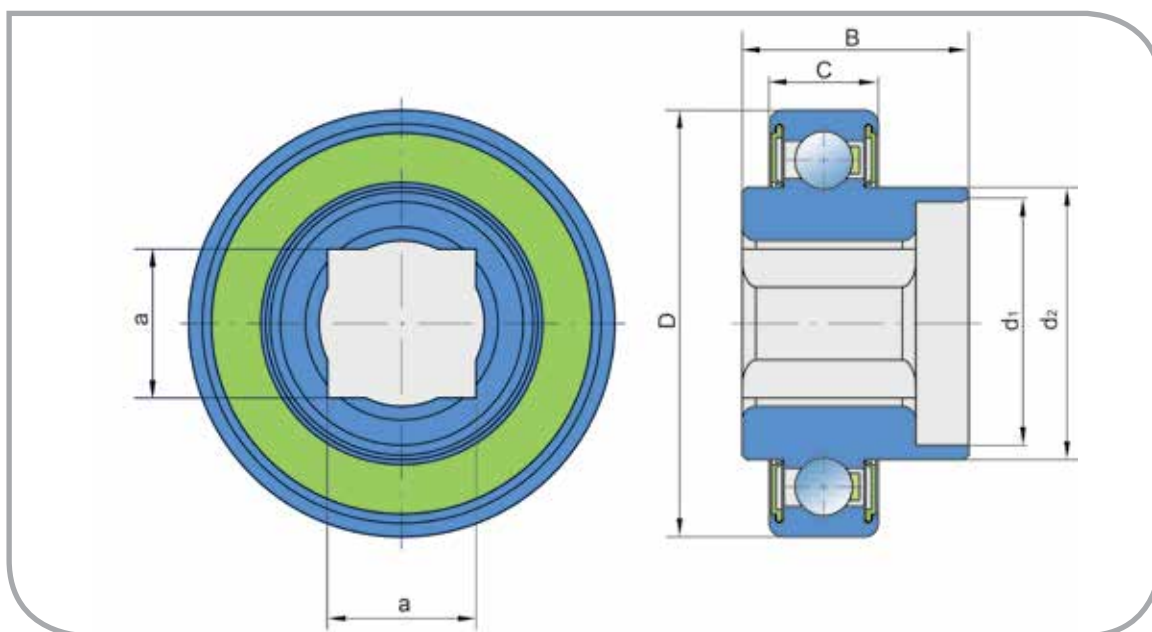
SLE 47-16S-2RS



UPOREDNE OZNAKE

COMPARATIVE DESIGNATION

FKL	SLE 47-16S-2RS
GASPARDO	G14830390
RBF	PN00039



Osnovne mere/Dimensions (mm)

a	d ₁	d ₂	D	B	C	kg
16,4	26,8	30	47	25	12	0,11

Potencijalno mesto ugradnje i primena:
Typical Applications:

Sejačice
Seeding Machine

Ležajevi sejačice
Seeding Machine Solutions

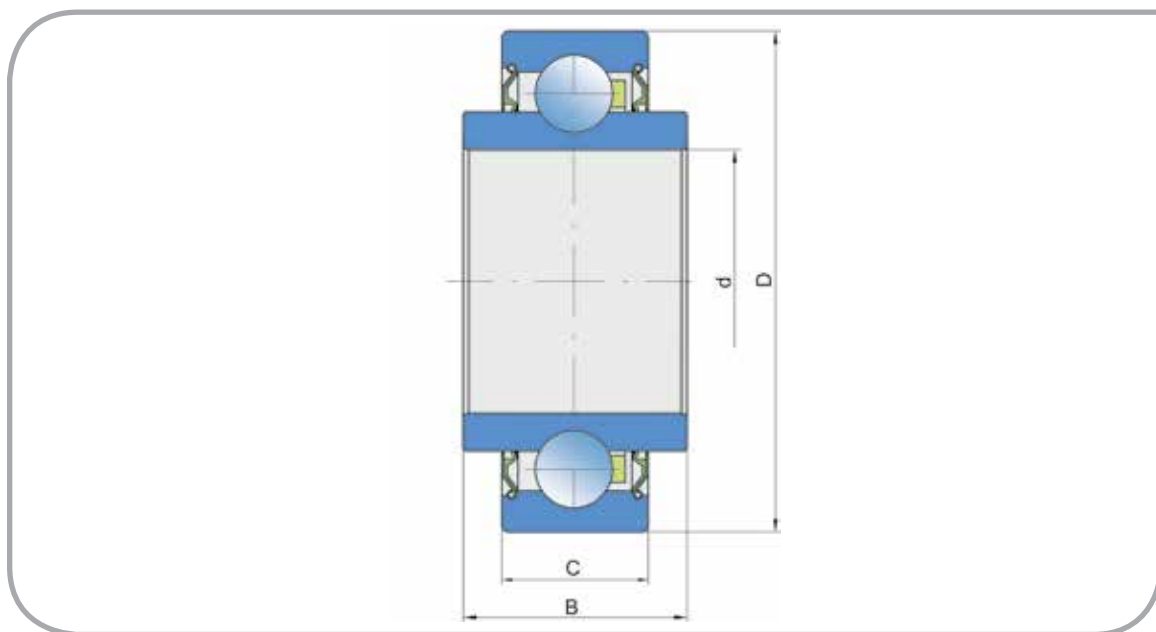


Kuglični ležaj Ball Bearing

203KRR.AH02

UPOREDNE OZNAKE COMPARATIVE DESIGNATION

FKL	203KRR.AH02
BCA	203RRAR10
CASE	149261C91 F16246
FAFNIR	203KRR2
FAG	518855
FORD	222279
GEHL	520117
GREAT PLAINS	822-095C
IHC	666624R91
JOHN DEERE	AA82881 AN100425 AN142670 AN281357 JD 9214
LINK BELT	126115
NEW HOLLAND	66553
NTN	23RRAR10



Osnovne mere/Dimensions (mm)

d	D	B	C	kg
16,26	40	18,29	12	0,07

Potencijalno mesto ugradnje i primena:
Typical Applications:

Sejačice
Seeding Machine

Kuglični ležaj

Ball Bearing



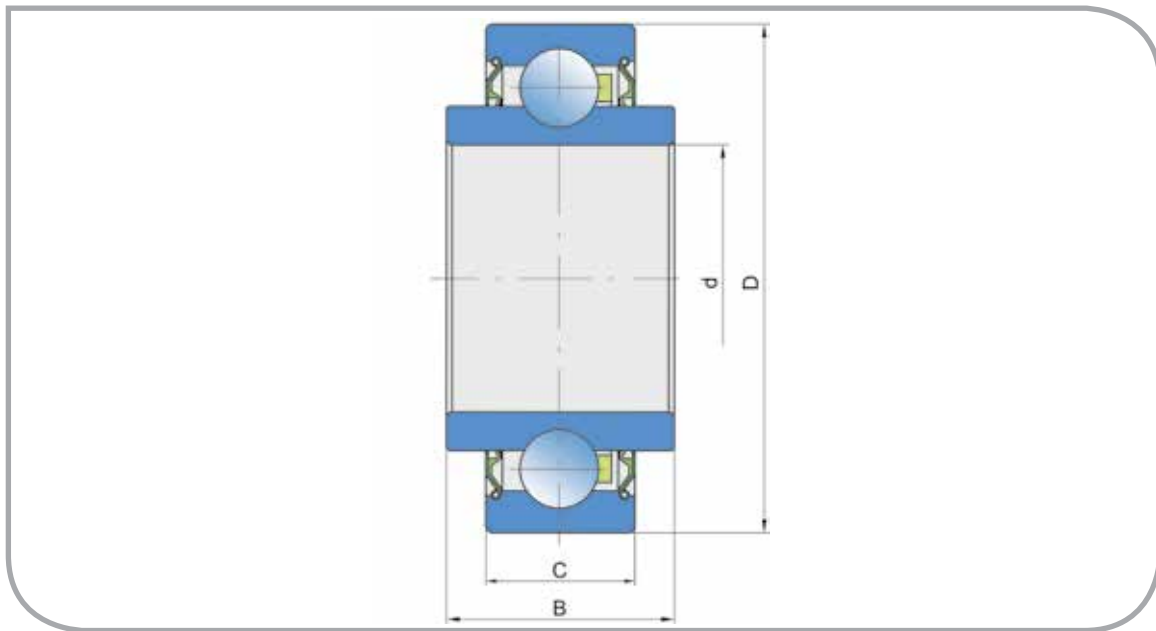
203KRR.AH05



UPOREDNE OZNAKE

COMPARATIVE DESIGNATION

FKL	203KRR.AH05
AC	562134
BCA	203RRAR8
FAFNIR	203KRR5
IHC	107095C91 611928R91
JOHN DEERE	JD10008 JD9295
LEMKEN	3198563 3198702
NTN	SX0153LCS13PX1
TIMKEN	203KRR5
TYE	522-20SP



Osnovne mere/Dimensions (mm)

d	D	B	C	kg
13	40	18,29	12	0,09

Potencijalno mesto ugradnje i primena:
Typical Applications:

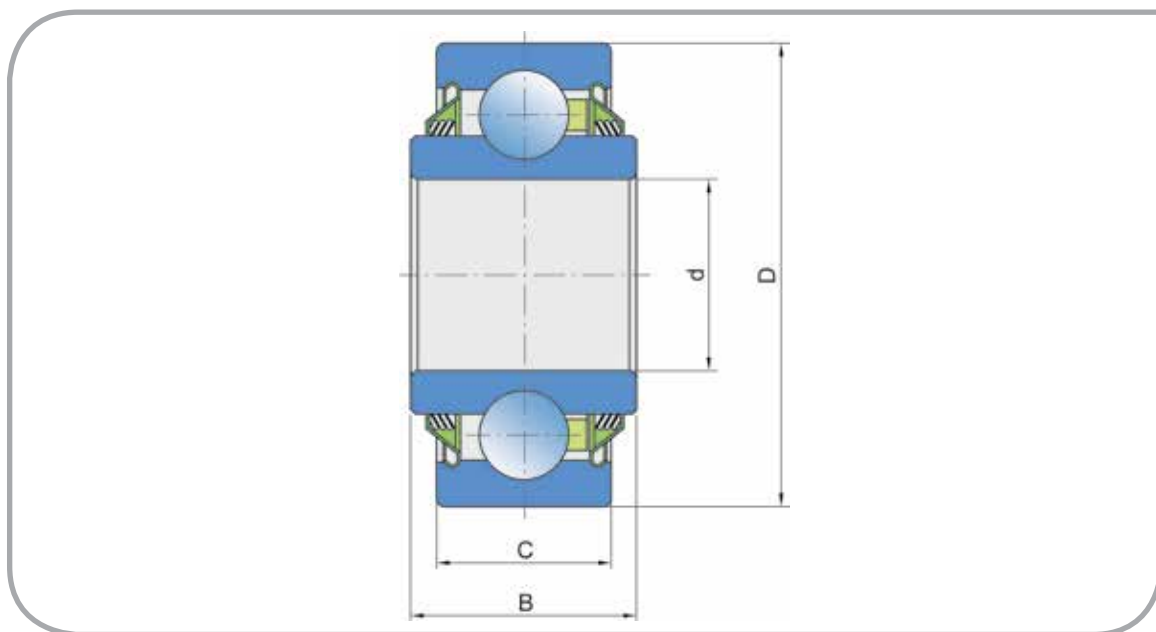
Sejačice
Seeding Machine

Ležajevi sejačice
Seeding Machine Solutions



Kuglični ležaj Ball Bearing

203KPP.AH02



Osnovne mere/Dimensions (mm)

d	D	B	C	kg
16,26	40	18,29	12	0,07

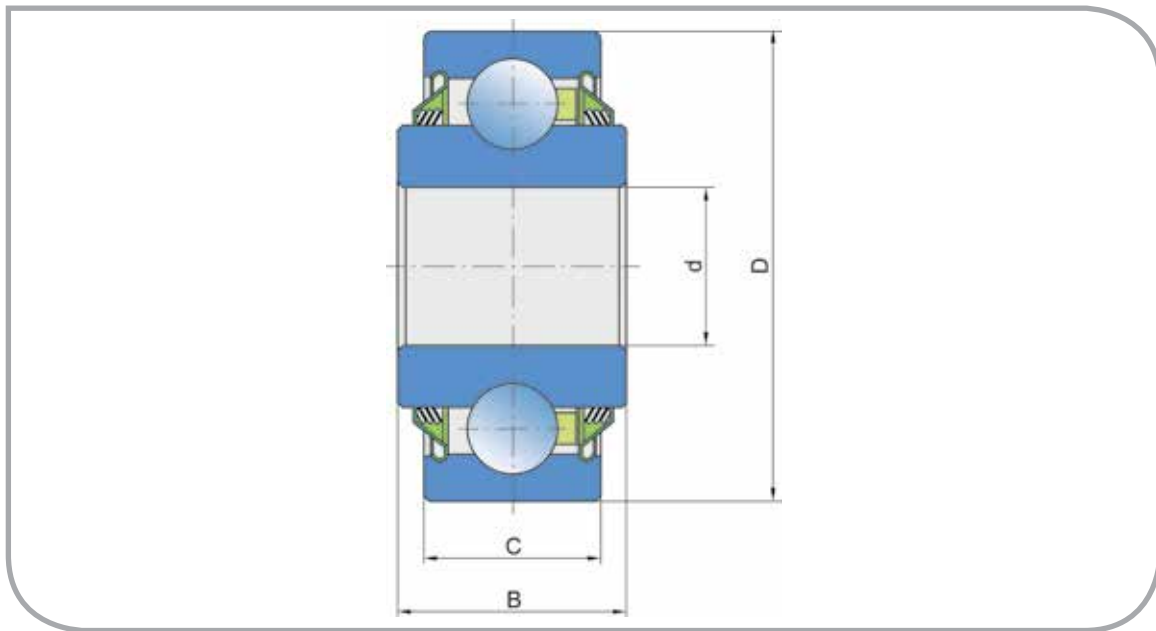
Potencijalno mesto ugradnje i primena:
Typical Applications:

Sejačice
Seeding Machine

Kuglični ležaj

Ball Bearing

203KPP.AH05



Osnovne mere/Dimensions (mm)

d	D	B	C	kg
13	40	18,29	12	0,09

Potencijalno mesto ugradnje i primena:
Typical Applications:

Sejačice
Seeding Machine



Ležajevi sejačice
Seeding Machine Solutions

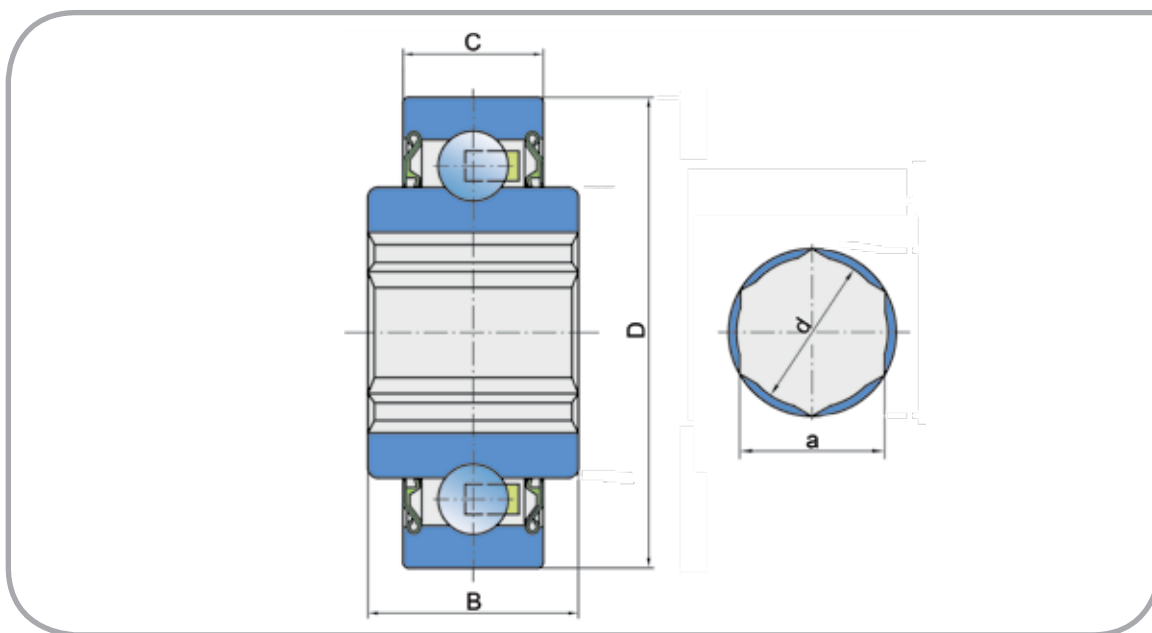


Kuglični ležaj Ball Bearing

204KRR2

UPOREDNE OZNAKE COMPARATIVE DESIGNATION

FKL	204KRR2
BCA	HPC011GP
CASE	592141R91
FAFNIR	AH107148
JOHN DEERE	JD7126
KOYO	88120A
LAND PRIDE	822-173C
LINK BELT	11KB204N
MASSEY FERGUSON	PS01102
NDH	1AH04-11/16
PEER	204KRR2
TIMKEN	204KRR2



Osnovne mere/Dimensions (mm)

a	d	D	B	C	kg
17,65	18,2	47	20,96	14	0,145

Potencijalno mesto ugradnje i primena:
 Typical Applications:

Sejačice
 Seeding Machine

Kuglični ležaj

Ball Bearing



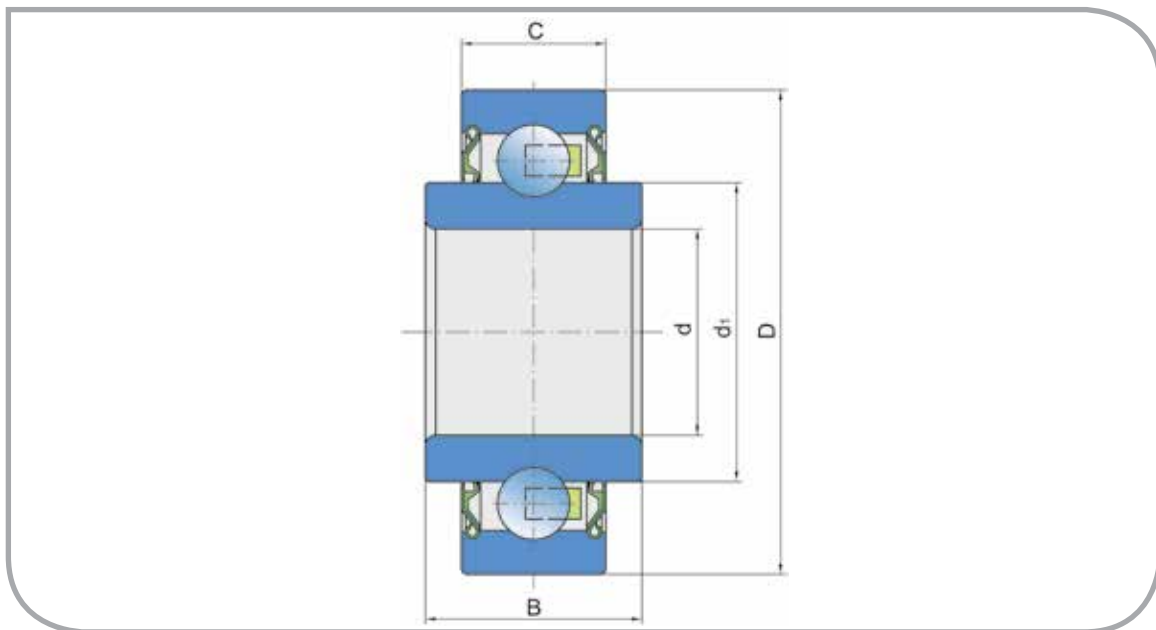
204KRR



UPOREDNE OZNAKE

COMPARATIVE DESIGNATION

FKL	204KRR
FAFNIR	204KRR
INA/FAG	204-XL-KRR
KVERNELAND	AC671871



Osnovne mere/Dimensions (mm)

d	d ₁	D	B	C	kg
20	28,2	47	17,7	14	0,12

Potencijalno mesto ugradnje i primena:
Typical Applications:

Sejačice
Seeding Machine

Ležajevi sejačice
Seeding Machine Solutions

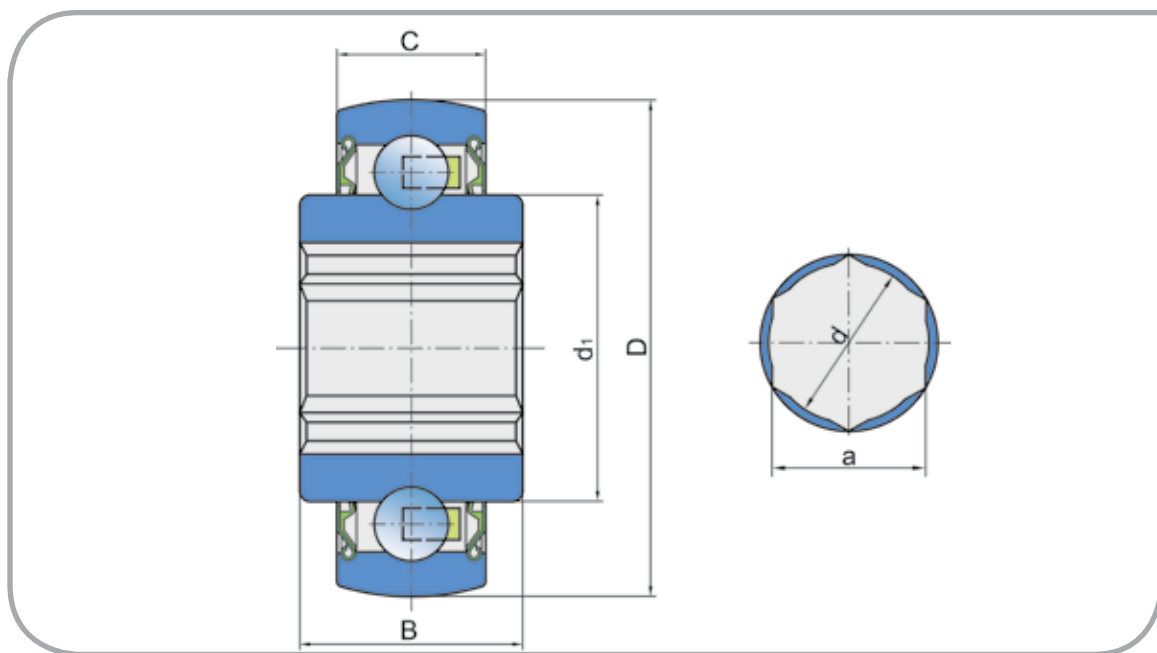


Kuglični ležaj Ball Bearing

204KRRB2

UPOREDNE OZNAKE COMPARATIVE DESIGNATION

FKL	204KRRB2
BCA	HPS011GP
FAFNIR	204KRRB2
INA	204KRRB2
LINK BELT	11K204N
PEER	204KRRB2



Osnovne mere/Dimensions (mm)

a	d	d ₁	D	B	C	kg
17,65	18,2	28,2	47	20,96	14	0,145

Potencijalno mesto ugradnje i primena:
 Typical Applications:

Sejačice
 Seeding Machine

Kuglični ležaj Ball Bearing

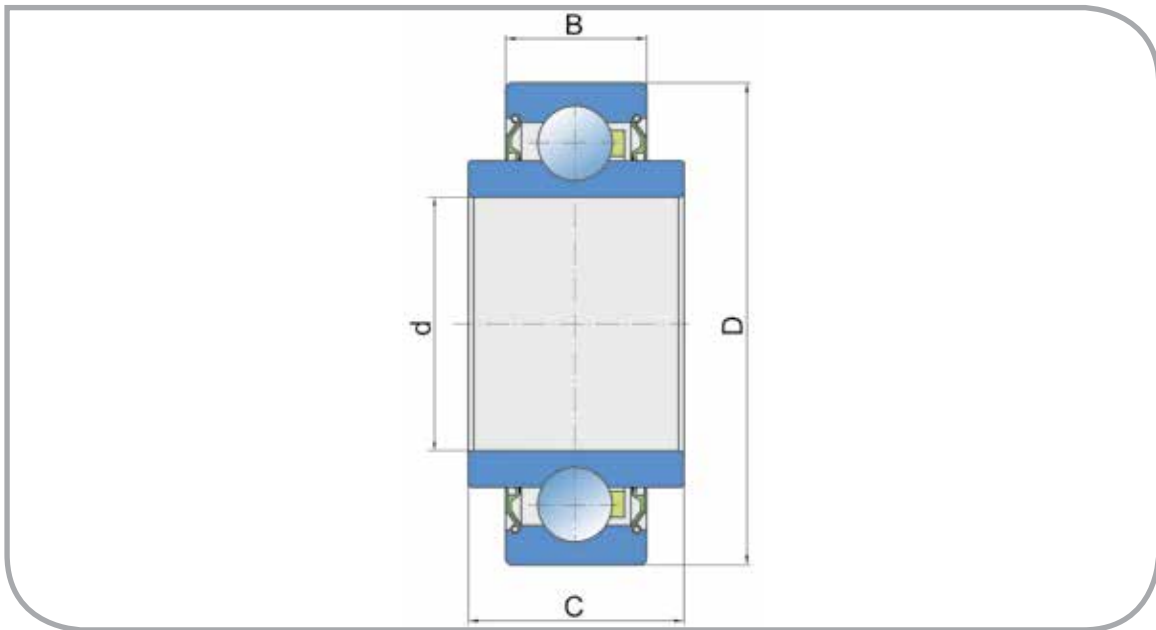


203KRR



UPOREDNE OZNAKE COMPARATIVE DESIGNATION

FKL	203KRR
INA	203-XL-KRR



Osnovne mere/Dimensions (mm)

d	D	B	C	kg
17	40	12	18,3	0,09

Potencijalno mesto ugradnje i primena:
Typical Applications:

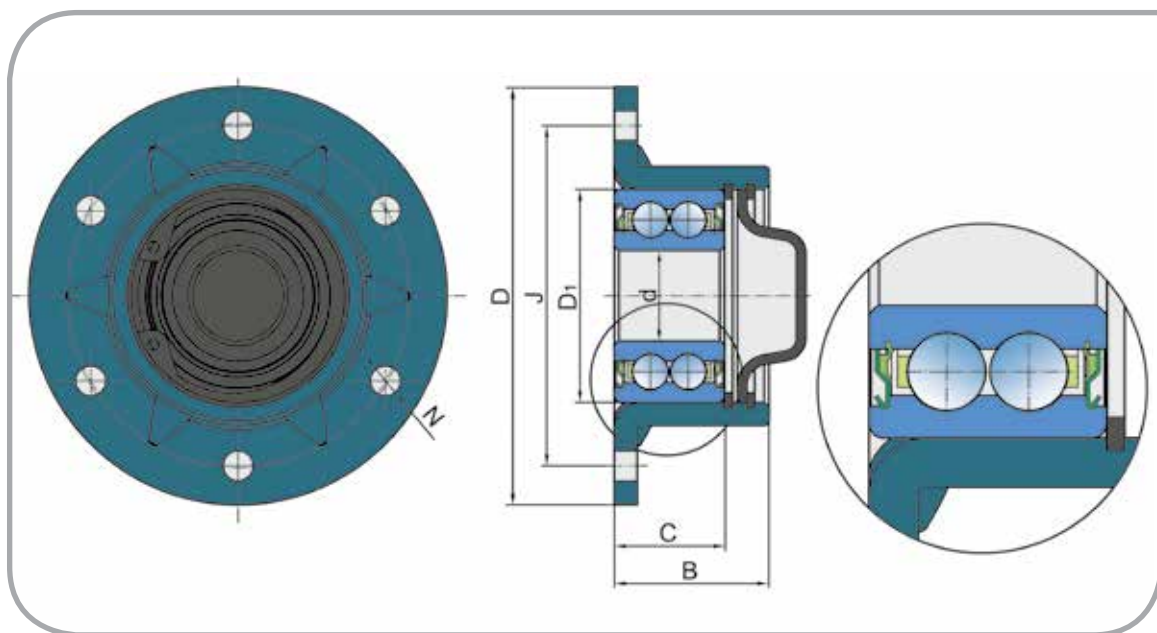
Sejačice
Seeding Machine

Ležajevi sejačice
Seeding Machine Solutions



Ležajna jedinica Bearing Unit

PL-7517/7520



Osnovne mere/Dimensions (mm)

Oznaka/Designation	d	D	D ₁	J	N	B	C	kg
PL-7517	17	92	47	75	6,7H12	34	24	0,56
PL-7520	20	92	47	75	6,7H12	34	24	0,56

Potencijalno mesto ugradnje i primena:
Typical Applications:

Sejačice
Seeding Machine

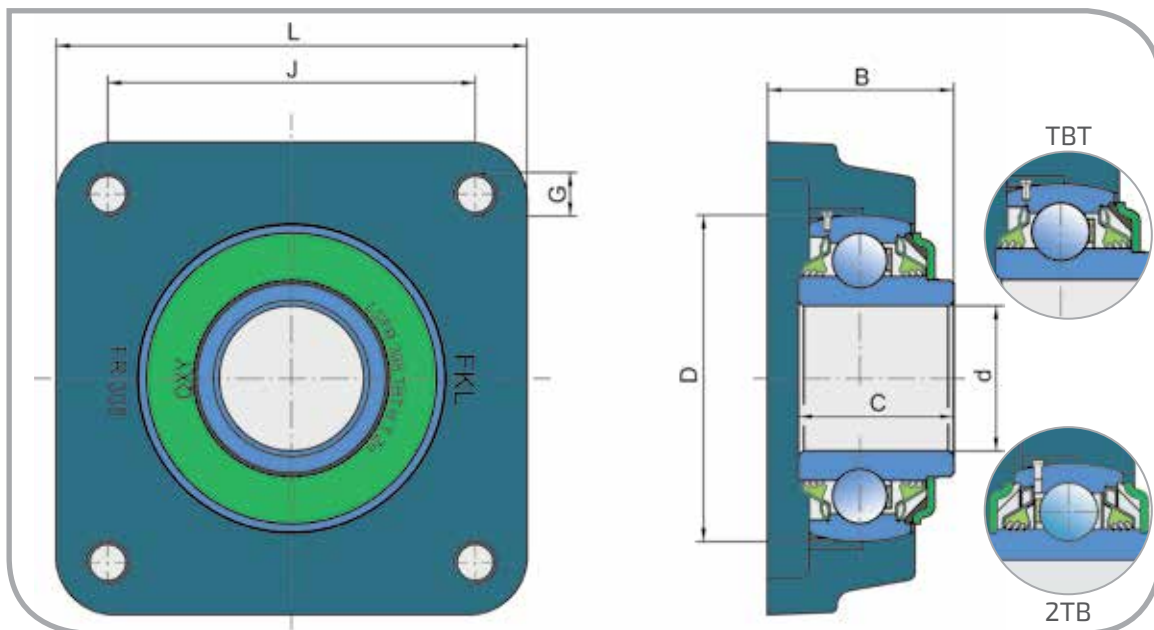
Ležajna jedinica Bearing Unit

LSFR 308 TBT.H.T.Zn
LSFR 308 2TB.H.T.Zn



UPOREDNE OZNAKE COMPARATIVE DESIGNATION

FKL	LSFR 308 2TB.H.T.Zn
HORSCH	00240028
INA	TCJ 40
SNR	UCFE 308 A02X3



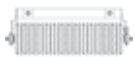
Osnovne mere/Dimensions (mm)

Oznaka/Designation	d	D	L	J	G	B	C	kg
LSFR 308 TBT.H.T.Zn	40	90	130	101,5	M12	51,4	42,9	2,40
LSFR 308 2TB.H.T.Zn	40	90	130	101,5	M12	46,4	45,8	2,60

Potencijalno mesto ugradnje i primena:
Typical Applications:

Ležajevi valjaka
Packer Rollers

Ležajevi valjaka
Packer Rollers Solutions



Ležajna jedinica

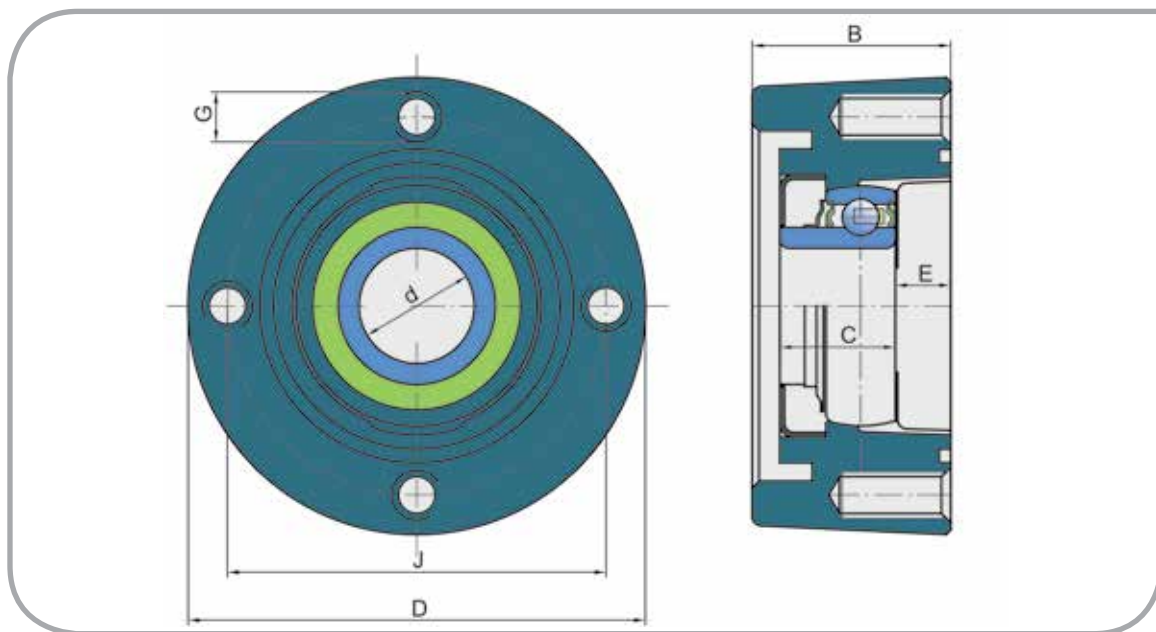
Bearing Unit

LSGR 205 FS

UPOREDNE OZNAKE

COMPARATIVE DESIGNATION

FKL	LSGR 205 FS
INA	F-239975-0200 RCJT 25x400x43 GGG
LEMKEN	3199371
RBF	PN 00029



Osnovne mere/Dimensions (mm)

d	D	J	B	E	C	G	kg
25	99	82	43	12	25	10	1,55

Potencijalno mesto ugradnje i primena:
Typical Applications:

Ležajevi valjaka
Packer Rollers

Ležajna jedinica Bearing Unit

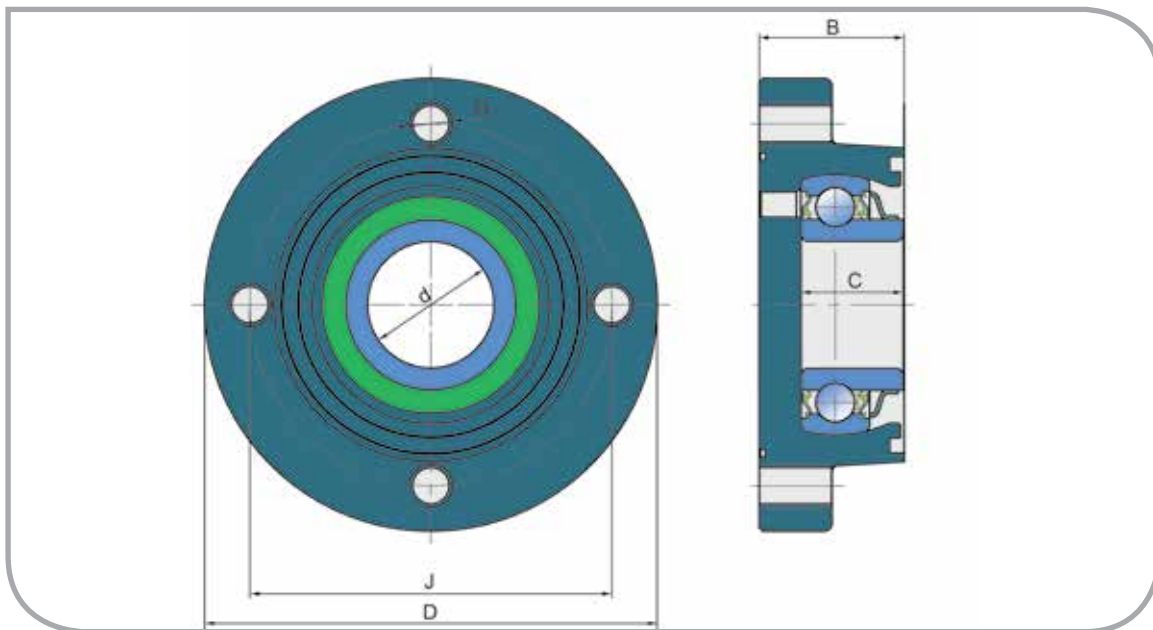


LSGR 207 TBS



UPOREDNE OZNAKE COMPARATIVE DESIGNATION

FKL	LSGR 207 TBS
INA	F-232812-0200 RCJ 35x118x39.9
LEMKEN	3199372
RBF	PN00032RCJ



Osnovne mere/Dimensions (mm)

d	D	J	B	C	M	kg
35	125	100	40	28,3	12	1,70

Potencijalno mesto ugradnje i primena:
Typical Applications:

Ležajevi valjaka
Packer Rollers

Ležajevi valjaka
Packer Rollers Solutions



Ležajna jedinica

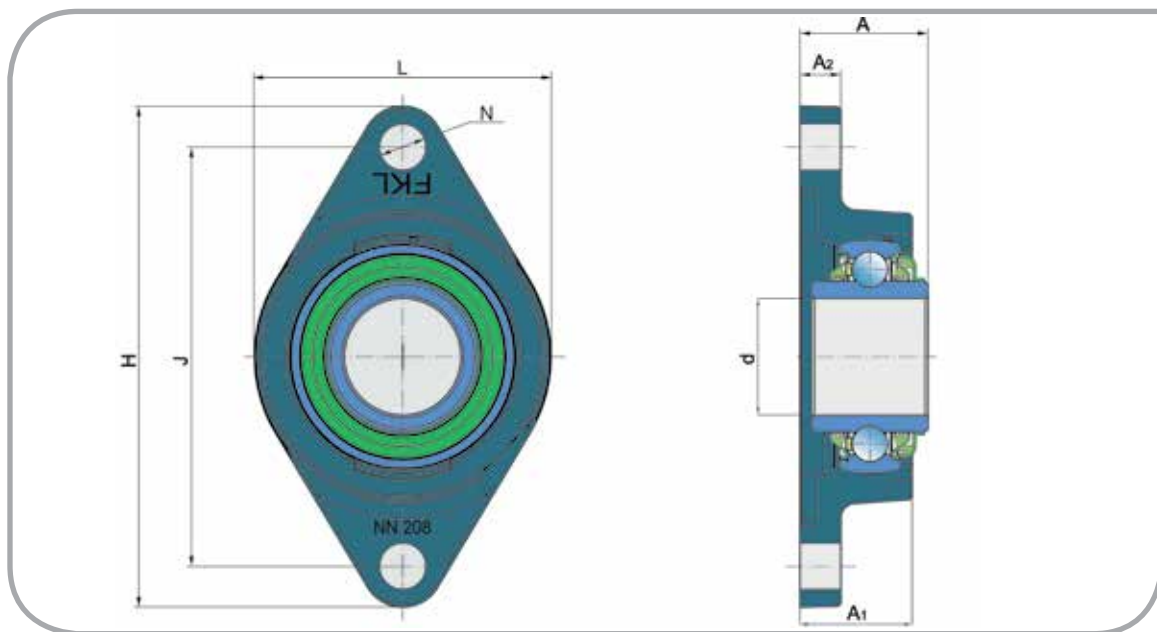
Bearing Unit

LSNN 208 TDT.H.T4 *K

UPOREDNE OZNAKE

COMPARATIVE DESIGNATION

FKL	LSNN 208 TDT.H.T4 *K
KOCKERLING	567148



Osnovne mere/Dimensions (mm)

d	H	J	L	A	A ₁	A ₂	N	kg
40	172	144	102	44	38,5	14	16	1,78

Potencijalno mesto ugradnje i primena:
 Typical Applications:

Ležajevi valjaka
 Packer Rollers

Ležajna jedinica Bearing Unit

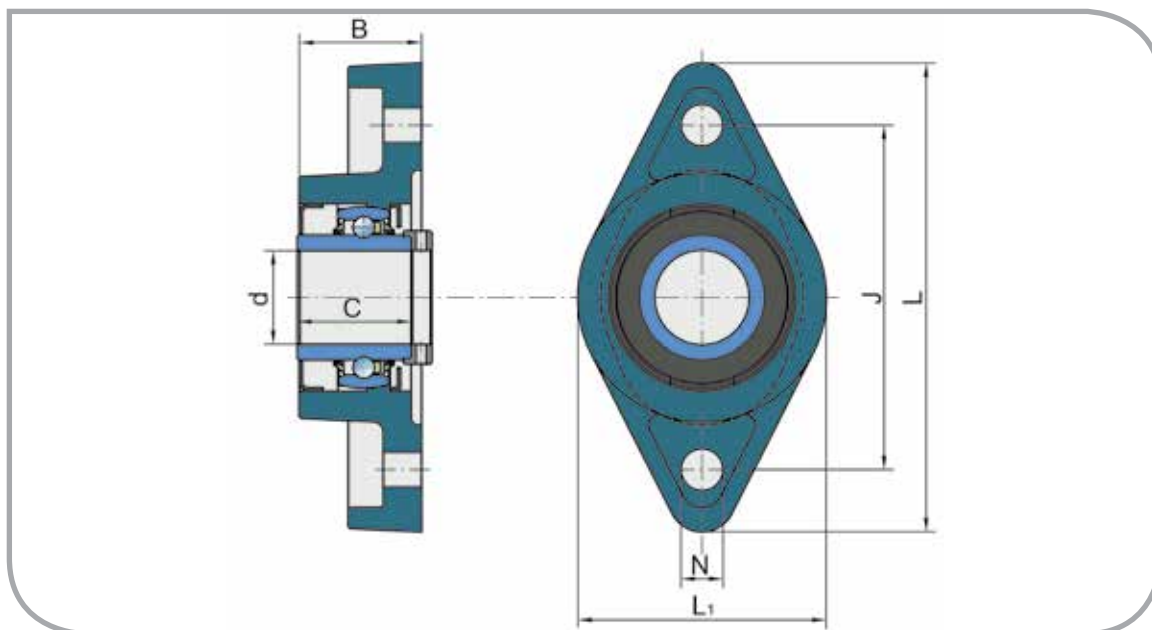


LSNR 205 2T



UPOREDNE OZNAKE COMPARATIVE DESIGNATION

FKL	LSNR 205 2T
INA	F-233449
LEMKEN	3199367
RBF	PN00028



Osnovne mere/Dimensions (mm)

d	L	L ₁	J	B	C	N	kg
25	135	71	99	35	34,8	11	0,91

Potencijalno mesto ugradnje i primena:
Typical Applications:

Ležajevi valjaka
Packer Rollers

Ležajevi valjaka
Packer Rollers Solutions



Ležajna jedinica

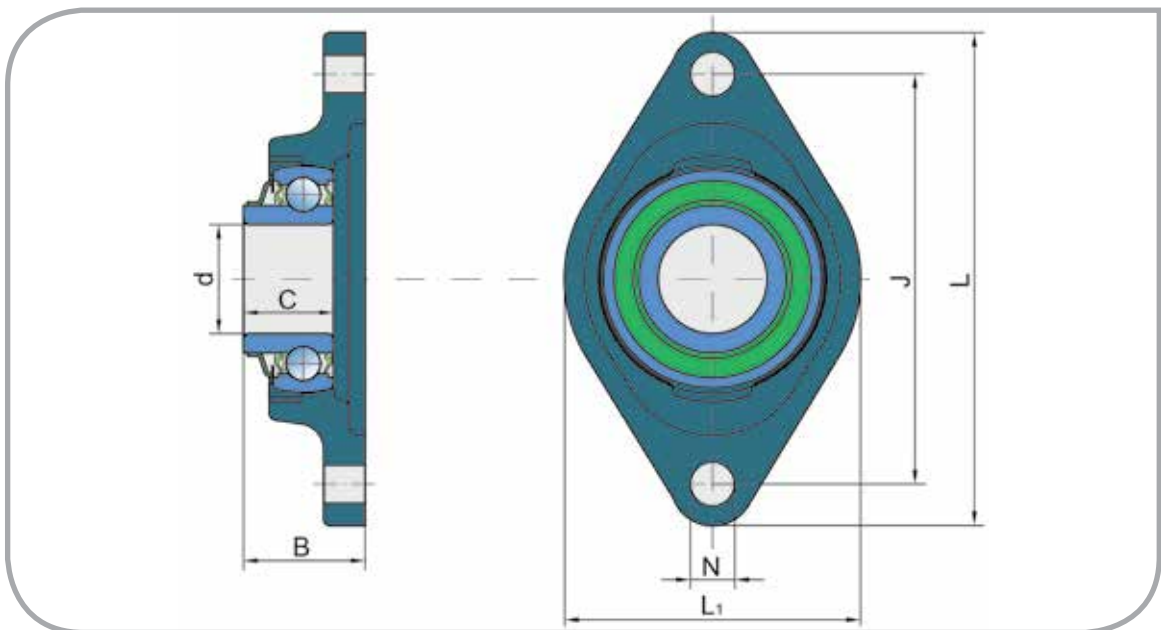
Bearing Unit

LSNR 207 TBS

UPOREDNE OZNAKE

COMPARATIVE DESIGNATION

FKL	LSNR 207 TBS
LEMKEN	3199352
RBF	PN00030



Osnovne mere/Dimensions (mm)

d	L	L ₁	J	B	C	N	kg
35	155	93	130	40	28,3	14	1,05

Potencijalno mesto ugradnje i primena:
Typical Applications:

Ležajevi valjaka
Packer Rollers

Ležajna jedinica Bearing Unit

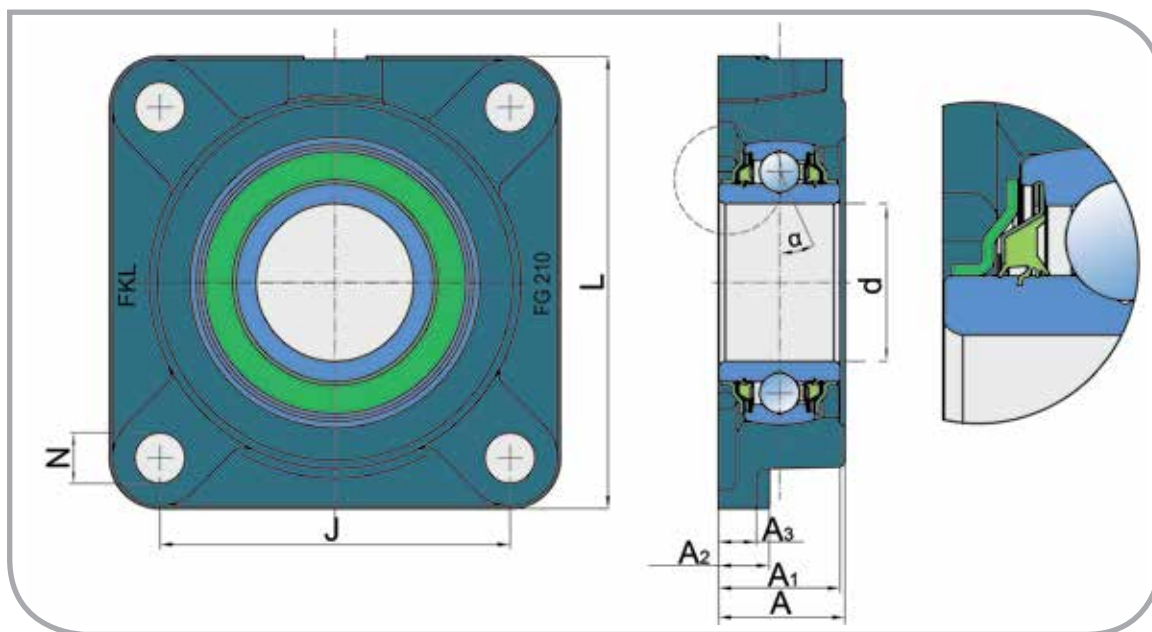


LSQFG 210 2PB.H



UPOREDNE OZNAKE COMPARATIVE DESIGNATION

FKL	LSQFG 210 2PB.H
HORSCH	00240177 00240159 00240153
INA	TCF 50
PEER	W210-50MM-MF-R-DF-A362



Osnovne mere/Dimensions (mm)

d	A ₁	A ₂	A ₃	J	L	A	N	α	kg
50	38,5	16	12	111	143	40	17	25°	2,65

Potencijalno mesto ugradnje i primena:
Typical Applications:

Ležajevi valjaka
Packer Rollers

Ležajevi valjaka
Packer Rollers Solutions



Ležajna jedinica

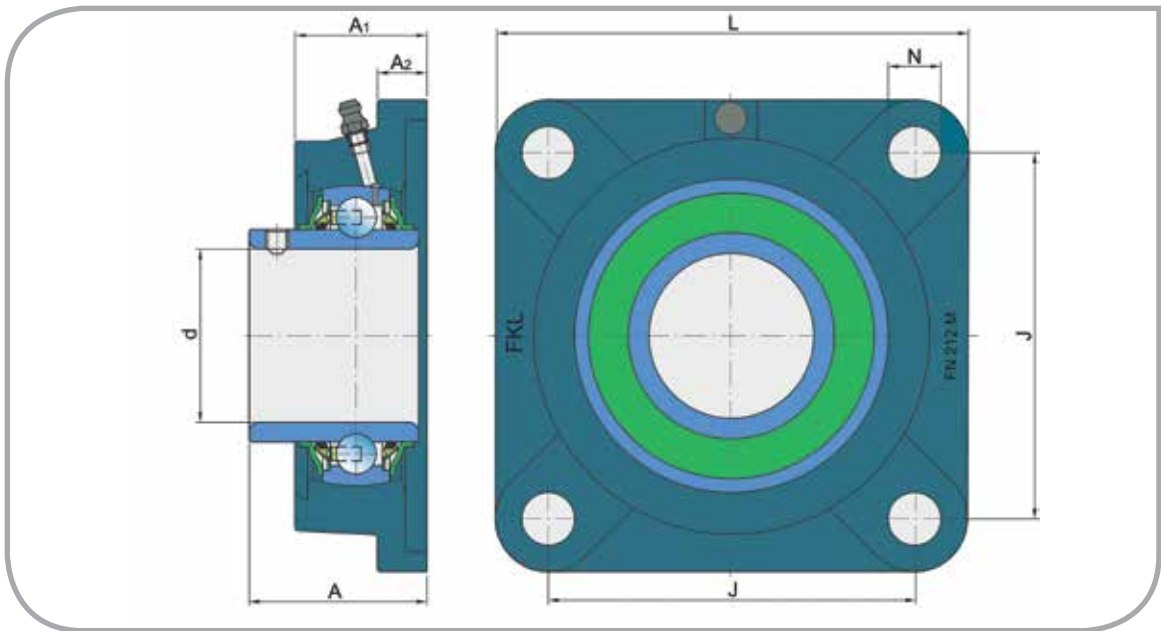
Bearing Unit

LEFN 212 M 2TB

UPOREDNE OZNAKE

COMPARATIVE DESIGNATION

FKL	LEFN 212 M 2TB
HORSCH	00240198 00240165 00240231
INA	UCF 212
SKF	FY 60 TF.M
SNR	UCFE 212 G2L3 XUC 212 B133 + FE 212 GGG



Osnovne mere/Dimensions (mm)

d	A	A ₁	A ₂	J	L	N	kg
60	73,7	52	17	143	175	18	4,27

Potencijalno mesto ugradnje i primena:
 Typical Applications:

Ležajevi valjaka
 Packer Rollers

Ležajna jedinica

Bearing Unit



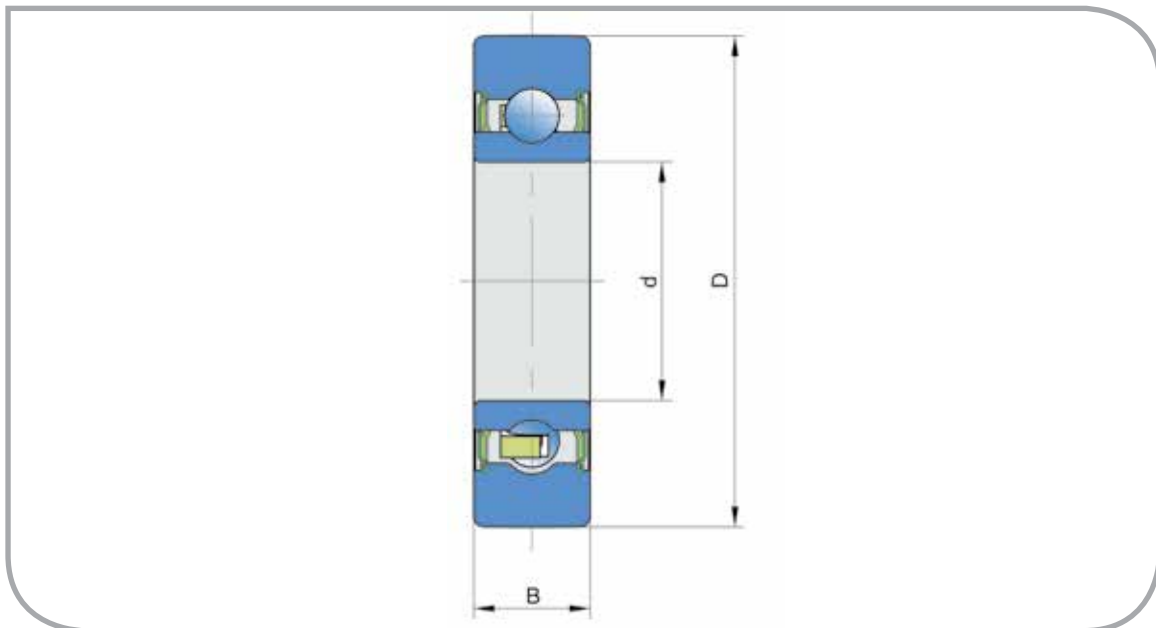
LR-35/72



UPOREDNE OZNAKE

COMPARATIVE DESIGNATION

FKL	LR-35/72
INA	F-552987
	LR 35/72 2URS
PBF	114-992-2RSR2



Osnovne mere/Dimensions (mm)

d	D	B	kg
35	72	17	0,32

Potencijalno mesto ugradnje i primena:
Typical Applications:

Ležajevi balirke
Packer Ballers

Ležajevi balirke
Packer Ballers Solutions

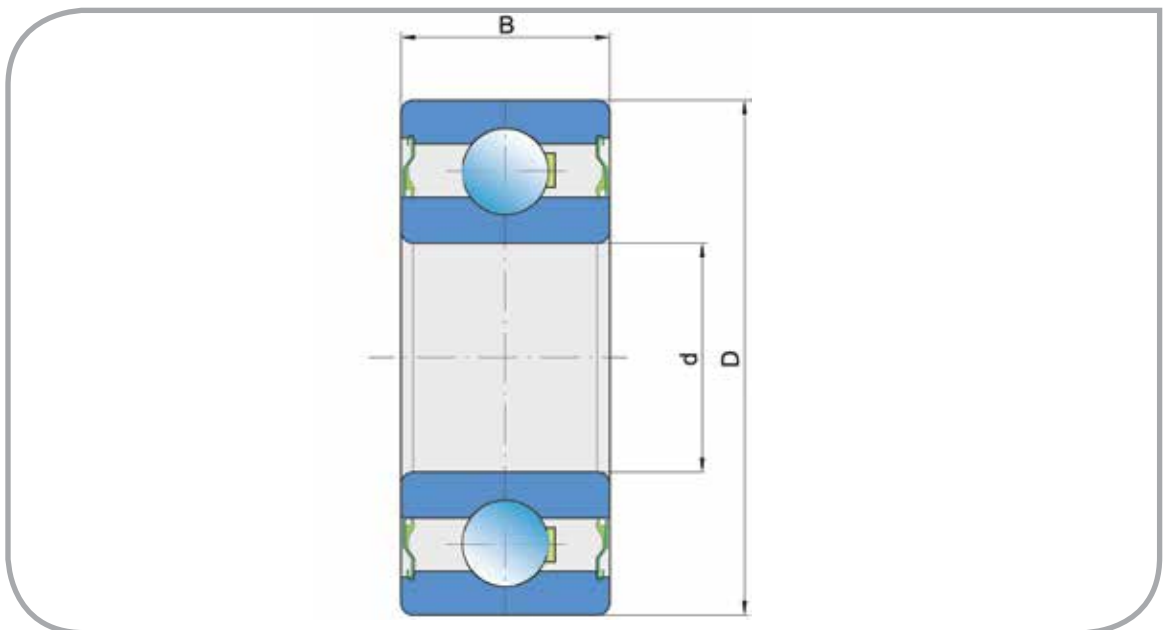


Kuglični ležaj Ball Bearing

SL 40/90/36.5

UPOREDNE OZNAKE COMPARATIVE DESIGNATION

FKL	SL 40/90/36.5
JOHN DEER	AP 19769
FAFNIR	W308PP-FS149
TIMKEN	W308PP-FS149



Osnovne mere/Dimensions (mm)

d	D	B	kg
40	90	36,5	1,21

Potencijalno mesto ugradnje i primena:
 Typical Applications:

Kombajn
 Combine

Kuglični ležaj

Ball Bearing



209 KRR K/50.135

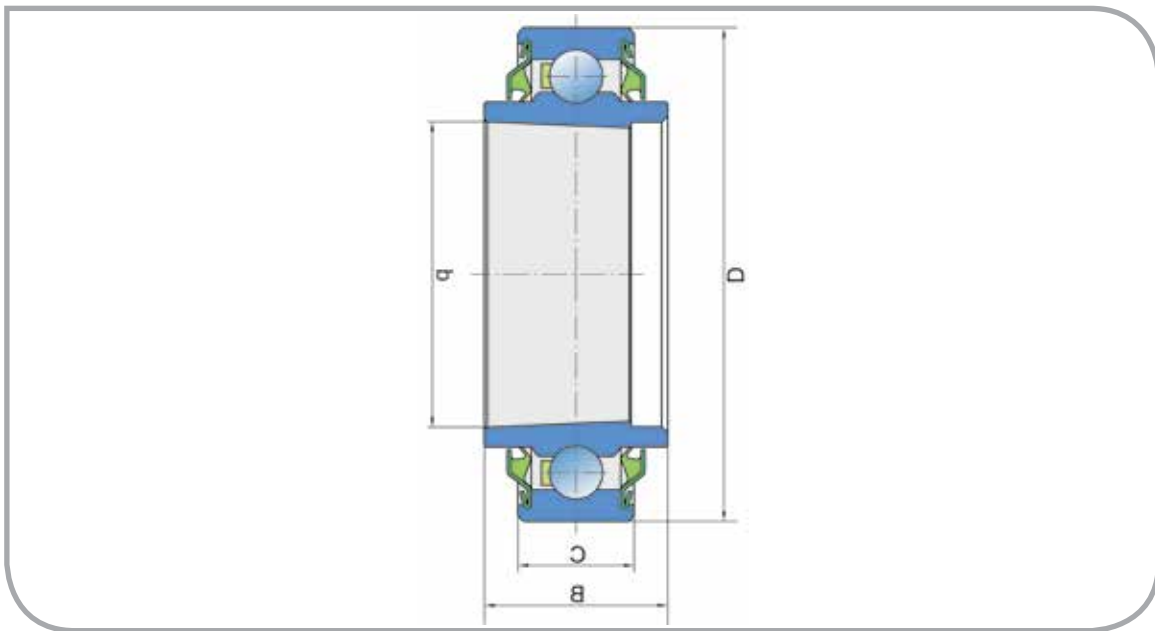


UPOREDNE OZNAKE

COMPARATIVE DESIGNATION

FKL	209 KRR K/50.135
INA	209 KRR K/50.135

Ležajevi kombajna
Combine Solutions



Osnovne mere/Dimensions (mm)

d	D	B	C	kg
50,135	81	30	18	0,42

Potencijalno mesto ugradnje i primena:
Typical Applications:

Kombajn
Combine

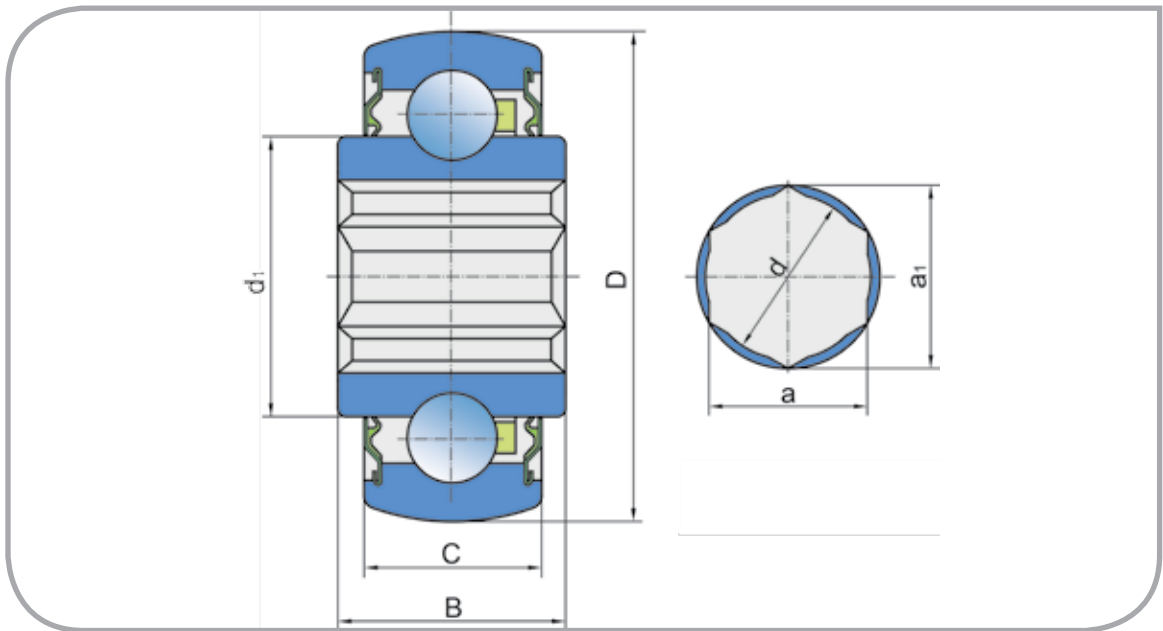


Kuglični ležaj Ball Bearing

207KRRB9

UPOREDNE OZNAKE COMPARATIVE DESIGNATION

FKL	207KRRB9
BCA	HPS102GP
FAFNIR	207KRRB9
JOHN DEERE	JD9457
LINK BELT	18K207N
NEW HOLLAND	121602
NTN	2AH07-1 1/8
TIMKEN	207KRRB9



Osnovne mere/Dimensions (mm)

a	a ₁	d	d ₁	D	B	C	kg
28,6	32,95	29,3	46,1	72	37,7	17	0,51

Potencijalno mesto ugradnje i primena:
 Typical Applications:

Kombajn
 Combine

Kuglični ležaj Ball Bearing



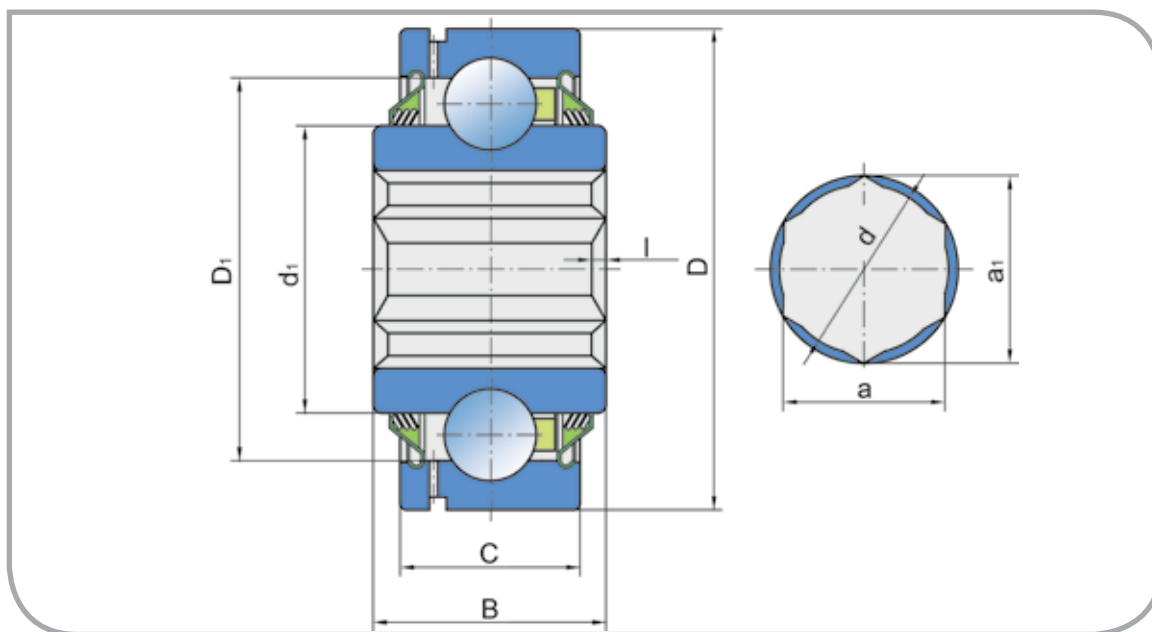
G207 KPP3 AH16



UPOREDNE OZNAKE COMPARATIVE DESIGNATION

FKL	G207 KPP3 AH16
JOHN DEERE	JD10458
NTN	SBX07A02C4

Ležajevi kombajna
Combine Solutions



Osnovne mere/Dimensions (mm)

a	a ₁	d	d ₁	D	B	C	I	kg
31,78	36,45	32,5	46,1	72	38	19	2/45°	0,65

Potencijalno mesto ugradnje i primena:
Typical Applications:

Kombajn
Combine

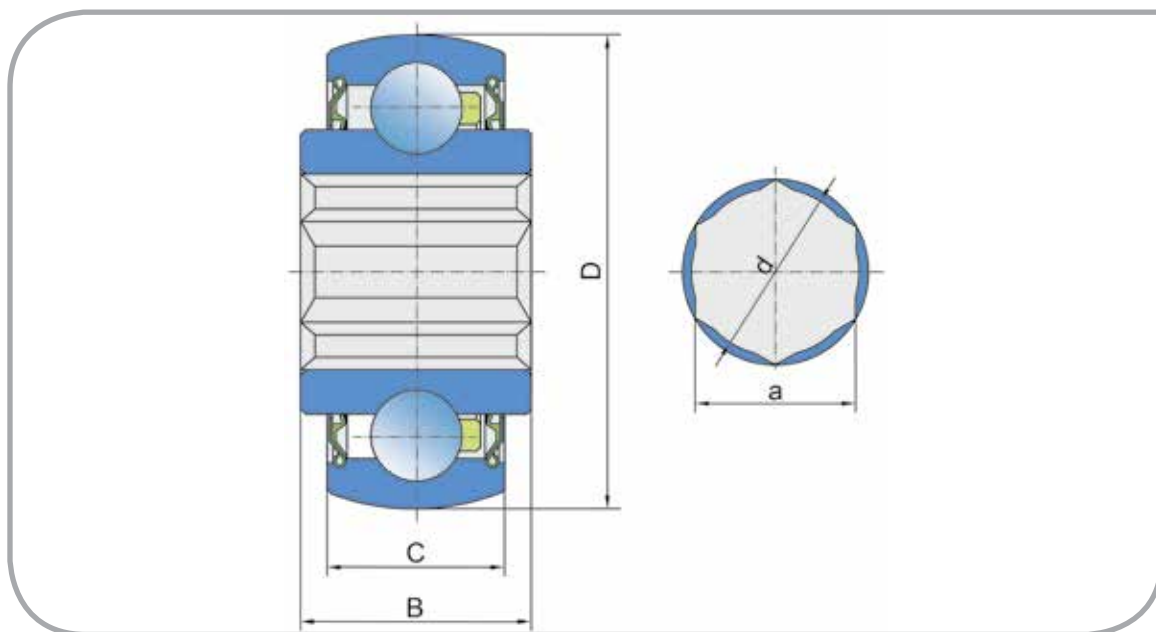


Kuglični ležaj Ball Bearing

210RRB6

UPOREDNE OZNAKE COMPARATIVE DESIGNATION

FKL	210RRB6
BCA	HPS108GPB-I
FAFNIR	210RRB6
INA	210RRB6
JOHN DEERE	AE42880
NTN	SBX10A02LLM
PEER	G210KPPB2
TIMKEN	BP13043-A



Osnovne mere/Dimensions (mm)

a	D	B	C	kg
38,12	90	30	22	0,80

Potencijalno mesto ugradnje i primena:
 Typical Applications:

Kombajn
 Combine

Kuglični ležaj Ball Bearing



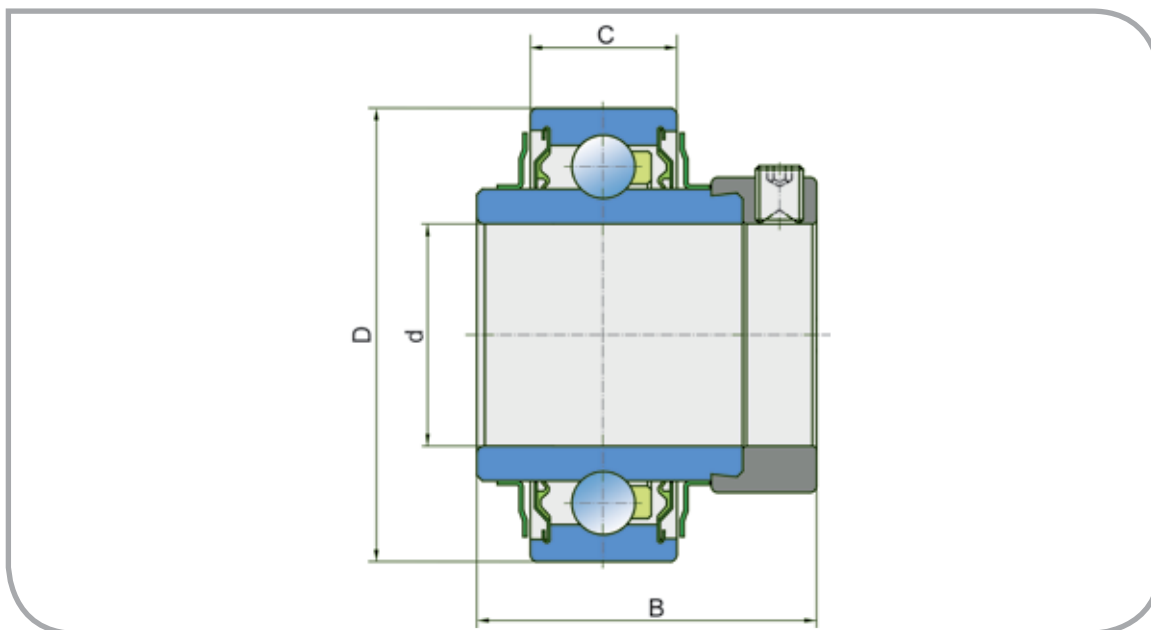
LY 208-108 2F.SH



UPOREDNE OZNAKE COMPARATIVE DESIGNATION

FKL	LY 208-108 2F.SH
FAFNIR	1108KRR SM1108KTS
JOHN DEERE	AE48913 JD9466
KOYO	NA208-24FNOCL
NTN	ARL208-108D1LLSC3 SBX0889/0G-EL

Ležajevi kombajna
Combine Solutions



Osnovne mere/Dimensions (mm)

d	D	B	C	kg
38,1	80	56,3	21	0,8

Potencijalno mesto ugradnje i primena:
Typical Applications:

Kombajn
Combine

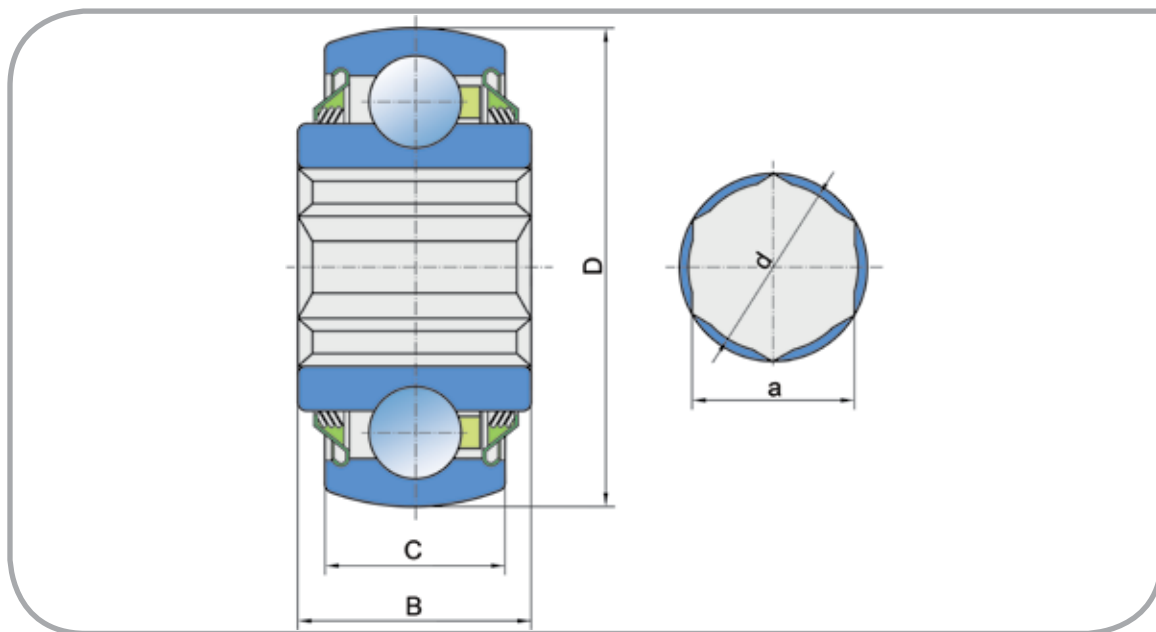


Kuglični ležaj Ball Bearing

W 208PPB16

UPOREDNE OZNAKE COMPARATIVE DESIGNATION

FKL	W 208PPB16
CaseIH	700703101
FAFNIR	W 208PPB16
INA	W 208PPB16
JOHN DEERE	H114873 JD9373
Massey Ferguson	1577800W1
NEW HOLLAND	86523785
PEER	W 208PPB16



Osnovne mere/Dimensions (mm)

a	d	D	B	C	kg
31,78	32,5	80	36,5	18	0,67

Potencijalno mesto ugradnje i primena:
 Typical Applications:

Kombajn
 Combine

Kuglični ležaj Ball Bearing



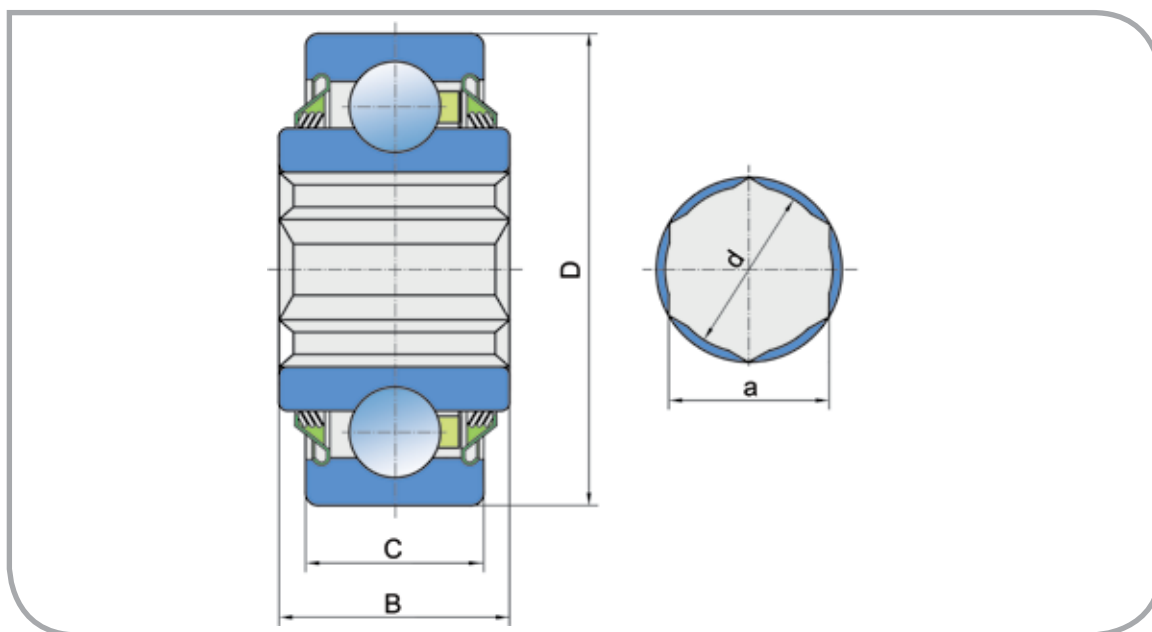
W 208PP16



UPOREDNE OZNAKE COMPARATIVE DESIGNATION

FKL	W 208PP16
BCA	HPC104TPA
FAFNIR	W 208PP21
JOHN DEERE	AE46606
PEER	W 208PP21

Ležajevi kombajna
Combine Solutions

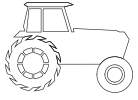


Osnovne mere/Dimensions (mm)

a	d	D	B	C	kg
31,78	32,5	80	36,5	18	0,67

Potencijalno mesto ugradnje i primena:
Typical Applications:

Kombajn
Combine



Ležajna jedinica ARMOR

Bearing Unit ARMOR

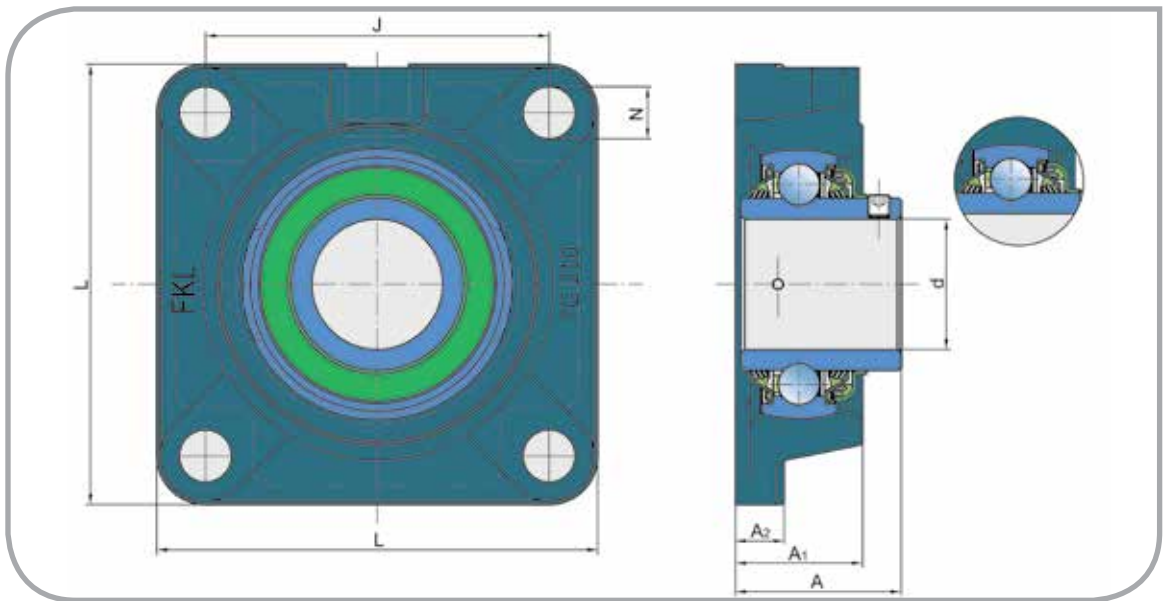
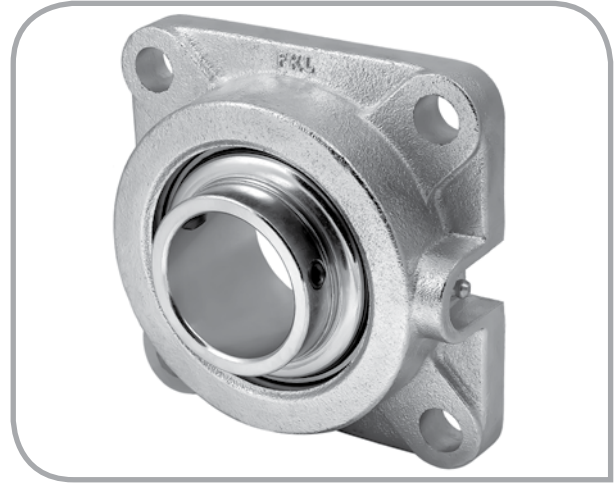
LEFG 210 TDT

UPOREDNE OZNAKE

COMPARATIVE DESIGNATION

FKL LEFG 210 TDT

PEER XD-UCF210-50MM-XB-AP-TLSLU117



Oznaka/Designation	d	Osnovne mere/Dimensions (mm)					A	Masa/Mass kg
		A ₁	A ₂	J	L	N		
LEFG 206 TDT	30	31	13	83	108	16	40,2	1,20
LEFG 207 TDT	35	34	13	92	118	14	44,4	1,45
LEFG 208 TDT	40	36	14	102	130	16	51,2	1,95
LEFG 209 TDT	45	38	16	105	137	16	52,2	2,41
LEFG 210 TDT	50	40	16	111	143	16	54,6	2,78
LEFG 212 TDT	60	48	19	143	175	19	68,5	4,64
LEFG 214 TDT	70	50,3	21,3	152	193	19	70,7	6,20

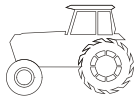
Potencijalno mesto ugradnje i primena:
 Typical Applications:

Specifičnosti/Specificity

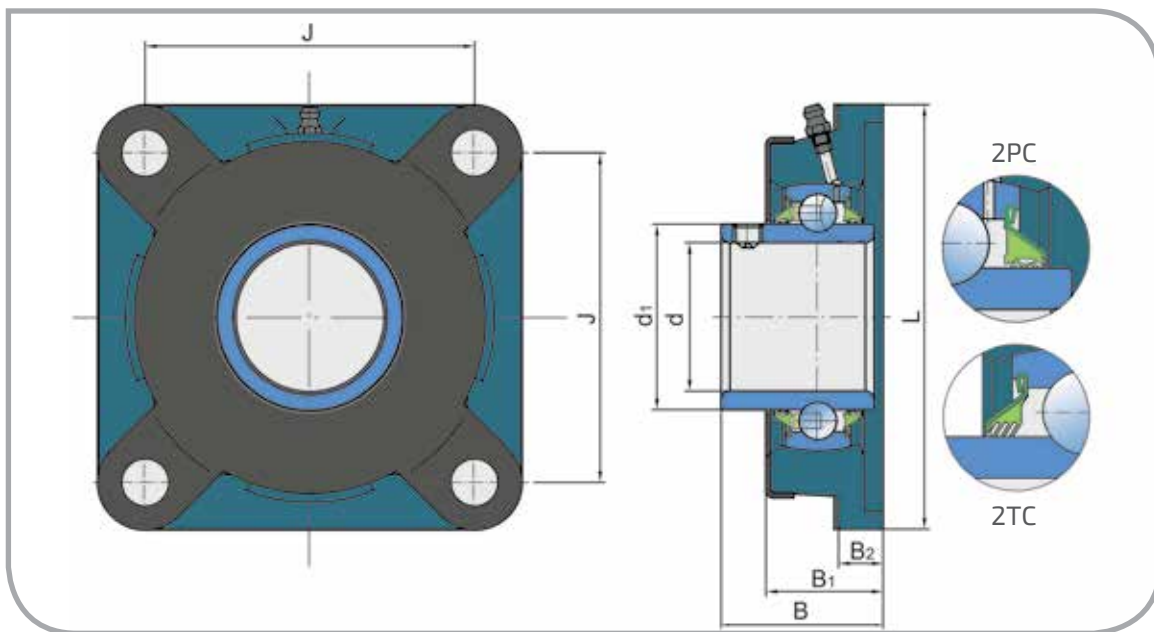
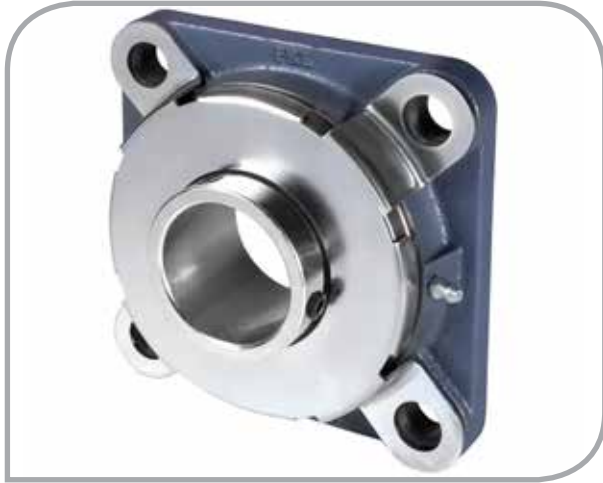
Materijal kućišta: nodularni liv/Housing material: ductile iron
 Zaptivanje: dupla trousna zaptivka/Sealing: double triple lip

Ležajna jedinica sa metalnim poklopcem

Bearing Unit with Metal Sheet Cover



LEFN 210 2PC



Osnovne mere/Dimensions (mm)

	d	d ₁	L	J	N	B	B ₁	B ₂	kg
LEFN 210 2PC	50	62,5	143	111	16	54,6	38	15	2,8
LEFN 210 2PC.H	50	62,5	143	111	16	54,6	38	15	2,8
LEFN 208 2TC.H	40	51,8	130	102	16	51,2	36	14	2,8

Potencijalno mesto ugradnje i primena:
Typical Applications:

Specifičnosti/Specificity

Petousna zaptivka/Five-lip sealing

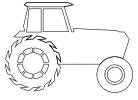
Trousna zaptivka/Three-lip sealing

Materijal kućišta: nodularni liv/Housing material: ductile iron

Zaštitna metalna kapa/Protective metal cap

Bez podmazivanja (H)/Maintenance free (H)

Univerzalna rešenja
Universal Solutions

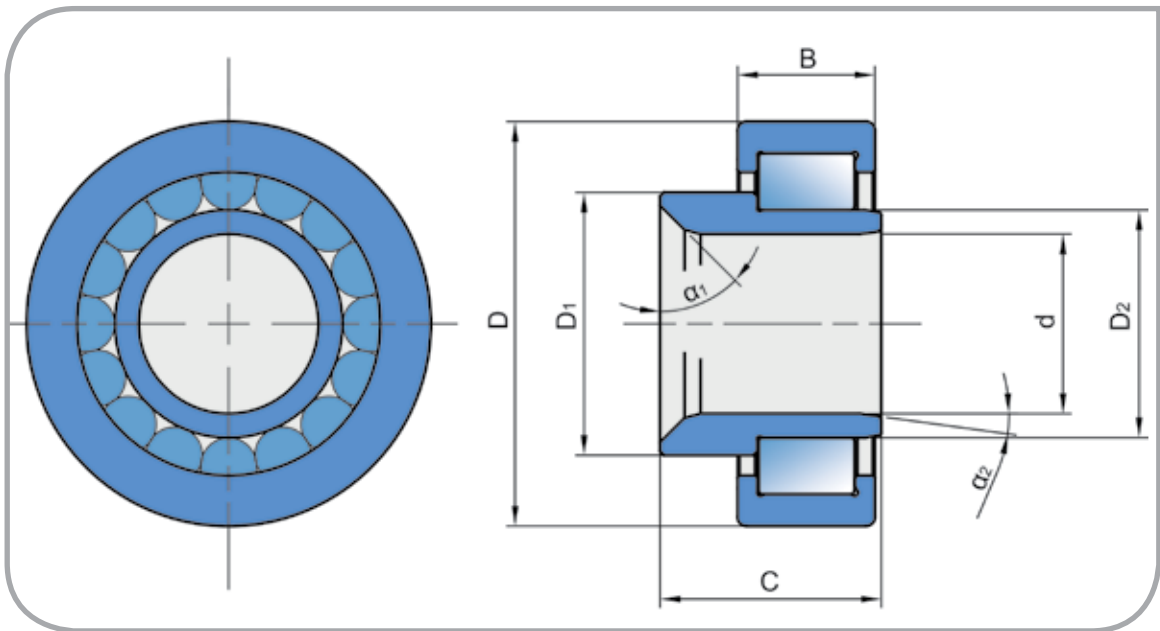


Valjkasti ležaj Cylindrical Roller Bearing

SLV 394681 A1

UPOREDNE OZNAKE COMPARATIVE DESIGNATION

FKL	SLV 394681 A1
CNH	394681A1

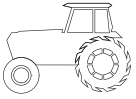


Osnovne mere/Dimensions (mm)

d	D	D ₁	D ₂	B	C	α	α_1	kg
22,205	50	32,5	28,2	17	27,37	45°	15°	0,21

Potencijalno mesto ugradnje i primena:
 Typical Applications:

Poljoprivredne mašine
 Agricultural Machinery



Valjkasti ležaj Cylindrical Roller Bearing

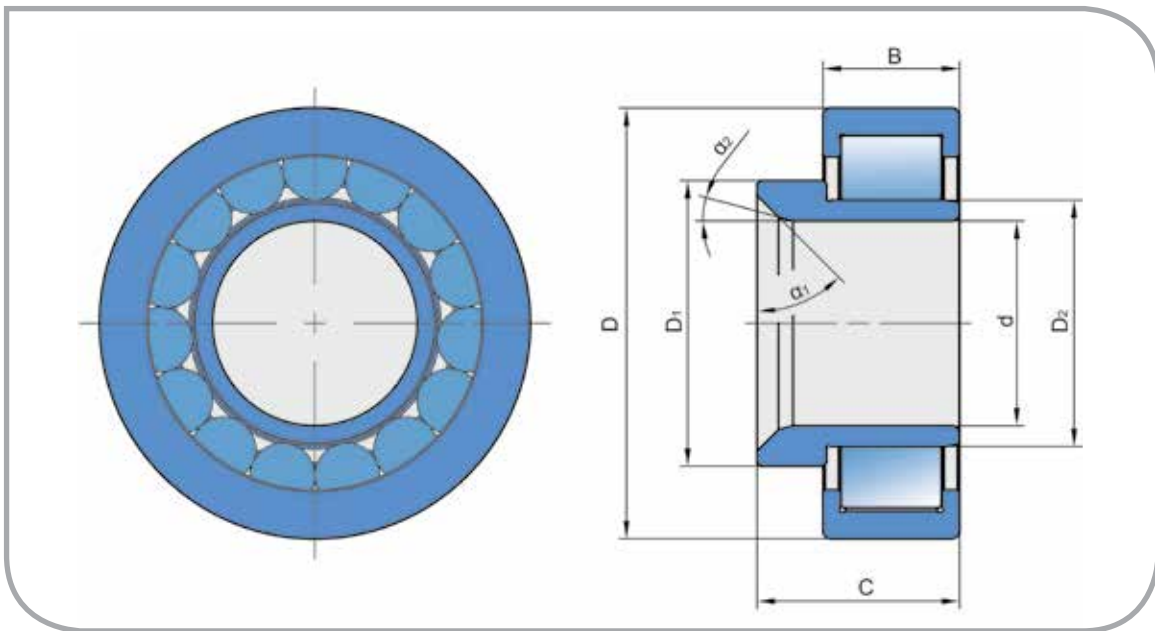
SLV 4639



UPOREDNE OZNAKE COMPARATIVE DESIGNATION

FKL	SLV 4639
CASE	CA008478
CNH	394680A1
NEW HOLLAND	NH006773

Univerzalna rešenja
Universal Solutions



Osnovne mere/Dimensions (mm)

d	D	D ₁	D ₂	B	C	α	α_1	kg
28,555	60	39,75	34,3	19	28,18	45°	15°	0,3

Poljoprivredne mašine
Agricultural Machinery

Potencijalno mesto ugradnje i primena:
Typical Applications:

FKL Disrtibuteri/*FKL Distributors*

AC AGROCENTAR DOO, Slovenia
www.agrocenter-sempeter.eu

AGRIPARTNER, France
www.agripartner.fr

AGRO-ROLL 96 KFT, Hungary
www.agroroll.hu

AGRO AUTO, Montenegro
www.agro-auto.com

AUCKLAND BEARING DISTRIBUTORS LTD,
New Zealand www.aucklandbearings.co.nz

BEARING WAREHOUSE LTD, UK/Ireland
www.bearingwarehouse.co.uk

CELSAN ITALIA S.R.L., Italy

COMPENSA, Austria
www.compesa.at

EKOAL, Bulgaria
www.ekoalbg.com

EL MASRIA FOR TRADING, Egypt/Saudi Arabia
www.elmasria.org

FKL RUS LLC, Russia
www.rusfkl.ru

FKL BY, Belorussia
www.fkl.by

FKL CZECH s.r.o., Czech Republic/Slovakia
www.fkl-czech.cz

FKL PARS, Iran

FKL POLSKA sp.z.o.o.sp.k., Poland/Baltic States
www.fkl-polska.pl

FKL ROMANIA SRL, Romania/Moldova
www.greenland.com.ro

FKL UKRAINE LLC, Ukraine
www.fkl.ua

GORIMPEX, Montenegro

HAGOP GIRAGOS, Syria

HARALD LEITZ INDUSTRIEBEDARF, Germany
www.lietz-industriebedarf.de

IWAH, Benelux Countries
www.iwahbearings.com

JOSMAR, Spain/Portugal
www.rodamientosjosmar.com

KOUIMTZIS SA, Greece
www.kouimtzis.gr

PODSHIPNIK-2007 LLC, Kazakhstan
www.fkl.kz

POINTS DIRECT PTY LTD, Australia
www.pointsdirect.com.au

PORIN LAAKERI OY, Finland
www.nomogroup.fi

S.A. AGRIEST, France
www.agriest.com

SE-KRA DOO, Croatia
www.se-kra.hr

SISA OTOMOTIV DIS TICARET LTD, Iraq

TEMKO DOO, Macedonia

TIVI GROUP LTD, Bulgaria
www.tivigroup.com

UNLU TEKNİK, Turkey
www.unluteknik.com

VULIN DOO, Bosnia and Herzegovina

AGROMARKET DOO, Serbia
www.agromarket021.com

JUSEL DOO, Serbia
www.jusel.com

LAGERTON DOO, Serbia
www.lagerton.com

MAKROM DOO, Serbia

METRO DOO, Serbia
www.metro-doo.com

NEPTUN DOO, Serbia

SET TRADE N&N DOO, Serbia

TENEJ DOO, Serbia
www.tenej.com

Poljoprivredni program prema zahtevu kupca *Customer Tailored Solutions in Agriculture*



www.fkl-serbia.com



KATALOG
CATALOGUE

Izdanje 2018.
Edition 2018.

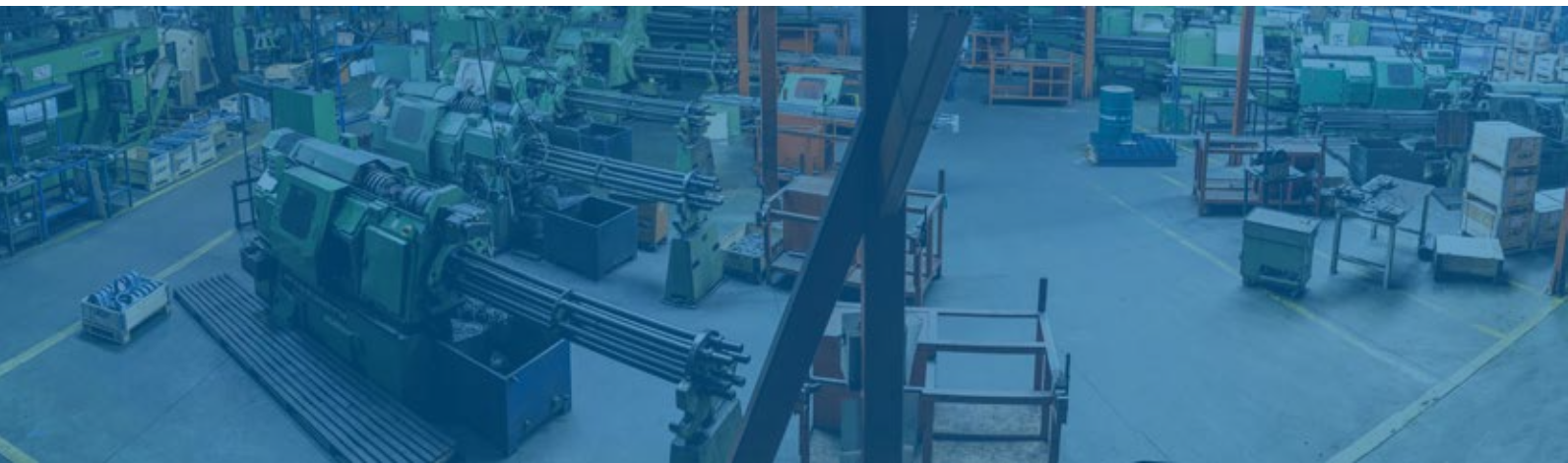
Copyright © 2018 FKL. All rights reserved.

These contents are the copyright of the publisher and may not be reproduced, in total or partially, without express consent of the publisher. Every precautions were taken to ensure the accuracy of the information in this publication but no liability can be accepted for any errors or omissions. Prepared in Factory of rolling bearings and cardan shafts Temerin, Serbia

Editor in Chief: Laslo Koman, *B. Sc. Mechanical Enginner*

Copy Editor: Zoran Jandrić, *B. Sc. Mechanical Enginner*; Biljana Obrenović, *Master in Mechanical Engineer*

Photos, Layout and Prepress: Jasenka Martinović and Monja Madić, *Master in Graphic Engineer and Design*



Fabrika kotrljajućih ležajeva i kardana
Factory of Rolling Bearings and Cardan Shafts

Industrijska zona bb
21235 Temerin
SRBIJA

Šef prodaje +381 21 6841 222
Domaća prodaja +381 21 6841 187
+381 11 3610 833

*Industrial zone bb
21235 Temerin
SERBIA*

*Head of Sales +381 21 6841 222
Foreign Markets +381 21 6841 190
+381 21 6841 205
+381 21 6841 201*

sales@fkl-serbia.com
prodaja@fkl-serbia.com
marketing@fkl-serbia.com

www.fkl-serbia.com

Edition 2018